

INCOMING POWER
PLEASE CHECK MOTOR DATA STICKER
FOR PROPER OPERATING VOLTAGE.

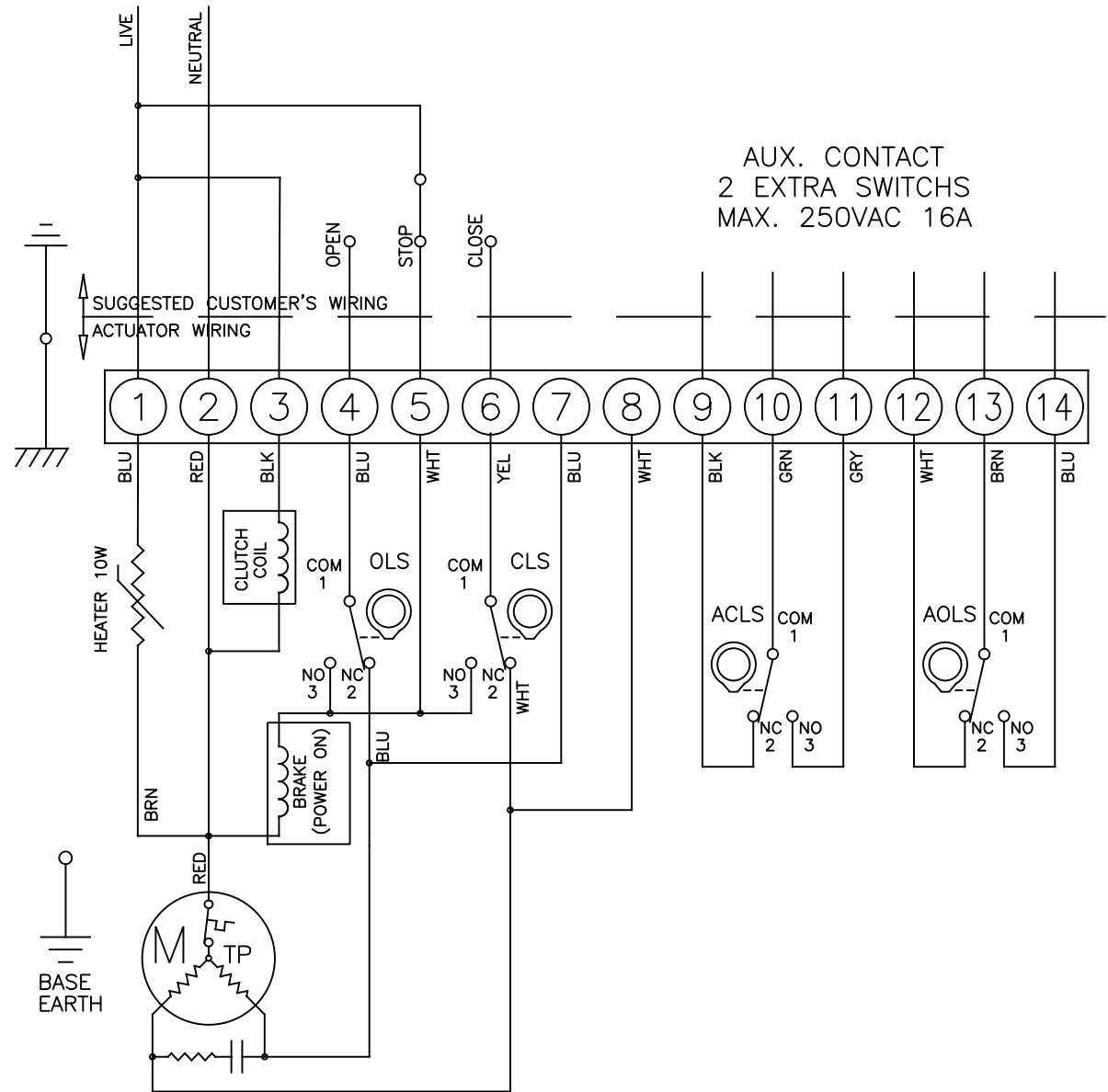
LIMIT SWITCH OPERATION			
SWITCH	CLOSE ←	INTERMEDIATE	→ OPEN
CLS 1-2			
CLS 1-3			
OLS 1-2			
OLS 1-3			
ACLS1-2			
ACLS1-3			
AOLS1-2			
AOLS1-3			

SYMBOL	DESCRIPTION	RATING
ACLS	AUX. CLOSE LIMIT SWITCH (TOP)	250VAC 15A
CLS	CLOSE LIMIT SWITCH	250VAC 15A
AOLS	AUX. OPEN LIMIT SWITCH	250VAC 15A
OLS	OPEN LIMIT SWITCH (BOT)	250VAC 15A

*EACH ACTUATOR SHOULD BE POWERED THROUGH IT'S OWN INDIVIDUAL SWITCH OR RELAY CONTACTS TO PREVENT CROSS FEED BETWEEN TWO OR MORE ACTUATORS.

Operation Notes:

1. Power to terminal 2 & 4 will drive motor CCW. Brake energizes when NO of OLS closes to hold actuator in CCW position.
2. Power to terminal 2 & 6 will drive motor CW. Brake energizes when NO of CLS closes to hold actuator in CW position.
3. Power to terminal 2 & 5 will energize brake and hold actuator in intermediate STOP position.
4. Power to terminal 2 & 3 will energize clutch coil. Loss of power will release spring clutch and return actuator to fail position (limited by adjustable stop).



AUX. CONTACT
2 EXTRA SWITCHS
MAX. 250VAC 16A



9955 INTERNATIONAL BLVD.
CINCINNATI, OHIO 45246
PHONE: (513) 247-5465
FAX: (513) 247-5462

DO NOT SCALE DRAWING

TOLERANCE UNLESS OTHERWISE SPECIFIED:
TWO PLACE DECIMAL
DIM. ±0.02
THREE PLACE DECIMAL
DIM. ±0.010
ANGULAR DIM. ±0°-30'

DRAWN BY	KJS	CHECKED BY	TEM	RELEASED BY	TEM
DATE	02/24/20	DATE	02/27/20	DATE	02/27/20

DESCRIPTION
SRX-0600 110/220 VAC 1 PH WIRING DIAGRAM

HEAT #

SHEET 1 of 1

MATERIAL

DRAWING NO.
SE01679

REVISION

THE DESIGN AND DISCLOSURE CONTAINED IN THIS DRAWING WAS ORIGINATED BY, AND IS EXCLUSIVE PROPERTY OF A-T CONTROLS, INC. IT IS FURNISHED FOR VENDOR INFORMATION ONLY AND IS NOT AN AUTHORIZATION OR LICENSE TO MAKE THIS CONSTRUCTION OR TO FURNISH THIS INFORMATION TO OTHERS. ALL DRAWINGS MUST BE RETURNED TO A-T CONTROLS, INC. ON DEMAND. THIS DRAWING IS NOT TO BE REPRODUCED OR COPIED IN ANY FORM WITHOUT THE EXPRESS WRITTEN PERMISSION OF A-T CONTROLS, INC.