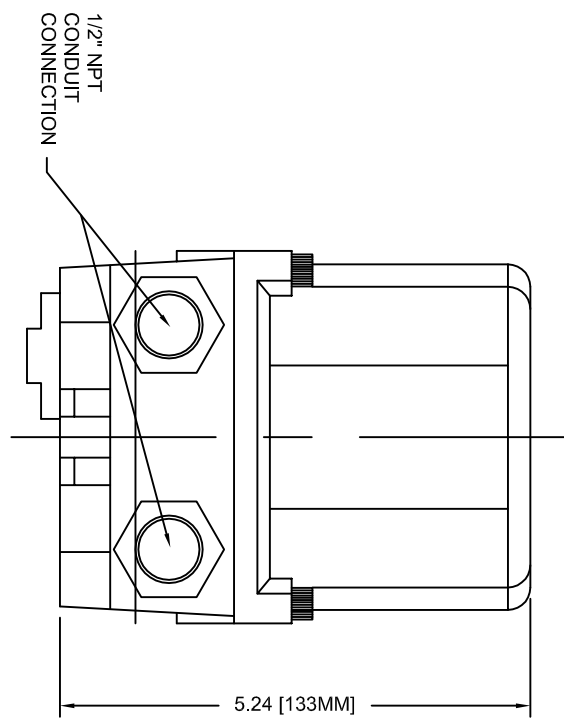
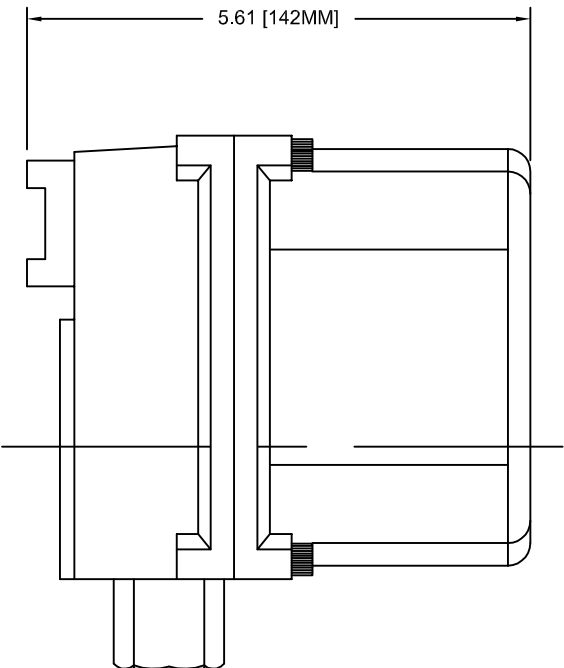


ENCLOSURE: IP65  
 TORQUE: 500 IN-LBS  
 CYCLE TIME: 13 SEC  
 MOUNTING FLANGE: F03 / F05 / F07



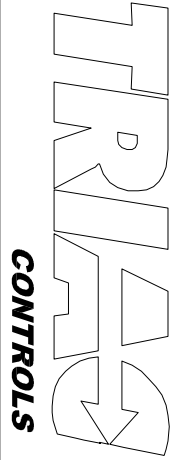
THE DESIGN AND DISCLOSURE CONTAINED IN THIS DRAWING WAS ORIGINATED BY, AND IS EXCLUSIVE PROPERTY OF A-T CONTROLS, INC. IT IS FURNISHED FOR VENDOR INFORMATION ONLY AND IS NOT AN AUTHORIZATION OR LICENSE TO MAKE THIS CONSTRUCTION OR TO FURNISH THIS INFORMATION TO OTHERS. ALL DRAWINGS MUST BE RETURNED TO A-T CONTROLS, INC. ON DEMAND. THIS DRAWING IS NOT TO BE REPRODUCED OR COPIED IN ANY FORM WITHOUT THE EXPRESS WRITTEN PERMISSION OF A-T CONTROLS, INC.

DATE	BY	DESCRIPTION
11/12/03	SAH	REVISED

TITLE: TRIAC WE-500 ELECTRIC ACTUATOR  
 TWO POSITION (OPEN / CLOSE)



TOLERANCE UNLESS OTHERWISE SPECIFIED:  
 TWO PLACE DECIMAL  
 DIM. .010  
 THREE PLACE DECIMAL  
 DIM. .010  
 ANGULAR DIM. .5°-30°  
 DO NOT SCALE DRAWINGS



Division of A-T Controls, Inc.  
 11363 Deerfield Road  
 Cincinnati, Ohio 45242  
 Phone: (513) 247-5465  
 Fax: (513) 247-5462

ECN#	DATE	BY