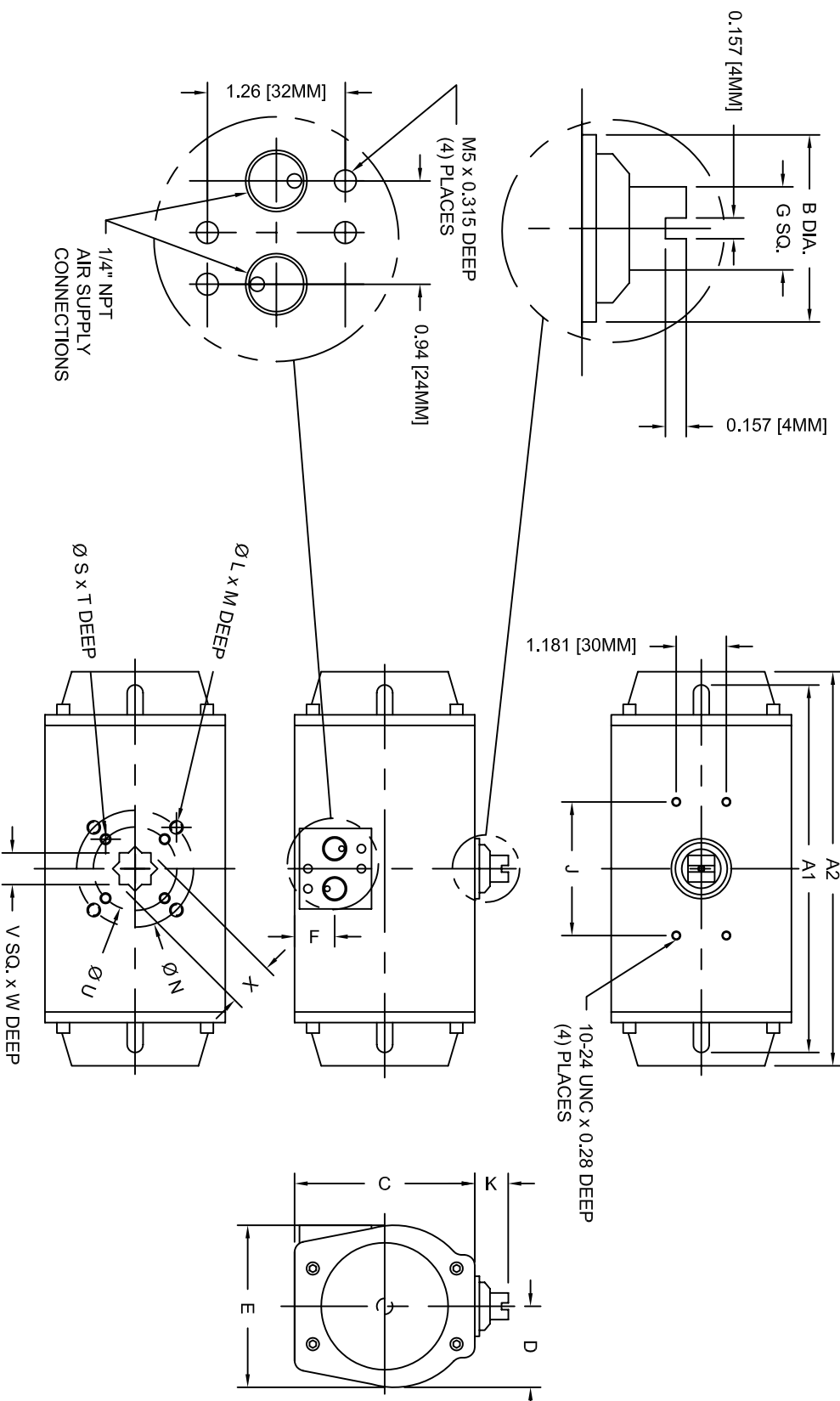


Actuator Size	DA	A1	A2	B	C	D	E	F	G	J	K	L	M	N	S	T	U	V	W	X
SS45	6.54	7.56	1.22	2.56	1.15	2.56	0.83	0.633	0.633	3.15	0.787	1/4-20UNC	0.39	1.969	10-24UNC	0.28	1.417	0.433	0.58	0.766
SS60	7.00	7.34	1.22	3.18	1.39	2.92	0.91	0.632	3.15	0.787	N/A	N/A	N/A	1/4-20UNC	0.39	1.969	0.551	0.59	0.600	
SS85	7.81	8.37	1.22	4.24	1.91	3.97	0.94	0.635	3.15	0.787	5/16-18UNC	0.47	2.756	1/4-20UNC	0.39	1.969	0.748	0.66	1.041	
SS105	9.91	10.53	1.34	5.23	2.29	4.75	1.18	0.629	3.15	0.787	N/A	N/A	N/A	5/16-18UNC	0.47	2.756	0.866	0.97	1.190	
SS125	11.66	12.20	1.97	6.09	2.69	5.39	1.18	0.865	5.12	1.181	3/8-16UNC	0.63	4.016	5/16-18UNC	0.47	2.756	0.866	0.97	1.190	
SS140	14.17	19.29	1.97	6.89	3.11	6.26	1.37	0.865	5.12	1.181	1/2-13UNC	0.79	4.921	3/8-16UNC	0.63	4.016	1.063	1.18	1.470	
SS160	14.56	22.05	1.97	7.72	3.74	6.85	1.30	0.865	5.12	1.181	1/2-13UNC	0.79	4.921	3/8-16UNC	0.63	4.016	1.063	1.18	1.470	
SS210	16.06	24.57	-----	10.16	5.51	9.45	2.95	-----	5.12	1.181	N/A	N/A	N/A	5/8-11UNC	0.87	5.512	1.417	1.58	1.970	



THE DESIGN AND DISCLOSURE CONTAINED IN THIS DRAWING WAS ORIGINATED BY AND IS EXCLUSIVE PROPERTY OF A-T CONTROLS, INC. IT IS FURNISHED FOR VENDOR INFORMATION ONLY AND IS NOT AN AUTHORIZATION, OR LICENSE TO MAKE THIS CONSTRUCTION OR TO FURNISH THIS INFORMATION TO OTHERS. ALL DRAWINGS MUST BE RETURNED TO A-T CONTROLS, INC. ON DEMAND. THIS DRAWING IS NOT TO BE REPRODUCED OR COPIED IN ANY FORM WITHOUT THE EXPRESS WRITTEN PERMISSION OF A-T CONTROLS, INC.

ECN#	DATE	BY
289	08/01/05	SAH
238	01/18/05	SAH
175	05/06/04	BAG
152	03/17/04	BAG

**TRIP**  
**CONTROLS**

Division of A-T Controls, Inc.  
 11363 Deerfield Road  
 Cincinnati, Ohio 45242  
 Phone: (513) 247-5465  
 Fax: (513) 247-5462

FORM	DATE	CHECKED BY	DATE
BAG	01/30/04		
APPROVED	DATE		

TITLE: TRIAC STAINLESS STEEL RACK & PINION ACTUATOR

TOLERANCE UNLESS OTHERWISE SPECIFIED:  
 TWO PLACE DECIMAL  
 DIM. #0.02  
 THREE PLACE DECIMAL  
 DIM. #0.010  
 ANGULAR DIM. #0°-30°  
 DO NOT SCALE DRAWINGS