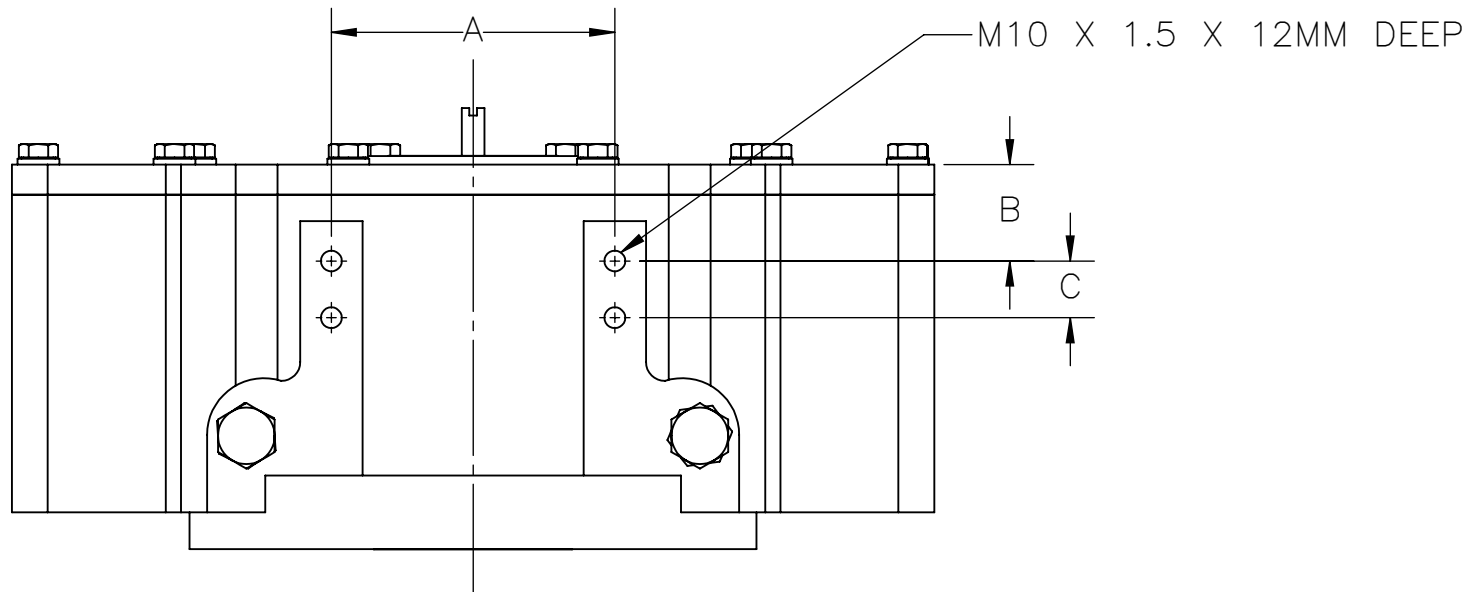


MODEL	A	B	C
S09	3.543	2.480	1.181
S11	5.906	2.008	1.181
S13	5.906	2.520	1.181
S16	6.693	2.205	1.181
S20	6.693	2.283	1.181
S27	6.693	3.543	1.181



9955 INTERNATIONAL BLVD.  
CINCINNATI, OHIO 45246  
PHONE: (513) 247-5465  
FAX: (513) 247-5462

DRAWN BY BDS

CHECKED BY CHS

RELEASED BY CHS

SHEET 1 of 1

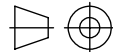
DATE 07/24/17

DATE 07/26/17

DATE 07/26/17

MATERIAL

DO NOT SCALE DRAWING



DESCRIPTION

THD SIDE ACCESSORY MOUNTING HOLES REVISED 2017

DRAWING NO.

P02505

REVISION

THE DESIGN AND DISCLOSURE CONTAINED IN THIS DRAWING WAS ORIGINATED BY, AND IS EXCLUSIVE PROPERTY OF A-T CONTROLS, INC. IT IS FURNISHED FOR VENDOR INFORMATION ONLY AND IS NOT AN AUTHORIZATION OR LICENSE TO MAKE THIS CONSTRUCTION OR TO FURNISH THIS INFORMATION TO OTHERS. ALL DRAWINGS MUST BE RETURNED TO A-T CONTROLS, INC. ON DEMAND. THIS DRAWING IS NOT TO BE REPRODUCED OR COPIED IN ANY FORM WITHOUT THE EXPRESS WRITTEN PERMISSION OF A-T CONTROLS, INC.