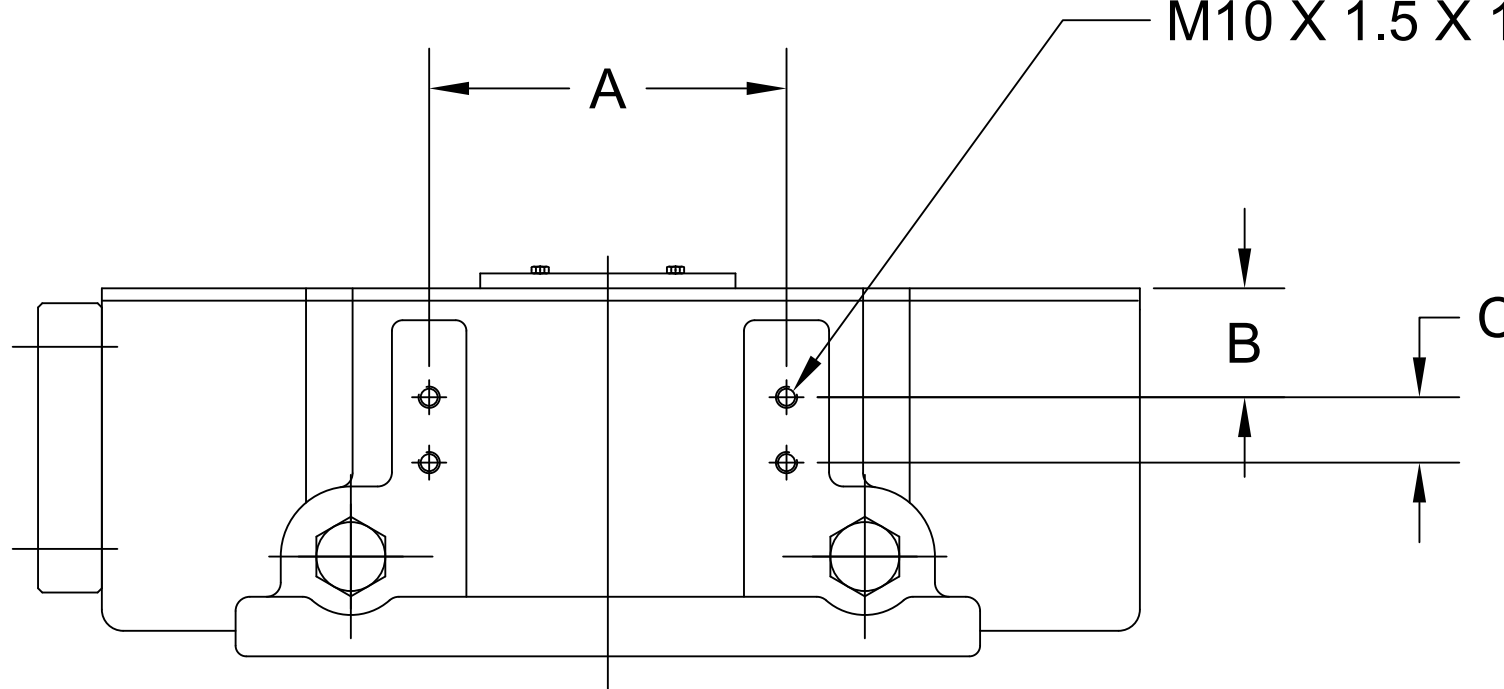


MODEL	A	B	C
S09	3.543	2.362	1.417
S11	6.457	1.968	1.181
S13	5.906	1.968	1.181
S16	6.693	2.205	1.181
S20	6.693	2.323	1.181
S27	7.480	2.559	1.181

M10 X 1.5 X 12MM DEEP



THE DESIGN AND DISCLOSURE CONTAINED IN THIS DRAWING WAS ORIGINATED BY, AND IS EXCLUSIVE PROPERTY OF A-T CONTROLS, INC. IT IS FURNISHED FOR VENDOR INFORMATION ONLY AND IS NOT AN AUTHORIZATION -OR- LICENSE TO MAKE THIS CONSTRUCTION OR TO FURNISH THIS INFORMATION TO OTHERS. ALL DRAWINGS MUST BE RETURNED TO A-T CONTROLS, INC. ON DEMAND. THIS DRAWING IS NOT TO BE REPRODUCED OR COPIED IN ANY FORM WITHOUT THE EXPRESS WRITTEN PERMISSION OF A-T CONTROLS, INC.



Division of A-T Controls, Inc.
 11363 Deerfield Road
 Cincinnati, Ohio 45242
 Phone: (513) 247-5465
 Fax: (513) 247-5462

DRAWN CHS	CHECKED BY DWW	APPROVED
DATE 01/05/2010	DATE 01/05/2010	DATE
TITLE THD SIDE ACCESSORY MOUNTING HOLES		

TOLERANCE UNLESS OTHERWISE SPECIFIED:
 TWO PLACE DECIMAL
 DIM. 0.02
 THREE PLACE DECIMAL
 DIM. 0.010
 ANGULAR DIM. 0°-30°
 DO NOT SCALE DRAWINGS

ECN	DATE	BY
ECN#	DATE	BY