

# Air Filter Regulator



**TRIAO** air filter regulator FR-10 is a quality unit essential to protect positioners, solenoid valves, and actuators from dirt, foreign particles, and moisture and to provide constant and reliable control under variable flow rates and supply pressures

## FEATURES

- Stable setting pressure for constant output pressure
- Corrosion-resistant construction
- High capacity 5 micron filter
- Self-relief function for balance of output and setting pressures
- High flow capacity

## SPECIFICATIONS

Port size	1/4" NPT
Fluid	Air
Output range	0...8bar (120psi)
Max. Supply pressure	15bar (225psi)
Ambient and fluid temperature	Max. 70°C... (no freezing)
Gauge port size	1/8" NPT
Filtration	5 Micron
Pressure gauge material	Stainless steel
Body material	Aluminum diecast
Weight (kg)	0.4 (with pressure gauge)

**FR-10**

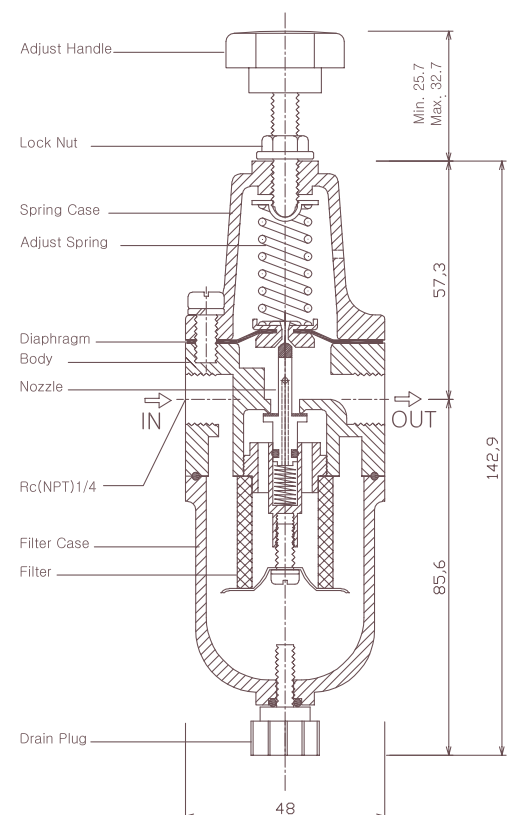


## HOW TO ORDER

<b>FR-10</b>	Pressure Gauge	Mounting Bracket
--------------	----------------	------------------

Description	Code
- Port Size	1/4" NPT
- Pressure Gauge	None G: 10bar (150psi)
- Color	Black
- Mounting Bracket	None B: L-type

## INTERNAL VIEW AND DIMENSIONS



11363 Deerfield Road  
Cincinnati, Ohio 45242  
Phone: 513.247.5465  
Fax: 513.247.5462