



Series P1

DIRECT MOUNT PIGGABLE VALVE

Sizes 2" - 4" (CF for 6")

Available in 316SS

SCH 10 Pipe Diameter

Flanged or Socket Weld Ends

ANSI Class 150

ISO 5211 Direct Actuator Mount

Blowout Proof Stem w/ Dual
Anti-Static Devices

PTFE Seats Standard

Pyramidal Stem Seal Packing
System

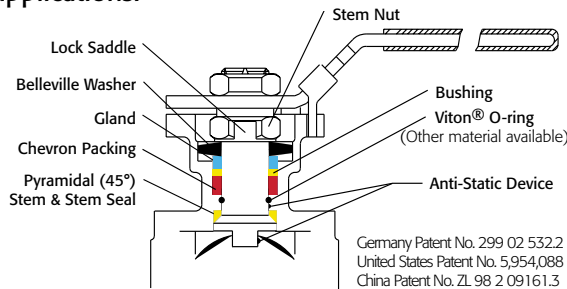
Lockable Manual Handle

STANDARDS

DESIGN	ANSI/ASME B16.34
FITTINGS	ASME B16.11
FLANGE DIMENSIONS	ASME 16.5, ANSI Class 150
PRESSURE TESTING	API 598
MOUNTING	ISO 5211
MARKING SYSTEM FOR VALVES	ISO 5209
MATERIAL CERTIFICATION	EN 10204-3.1 MTR
QUALITY ASSURANCE	ISO 9001:2008



This unique three piece stainless steel valve is specifically designed for pigging applications in SCH 10 pipes. The valve has a full SCH 10 pipe inside diameter to facilitate the passing of a pipe pig to efficiently clean the line between various production batches. The "P1" valve also possesses the A-T Controls patented Pyramidal stem seal and direct mount automation design. This ensures an extended life cycle with minimum repair interruptions for both manual and automated applications.



VALVE SIZE	VALVE Cv	VALVE SIZE	SW (lbs.)	Class 150 (lbs.)
2"	451	2"	15	25
3"	1,070	3"	34	49
4"	1,790	4"	68	92

Easy to Automate!

See automated data sheets for pre-sized assemblies



Pneumatic

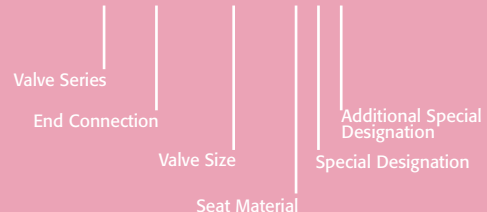


Electric

HOW TO ORDER MANUAL VALVES

SAMPLE PART #

P1-F1-0400-PXX



See part number matrix for itemized options

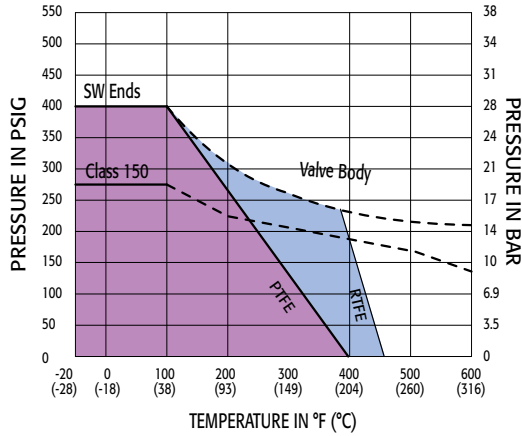
Series P1

Direct Mount SCH 10 Pipe Diameter ANSI Class 150

MATERIALS LIST

NO.	PART NAME	2" QTY	3" QTY	4" QTY	MATERIAL
1	BODY	1	1	1	ASTM A351 GRADE CF8M
2	FLANGED END CAP	2	2	2	ASTM A351 GRADE CF8M
2	SW END CAP	2	2	2	ASTM A351 GRADE CF3M
3	BALL	1	1	1	ASTM A351 GRADE CF8M
4	SEAT RING	2	2	2	ASTM A351 GRADE CF8M
5	SEAT	2	2	2	PTFE
6	JOINT GASKET	2	2	2	PTFE
7	STEM SEAL	1	1	1	RTFE
8	STEM	1	1	1	ASTM A276 316SS
9	GLAND PACKING	1	1	1	PTFE
10	GLAND	1	1	1	AISI 304
11	LOCK SADDLE	1	1	1	AISI 304
12	STEM NUT	2	1	1	AISI 304
13	HANDLE	1	1	1	AISI 304
14	HANDLE SLEEVE	1	1	1	VINYL
15	STEM WASHER	1	-	-	AISI 304
16	BODY STUD	4	8	12	2" - ASTM A193 GRADE B8 3-4" - AISI 304
17	NUT	8	-	-	ASTM A194 GRADE 8
18	STUD WASHER	8	-	-	AISI 304
19	BELLEVILLE WASHERS	2	2	2	AISI 301
20	STOP PIN	1	1	1	AISI 304
21	STOP PIN NUT	1	1	1	AISI 304
22	HANDLE LOCK	1	1	1	AISI 304
23	O-RING	1	1	1	VITON®
24	STOP PIN WASHER	1	-	-	AISI 304
25	ANTI-STATIC DEVICE	2	2	2	AISI 316
26	GLAND WASHER	1	1	1	RTFE
27	HANDLE BOLT	-	2	2	AISI 304
28	HANDLE BAR	-	1	1	AISI 304
29	HANDLE HUB	-	1	1	AISI 304

Pressure vs. Temperature Chart

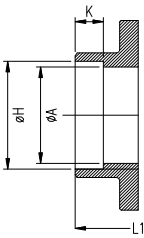


NOTE: Dotted line shows the rating for valve body. Solid line shows the rating for valve seat. Both ratings need to be considered when determining the limitation of the valve for specific application. Consult factory for other seat materials.

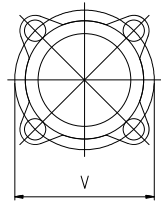
Break Away Torques for PTFE Seats (In-Lbs)

PSID	100	150	400
2"	300	500	600
3"	700	950	1,200
4"	1,100	1,800	2,100

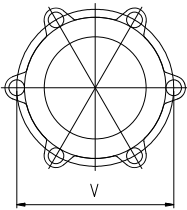
NOTE: Torques includes 25% safety. Torques tested with clean fluid.



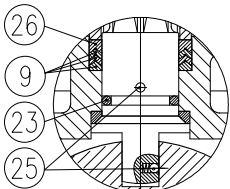
SOCKET WELD END



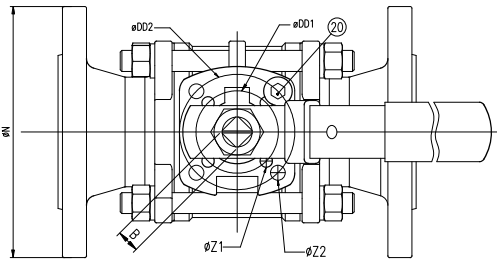
2-3"



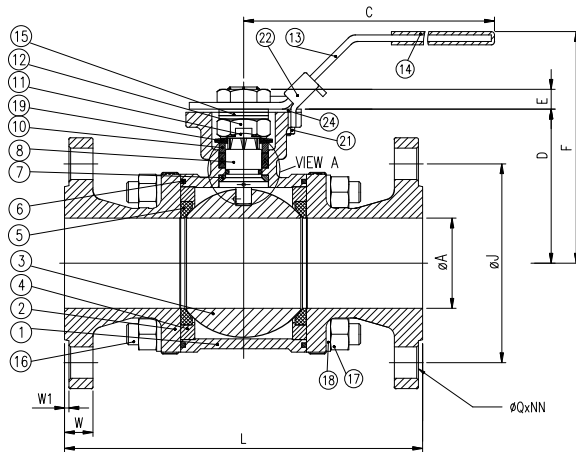
4"



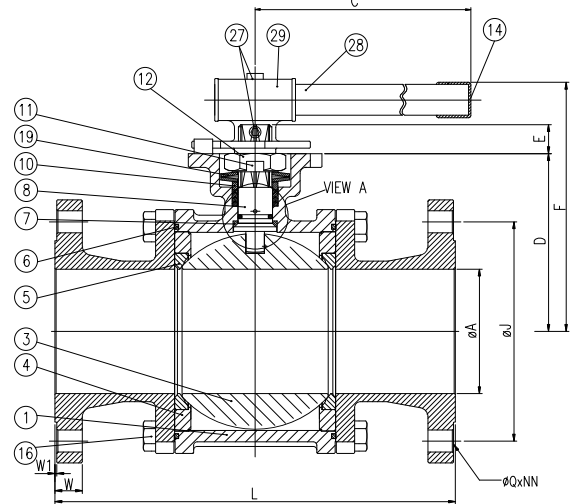
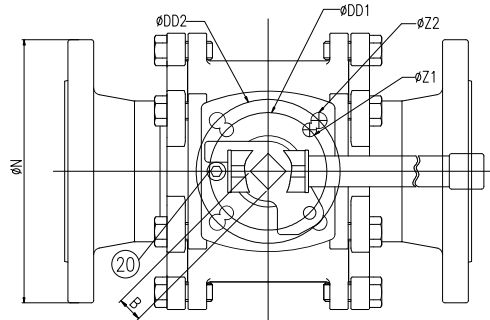
VIEW A



2" Series P1



3-4" Series P1



DIMENSIONS (IN)

SIZE	A	B	C	D	E	F	H	J	K	L	LI	N	Q	V	W	W1	Z1	Z2	DD1	DD2	NN	ISO 5211
2"	2.16	0.551	8.46	3.61	0.53	5.55	2.41	4.75	0.63	8.42	5.91	6.00	0.75	4.80	0.64	0.06	0.30	0.35	1.969	2.756	4	F05/F07
3"	3.26	0.748	15.63	4.79	0.70	7.17	3.54	6.00	0.63	10.30	7.48	7.50	0.75	6.46	0.77	0.06	0.39	0.47	2.756	4.016	4	F07/F10
4"	4.26	0.866	20.08	6.46	0.91	9.06	4.55	7.50	0.79	13.70	9.84	9.00	0.75	8.27	0.94	0.06	0.47	0.55	4.016	4.921	8	F10/F12