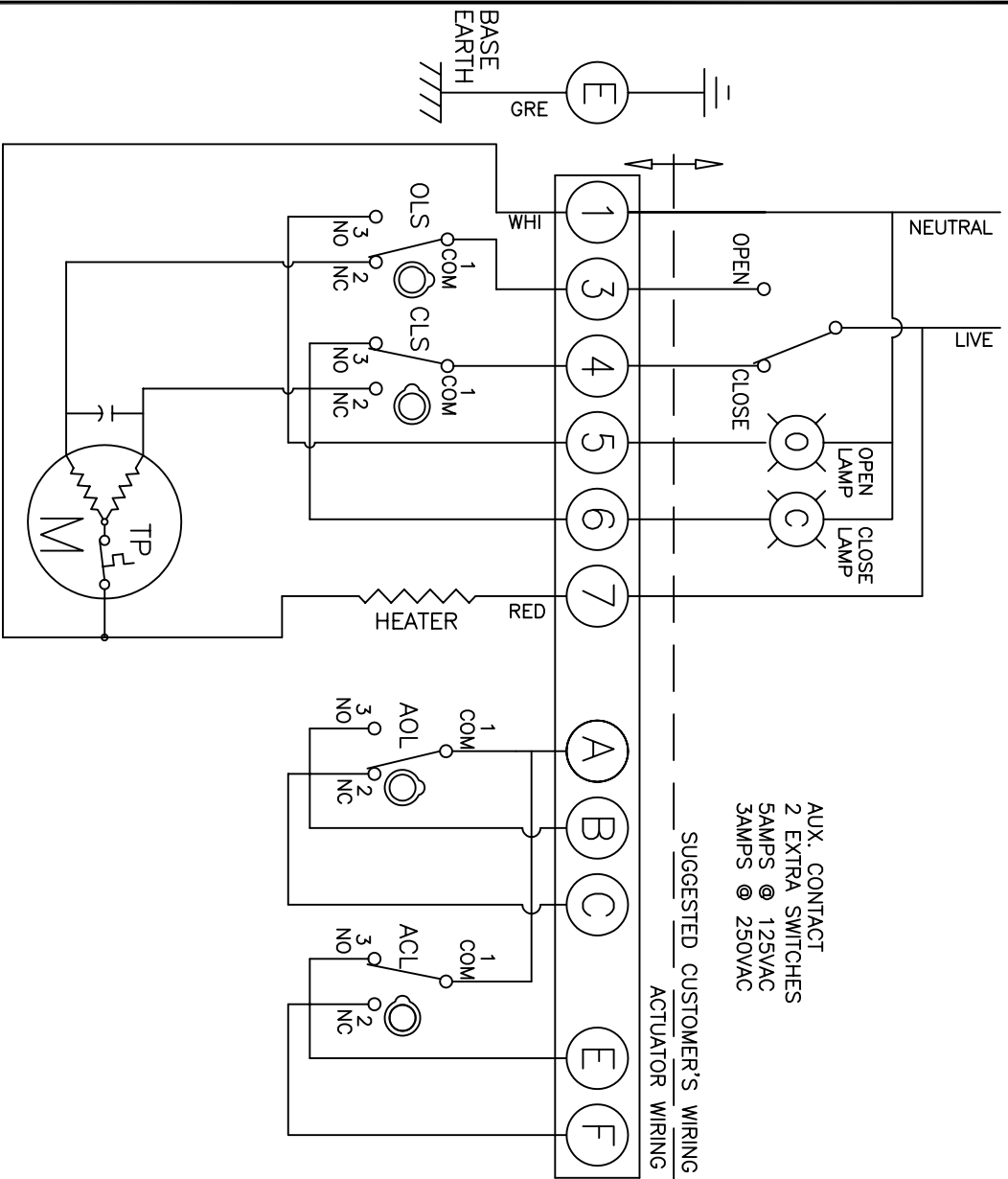


115VAC/220VAC  
1 PHASE



AUX. CONTACT  
2 EXTRA SWITCHES  
5AMPS @ 125VAC  
3AMPS @ 250VAC

SUGGESTED CUSTOMER'S WIRING  
ACTUATOR WIRING

SWITCH	OPERATION	RATING
ACL 1-2	CLOSE → INTERMEDIATE → OPEN	250VAC 3A
ACL 1-3		250VAC 3A
AOL 1-2		250VAC 3A
AOL 1-3		250VAC 3A
CLS 1-2		250VAC 3A
CLS 1-3		250VAC 3A
OLS 1-2		250VAC 3A
OLS 1-3		250VAC 10A

SYMBOL	DESCRIPTION	RATING
CLS	CLOSE LIMIT SWITCH	250VAC 3A
OLS	OPEN LIMIT SWITCH	250VAC 3A
ACL	AUX. CLOSE LIMIT SWITCH	250VAC 3A
AOL	AUX. OPEN LIMIT SWITCH	250VAC 3A
TP	THERMAL PROTECTOR	250VAC 10A

\*EACH ACTUATOR SHOULD BE POWERED THROUGH IT'S OWN INDIVIDUAL SWITCH OR RELAY CONTACTS TO PREVENT CROSS FEED BETWEEN TWO OR MORE ACTUATORS.

THE DESIGN AND DISCUSSION CONTAINED IN THIS DRAWING WAS ORIGINATED BY AND IS EXCLUSIVE PROPERTY OF A-T CONTROLS, INC. IT IS FURNISHED FOR VENDOR INFORMATION ONLY AND IS NOT AN AUTHORIZATION OR LICENSE TO MAKE THIS CONSTRUCTION OR TO FURNISH THIS INFORMATION TO OTHERS. ALL DRAWINGS MUST BE RETURNED TO A-T CONTROLS, INC. ON DEMAND. THIS DRAWING IS NOT TO BE REPRODUCED OR COPIED IN ANY FORM WITHOUT THE EXPRESS WRITTEN PERMISSION OF A-T CONTROLS, INC.

ECN#	DATE	BY

**TRIP CONTROLS**

Division of A-T Controls, Inc.  
11363 Deerfield Road  
Cincinnati, Ohio 45242  
Phone: (513) 247-5465  
Fax: (513) 247-5462

DATE	BY	DESCRIPTION
12/15/03	SAH	TWO POSITION WIRING DIAGRAM

TOLERANCE UNLESS OTHERWISE SPECIFIED:  
TWO PLACE DECIMAL  
DIM. ±0.02  
THREE PLACE DECIMAL  
DIM. ±0.010  
ANGULAR DIM. ±0°-30'  
DO NOT SCALE DRAWINGS