

**PNEUMATIC OR NORMAL OPERATION**

INSURE DECLUTCH LEVER IS ROTATED DOWN TOWARDS VALVE AND PIN "A" IS FIRMLY SEATED AGAINST THE BODY. THE BLOCK AND BLEED OPERATION KNOB SHOULD BE PUSHED IN SO THAT THE LOCKOUT HOLE IN THE STEM IS NOT VISIBLE

**MANUAL OVERRIDE OPERATION**

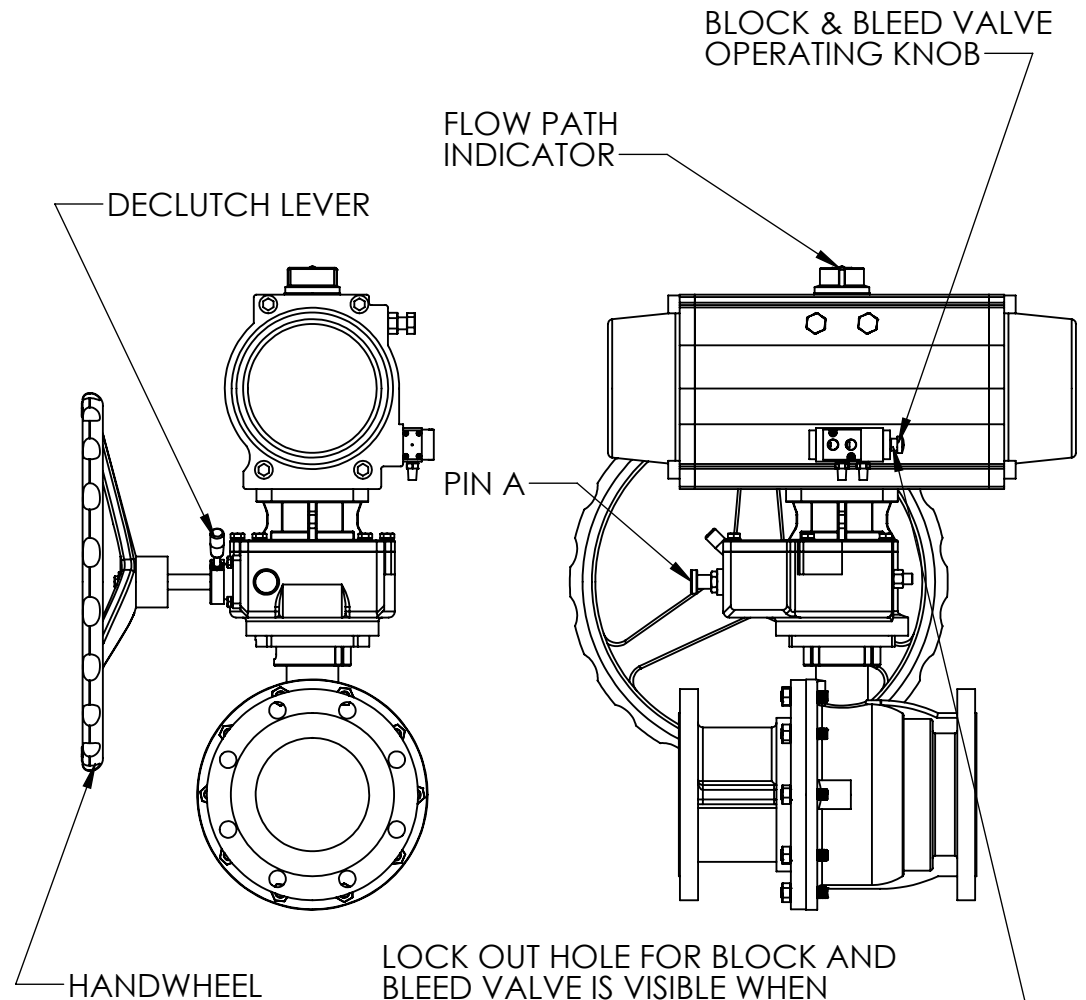
PULL OUT THE BLOCK AND BLEED VALVE OPERATING KNOB. THIS WILL RELIEVE THE PRESSURE TO THE ACTUATOR. A DOUBLE ACTING ACTUATOR WILL REMAIN IN POSITION AND A SPRING RETURN WILL GO TO THE NORMAL FAILURE POSITION AS DIRECTED BY THE SPRING ACTION. PULL PIN "A" AND ROTATE THE DECLUTCH LEVER UP TOWARDS THE ACTUATOR. A SLIGHT ROTATION OF THE HANDWHEEL MAY BE REQUIRED TO ENGAGE THE WORM GEAR. BE SURE PIN "A" RESEATS AGAINST THE HOUSING. DO NOT OPERATE THE MANUAL OVERRIDE WITH PIN "A" EXTENDED. ROTATE THE HANDWHEEL COUNTER-CLOCKWISE TO OPEN THE VALVE. THIS WILL TURN THE ACTUATOR AND VALVE/FLOW DEVICE COUNTER-CLOCKWISE.

**CAUTION: DO NOT DISENGAGE MANUAL OVERRIDE WITH SPRINGS COMPRESSED.**

TO RETURN TO NORMAL OPERATION TURN THE HANDWHEEL BACK TO THE STARTING POSITION IE: FOR A SPRING RETURN THAT WOULD BE THE FAILED POSITION OR WHERE THE SPRINGS ARE NOT COMPRESSED.

PULL PIN "A" AND ROTATE DECLUTCH LEVER DOWN TOWARDS THE VALVE TILL PIN "A" DROPS BACK IN FIRMLY AGAINST THE HOUSING. THE HANDWHEEL SHOULD ROTATE FREELY AT THIS TIME.

**CAUTION:** BEFORE PUSHING THE BLOCK AND BLEED OPERATING KNOB IN. BE SURE YOU KNOW WHAT THE ACTUATOR IS GOING TO DO. IE: IS IT GOING TO REMAIN IN PLACE AND WILL THIS ACTION CAUSE THE ACTUATOR TO BEGIN TURNING. ONCE THE OPERATING KNOB IS PUSHED IN THE ACTUATOR IS BACK IN NORMAL PNEUMATIC OPERATION.



LOCK OUT HOLE FOR BLOCK AND BLEED VALVE IS VISIBLE WHEN HANDLE IS PULLED OUT.  
**CAUTION:** WHEN A TVC5 SOLENOID IS MOUNTED TO THE BLOCK & BLEED VALVE THE BLOCK AND BLEED VALVE MUST BE ROTATED 180 DEGREES. SEE P1984 OR THE WEBSITE FOR THIS DRAWING UNDER BLOCK AND BLEED VALVES



9955 INTERNATIONAL BLVD.  
 CINCINNATI, OHIO 45246  
 PHONE: (513) 247-5465  
 FAX: (513) 247-5462

DRAWN BY CHS

CHECKED BY NPM

RELEASED BY NPM

SHEET 1 of 1

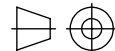
DATE 05/15/19

DATE 05/15/19

DATE 05/15/19

MATERIAL

DO NOT SCALE DRAWING



DESCRIPTION

2RDGO OPERATING INSTRUCTIONS WITH REVISED BLOCK AND BLEED MOUNTING

DRAWING NO.

P02998

REVISION

THE DESIGN AND DISCLOSURE CONTAINED IN THIS DRAWING WAS ORIGINATED BY, AND IS EXCLUSIVE PROPERTY OF A-T CONTROLS, INC. IT IS FURNISHED FOR VENDOR INFORMATION ONLY AND IS NOT AN AUTHORIZATION OR LICENSE TO MAKE THIS CONSTRUCTION OR TO FURNISH THIS INFORMATION TO OTHERS. ALL DRAWINGS MUST BE RETURNED TO A-T CONTROLS, INC. ON DEMAND. THIS DRAWING IS NOT TO BE REPRODUCED OR COPIED IN ANY FORM WITHOUT THE EXPRESS WRITTEN PERMISSION OF A-T CONTROLS, INC.