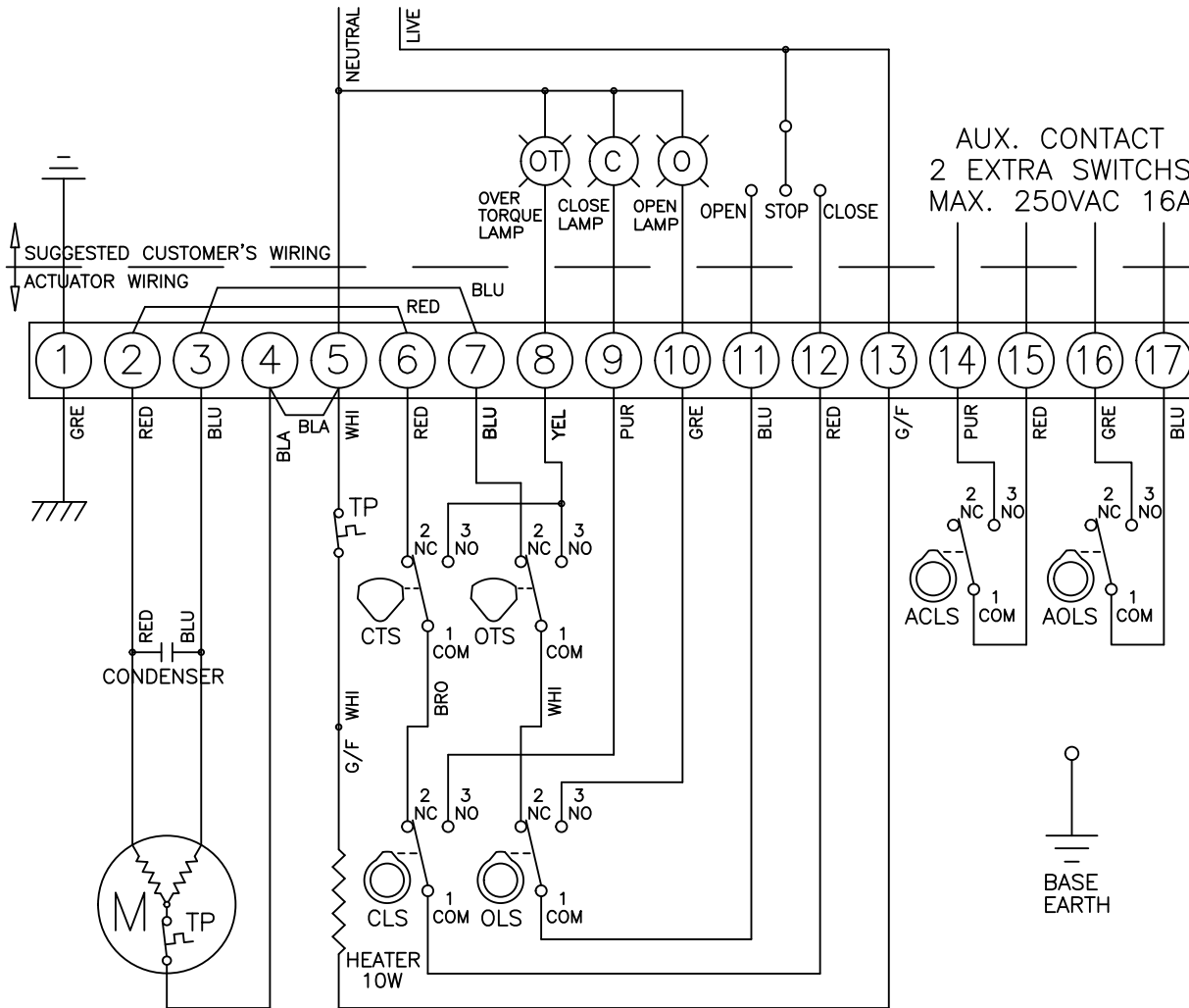


INCOMING POWER
115VAC/1PH



TORQUE AND LIMIT SWITCH OPERATION			
SWITCH	CLOSE ←	INTERMEDIATE	→ OPEN
CLS 1-2			
CLS 1-3			
OLS 1-2			
OLS 1-3			
ACLS 1-2			
ACLS 1-3			
AOLS 1-2			
AOLS 1-3			

CTS 1-3 * CLOSING TORQUE SWITCH INTERRUPTS CONTROL IF MECHANICAL OVERLOAD OCCURS DURING CLOSING CYCLE

OTS 1-3 * OPENING TORQUE SWITCH INTERRUPTS CONTROL IF MECHANICAL OVERLOAD OCCURS DURING OPENING CYCLE

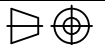
SYMBOL	DESCRIPTION	RATING
CLS	CLOSE LIMIT SWITCH	250VAC 10A
OLS	OPEN LIMIT SWITCH	250VAC 10A
CTS	CLOSE TORQUE SWITCH	250VAC 10A
OTS	OPEN TORQUE SWITCH	250VAC 10A
ACLS	AUX. CLOSE LIMIT SWITCH	250VAC 16A
AOLS	AUX. OPEN LIMIT SWITCH	250VAC 16A
TP	THERMAL PROTECTOR	250VAC 15A

*EACH ACTUATOR SHOULD BE POWERED THROUGH IT'S OWN INDIVIDUAL SWITCH OR RELAY CONTACTS TO PREVENT CROSS FEED BETWEEN TWO OR MORE ACTUATORS.

PART #	HEATER WATTS
WE/XE-****	10 WATTS (STD)
WE/XE-****XXL	30 WATTS (OPT)

NOTE: STANDARD 10 WATT HEATER RATED TO -4 DEG F
OPTIONAL 30 WATT HEATER RATED TO -40 DEG F
SUFFIX "XXL" = LOW TEMPERATURE OPTION

THE DESIGN AND DISCLOSURE CONTAINED IN THIS DRAWING WAS ORIGINATED BY, AND IS EXCLUSIVE PROPERTY OF A-T CONTROLS, INC. IT IS FURNISHED FOR VENDOR INFORMATION ONLY AND IS NOT AN AUTHORIZATION OR LICENSE TO MAKE THIS CONSTRUCTION OR TO FURNISH THIS INFORMATION TO OTHERS. ALL DRAWINGS MUST BE RETURNED TO A-T CONTROLS, INC. ON DEMAND. THIS DRAWING IS NOT TO BE REPRODUCED OR COPIED IN ANY FORM WITHOUT THE EXPRESS WRITTEN PERMISSION OF A-T CONTROLS, INC.



Division of A-T Controls, Inc.
11363 Deerfield Road
Cincinnati, Ohio 45242
Phone: (513) 247-5465
Fax: (513) 247-5462

DRAWN SAH	CHECKED BY	APPROVED
DATE 04/11/05	DATE	DATE
TITLE WE-1350 THRU WE-25900 ELECTRIC ACTUATOR 115VAC / 1PH / 50-60HZ TWO POSITION		

ECN	DATE	BY
ECN#	DATE	BY