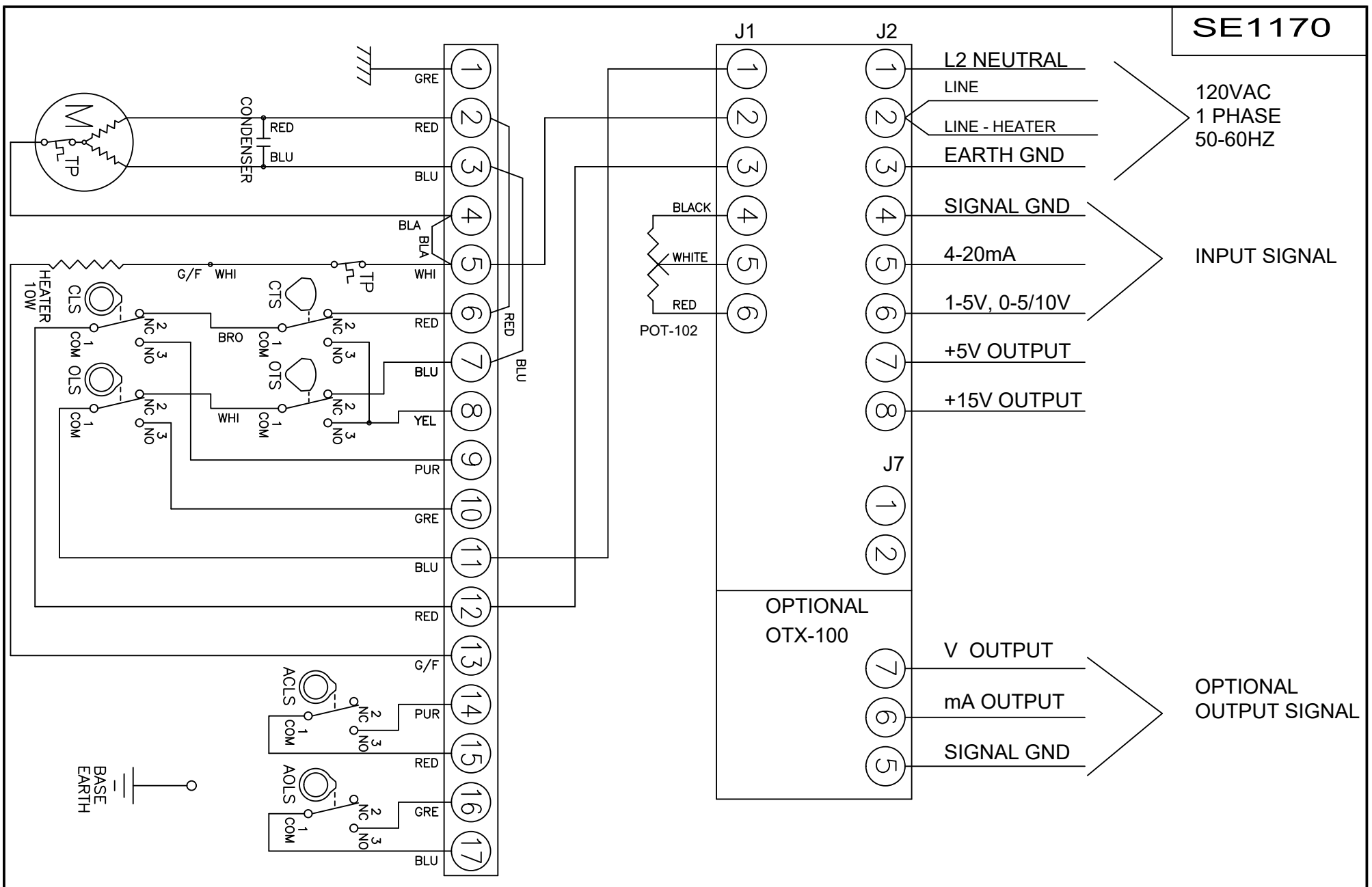


# SE1170



120VAC  
1 PHASE  
50-60HZ

INPUT SIGNAL

OPTIONAL  
OUTPUT SIGNAL

THE DESIGN AND DISCLOSURE CONTAINED IN THIS DRAWING WAS ORIGINATED BY, AND IS EXCLUSIVE PROPERTY OF A-T CONTROLS, INC. IT IS FURNISHED FOR VENDOR INFORMATION ONLY AND IS NOT AN AUTHORIZATION -OR- LICENSE TO MAKE THIS CONSTRUCTION OR TO FURNISH THIS INFORMATION TO OTHERS. ALL DRAWINGS MUST BE RETURNED TO A-T CONTROLS, INC. ON DEMAND. THIS DRAWING IS NOT TO BE REPRODUCED OR COPIED IN ANY FORM WITHOUT THE EXPRESS WRITTEN PERMISSION OF A-T CONTROLS, INC.



Division of A-T Controls, Inc.  
11363 Deerfield Road  
Cincinnati, Ohio 45242  
Phone: (513) 247-5465  
Fax: (513) 247-5462

DRAWN SAH	CHECKED BY	APPROVED
DATE 12/05/06	DATE	DATE
TITLE WED / XED-1350 THRU WED / XED-10500 MODULATING ELECTRIC ACTUATOR TDC-100, OPTIONAL OTX-100 MODULE		

ECN	DATE	BY
ECN#	DATE	BY

