

Introduction and Features:

The Triac 3D Series NAMUR indicator provides high visibility verification of valve/actuator position. Constructed of industrial polycarbonate material the 3D NAMUR indicator offers a rugged yet economical solution to industrial position verification needs. The indicator features a rotor with red and green quadrants that rotate to indicate valve 'open' and valve 'closed' positions. The Triac 3D NAMUR indicator can be mounted directly on actuators that conform to the NAMUR international dimension standards.



How To Order:

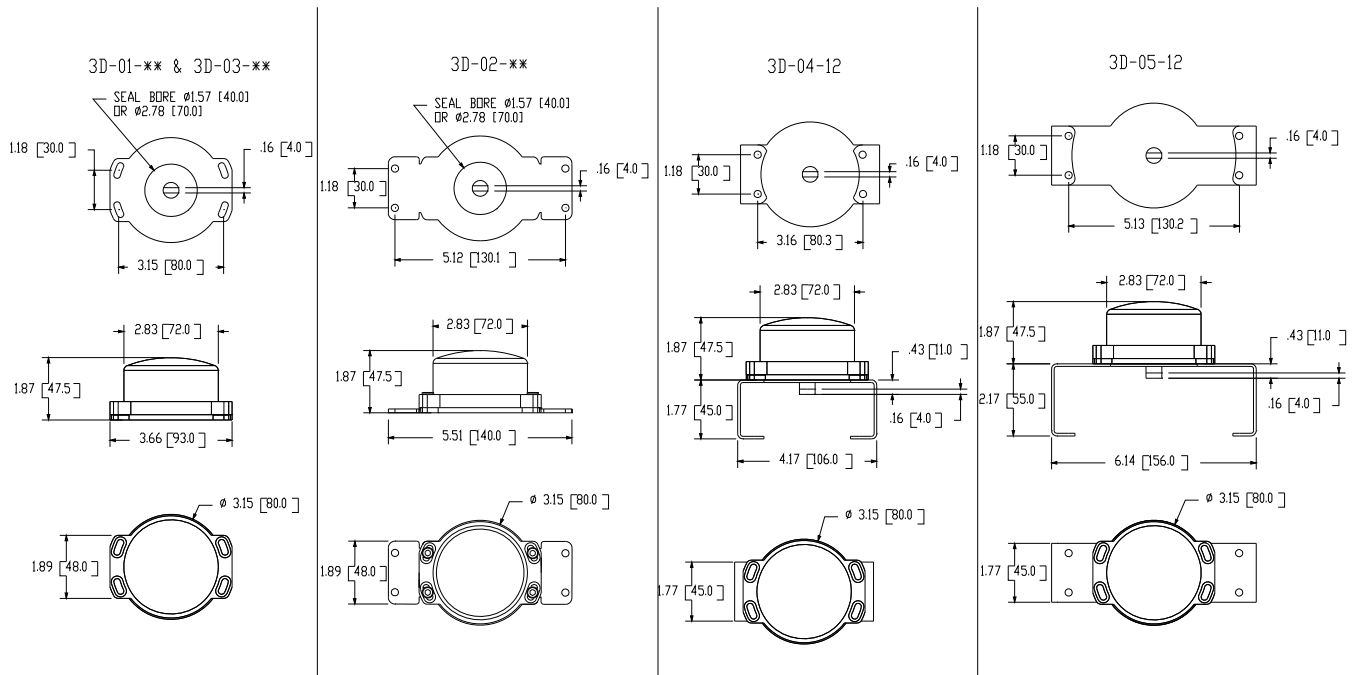
<u>Model Number</u>	<u>For Use On NAMUR Pattern</u>	<u>Gasket Seal (Bore diameter mm)</u>
3D-01-40	30 x 80 x 20	40
3D-01-70	30 x 80 x 20	70
3D-02-40	30 x 130 x 30	40
3D-02-70	30 x 130 x 30	70
3D-03-40	30 x 80 x 30	40
3D-03-70	30 x 80 x 30	70
3D-04-12	30 x 130 x 50	120
3D-05-12	30 x 80 x 40	120

Note: Stand alone visual position indication kits include:

One (1) gasket seal, One (1) 3D dome and rotor

Four (4) 10-24 allen head setscrews, washers and nuts for mounting on NAMUR style actuators

Appropriate mounting plates and coupler for mounting on NAMUR style actuators



A-T Controls product, when properly selected, is designed to perform its intended function safely during its useful life. However, the purchaser or user of A-T Controls products should be aware that A-T Controls products might be used in numerous applications under a wide variety of industrial service conditions. Although A-T Controls can provide general guidelines, it cannot provide specific data and warnings for all possible applications. The purchaser / user must therefore assume the ultimate responsibility for the proper sizing and selection, installation, operation, and maintenance of A-T Controls products. The user should read and understand the installation operation maintenance (IOM) instructions included with the product, and train its employees and contractors in the safe use of A-T Controls products in connection with the specific application.

While the information and specifications contained in this literature are believed to be accurate, they are supplied for informative purposes only. Because A-T Controls is continually improving and upgrading its product design, the specifications, dimensions and information contained in this literature are subject to change without notice. Should any question arise concerning these specifications, the purchaser/user should contact A-T Controls.

For product specifications go to <http://download.a-tcontrols.com/>

A-T Controls, Inc. • 9955 International Boulevard, Cincinnati, OH 45246 • Phone: (513) 530-5175 • Fax: (513) 247-5462 • www.a-tcontrols.com