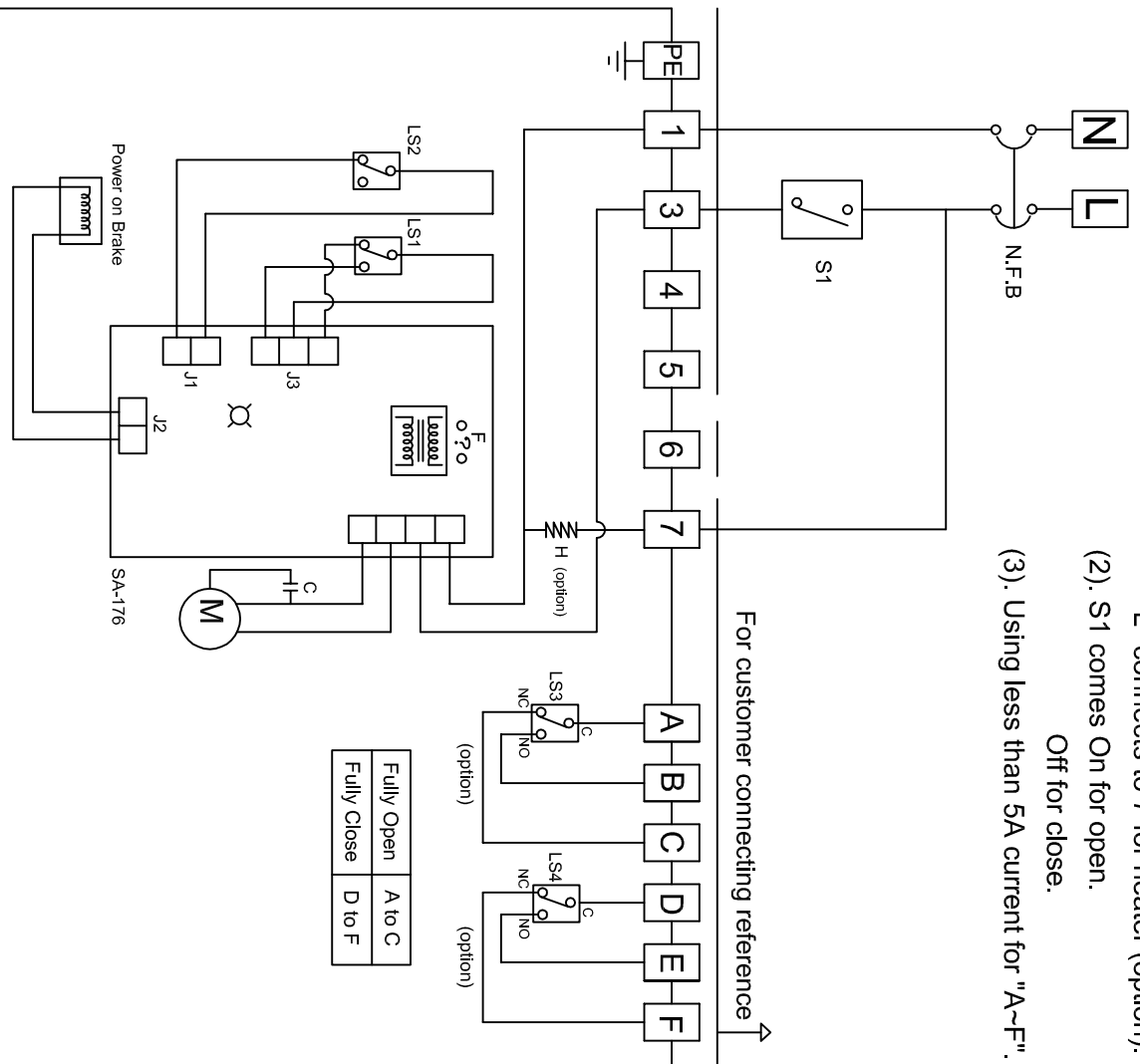


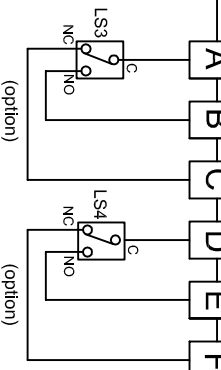
Power Supply
110V, 220V AC 1-phase

Note:

- (1). "N" connects to 1, "L" connects to 3.
- "L" connects to 7 for heater (option).
- (2). S1 comes On for open.
Off for close.
- (3). Using less than 5A current for "A~F".



For customer connecting reference →

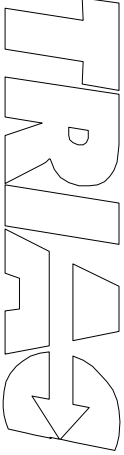


Fully Open	A to C
Fully Close	D to F

THE DESIGN AND DISCLOSURE CONTAINED IN THIS DRAWING WAS ORIGINATED BY, AND IS EXCLUSIVE PROPERTY OF A-T CONTROLS, INC. IT IS FURNISHED FOR YOUR INFORMATION ONLY AND IS NOT AN AUTHORIZATION, OR LICENSE TO MAKE THIS CONSTRUCTION OR TO FURNISH THIS INFORMATION TO OTHERS. ALL DRAWINGS MUST BE RETURNED TO A-T CONTROLS, INC. ON DEMAND. THIS DRAWING IS NOT TO BE REPRODUCED OR COPIED IN ANY FORM WITHOUT THE EXPRESS WRITTEN PERMISSION OF A-T CONTROLS, INC.

DATE	BY	DATE	BY
10/16/07	SAH		

ECN# DATE



Division of A-T Controls, Inc.
11363 Deerfield Road
Cincinnati, Ohio 45242
Phone: (513) 247-5465
Fax: (513) 247-5462

SAH
10/16/07
FSE SERIES WIRING DIAGRAM
SPRING RETURN ELECTRIC ACTUATOR
115VAC / 1 PHASE

