



A-T Controls, Inc.

9955 International Blvd. • Cincinnati, Ohio 45246
Phone: 513.247.5465 Fax: 513.247.5462
www.atcontrols.com

Engineer: AMZ **No.:** D100043
Date Created: 07/09/2019
Date Modified:

TSM Extensions

TSM's are designed for use with fugitive emissions to act as another form of packing on valve series that are already designed for fugitive emissions. When used manually the handles are lockable. TSM's also allow for an extended mounting pad to which an actuator can be directly mounted. They can be added to the 22, 24, 33, 55, 77, T77, H78, 8R, 88, 90, D9 and F91 Series. See dimensional drawings P02774, P02776, T11580, and P02997 below.

Spring Return Handles

Spring return handles are designed for manual operation and can spring open or close. Depending on the set up the valve will either spring open or closed when the handle is released. They are made up of a triangle pad and a handle. The spring is contained in the handle and is attached to the triangle pad, which can be seen in P03000 along with dimensions and applicable sizes. They can be added to the 22, 33, 77, 88/F88, F91, D9, FD9, 8R, F8R, 83/F83, and 90/F90 series. The F91, 8R / F8R, 83/F83 and 90/F90 series will additionally require a TSM for mounting purposes.

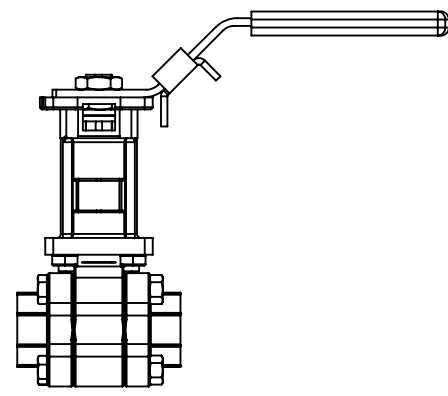
Manual Valve with Limit Switch

Limit switches can be mounted to a manual valve using a coupler and a "C" shaped bracket.

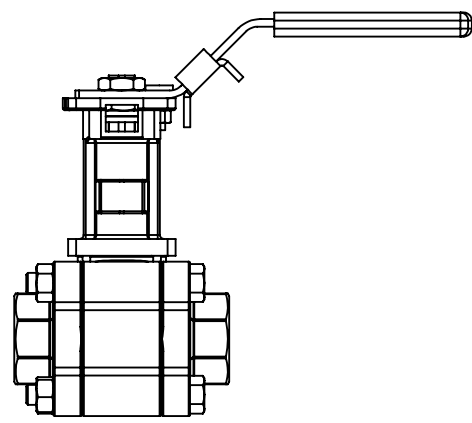


Manual and Automated Quarter Turn Valves
Complete Valve and Damper Automation

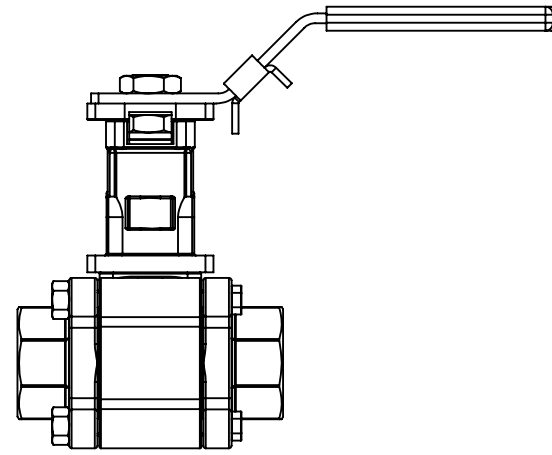




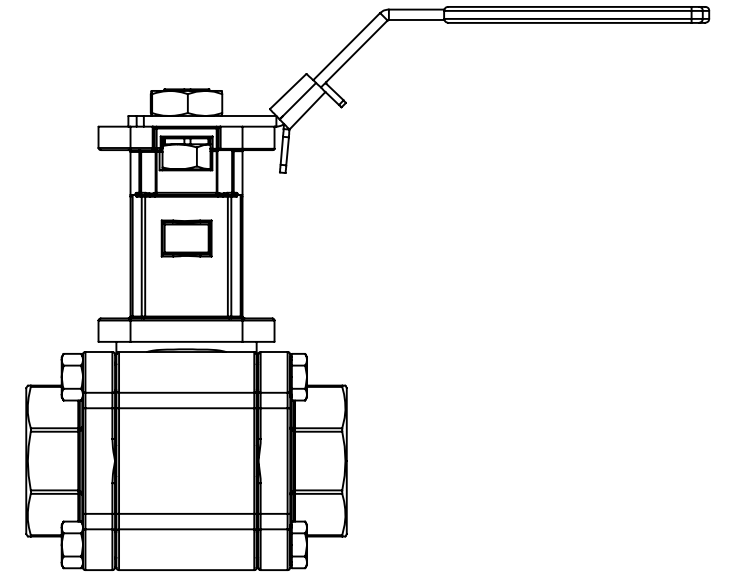
8R-TSM-1



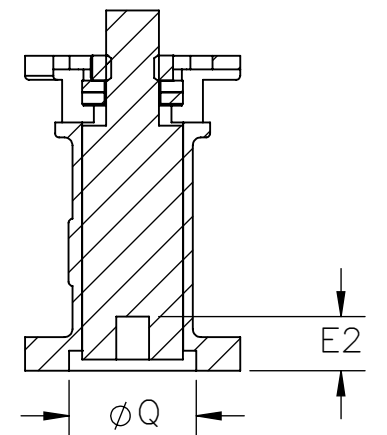
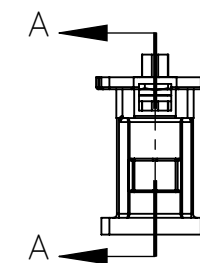
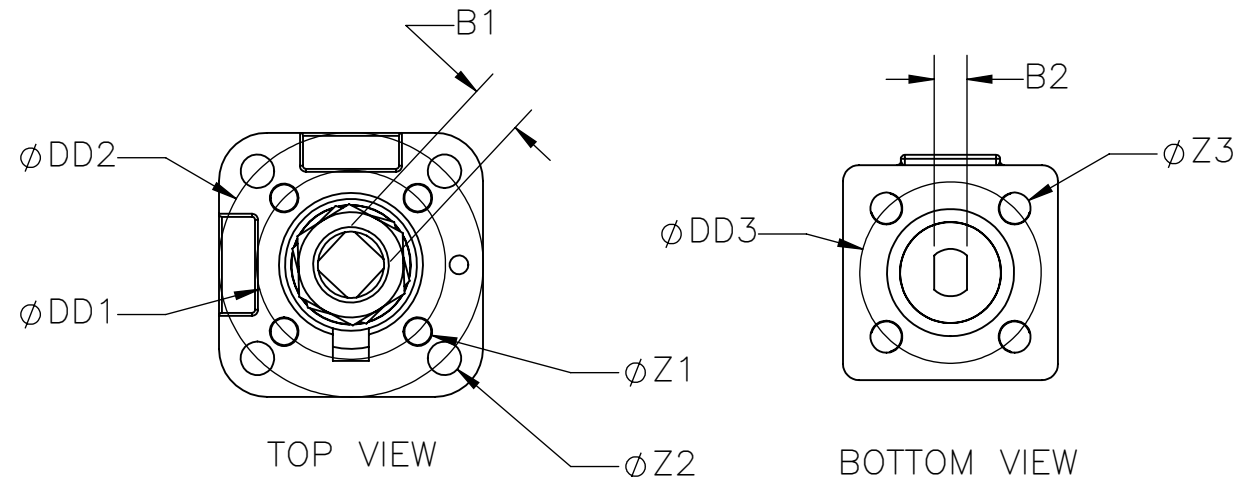
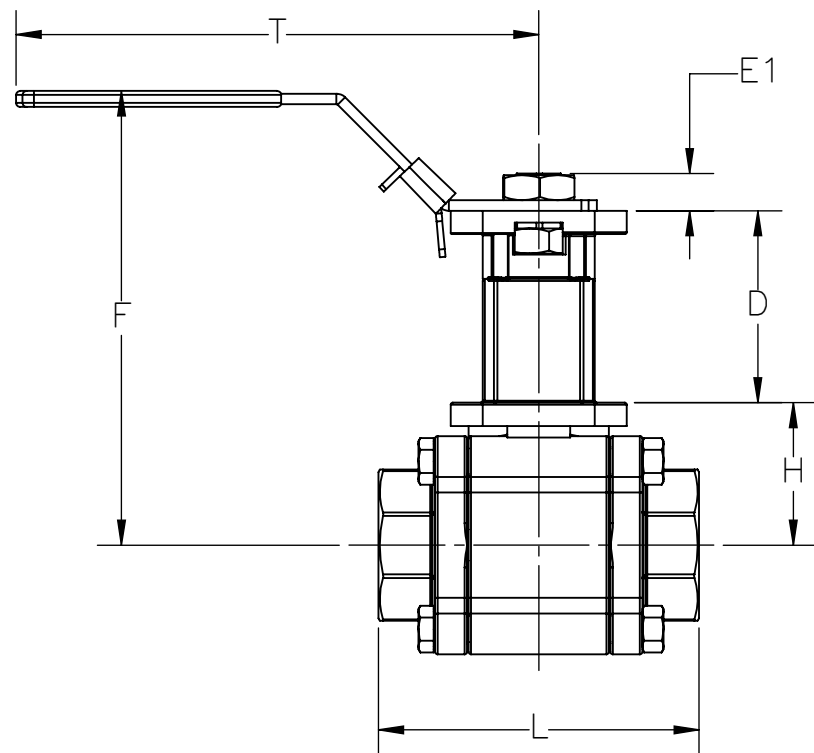
8R-TSM-2



8R-TSM-3



8R-TSM-4



SECTION A-A
SCALE 1 : 1.5

NOTE: OPTIONAL SNIFFER PORT
AVAILABLE FOR 8R TSM'S (SP)

TSM for Series 8R / 83 / 55																						
TSM	8R	83	55	Valve Dimensions		Top TSM Dimensions										Bottom TSM Dimensions						
	Sizes			L	H	D	E1	F	T	B1	phi DD1	phi DD2	ISO	phi Z1	phi Z2	SP	phi DD3	ISO	phi Z3	B2	E2	phi Q
8R-TSM-1	1/4" - 1/2"	1/4" - 3/8"	N/A	Refer to catalog for valve dimensions		2.52	0.39	3.96	5.535	0.354	1.417	1.654	F03/F04	0.24	0.24	1/16" NPT	1.417	F03	0.24	0.256	0.335	0.992
8R-TSM-2	3/4" - 1"	1/2" - 3/4"	1/4" - 3/4"			2.52	0.39	3.96	5.535	0.354	1.417	1.654	F03/F04	0.24	0.24	1/16" NPT	1.417	F03	0.24	0.256	0.768	0.992
8R-TSM-3	1-1/4" - 1-1/2"	1" - 1-1/4"	1" - 1-1/4"			2.54	0.43	4.09	6.496	0.433	1.654	1.969	F04/F05	0.24	0.28	1/8" NPT	1.654	F04	0.24	0.315	1.016	1.189
8R-TSM-4	2" - 2-1/2"	1-1/2" - 2"	1-1/2" - 2"			3.40	0.55	5.21	8.464	0.551	1.969	2.756	F05/F07	0.30	0.35	1/8" NPT	1.969	F05/F07	0.28	0.382	1.272	1.543



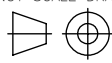
9955 INTERNATIONAL BLVD.
CINCINNATI, OHIO 45246
PHONE: (513) 247-5465
FAX: (513) 247-5462

DRAWN BY: AMZ
CHECKED BY: CMB
RELEASED BY: CMB
DATE: 07/09/19

VALVES, ACTUATORS, AND AUTOMATION CONTROLS

SHEET 1 of 1

DO NOT SCALE DRAWING



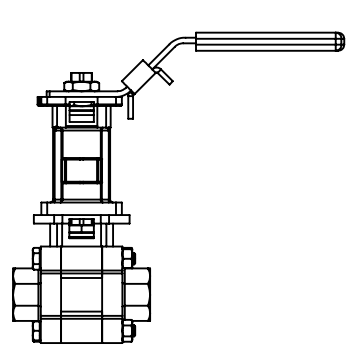
DESCRIPTION
8R / 83 / 55 TSM DIMENSIONAL DRAWING

MATERIAL

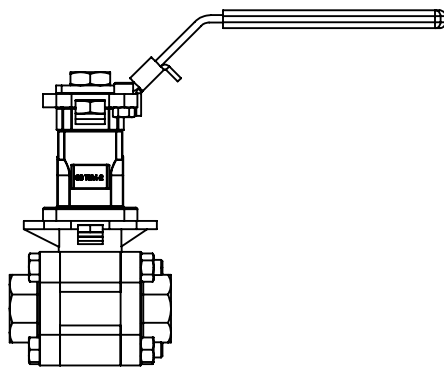
DRAWING NO.
T11580

REVISION
A

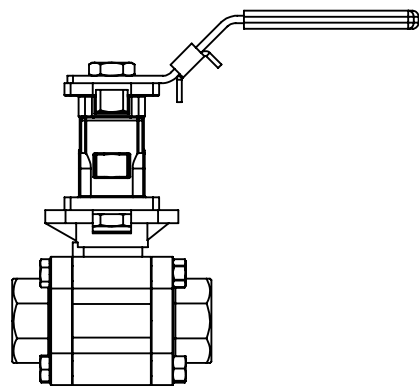
THE DESIGN AND DISCLOSURE CONTAINED IN THIS DRAWING WAS ORIGINATED BY, AND IS EXCLUSIVE PROPERTY OF A-T CONTROLS, INC. IT IS FURNISHED FOR VENDOR INFORMATION ONLY AND IS NOT AN AUTHORIZATION OR LICENSE TO MAKE THIS CONSTRUCTION OR TO FURNISH THIS INFORMATION TO OTHERS. ALL DRAWINGS MUST BE RETURNED TO A-T CONTROLS, INC. ON DEMAND. THIS DRAWING IS NOT TO BE REPRODUCED OR COPIED IN ANY FORM WITHOUT THE EXPRESS WRITTEN PERMISSION OF A-T CONTROLS, INC.



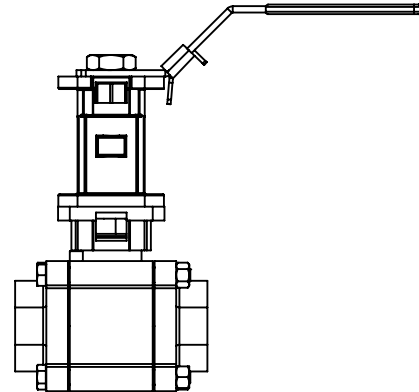
88-TSM-1
1/4" - 1/2"



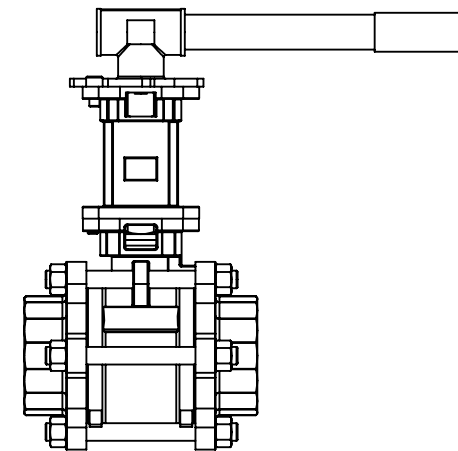
88-TSM-2
3/4"



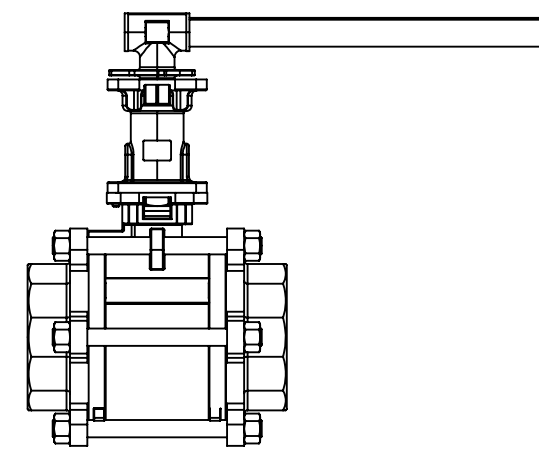
88-TSM-3
1" - 1-1/4"



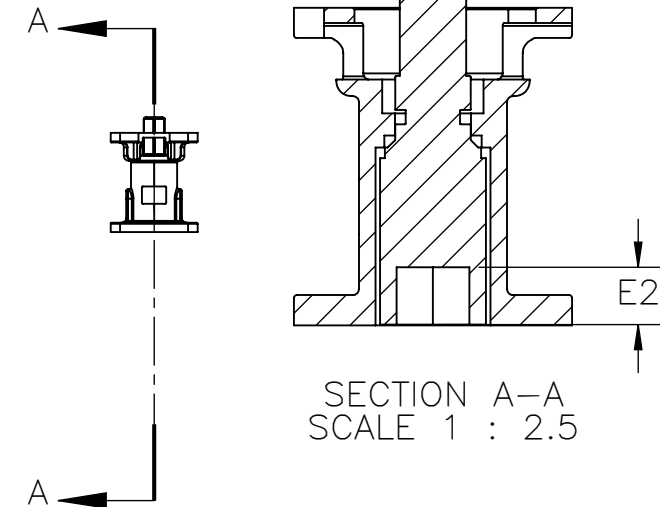
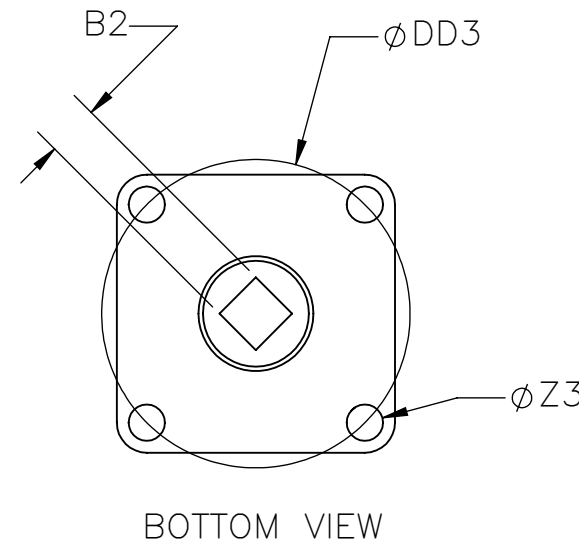
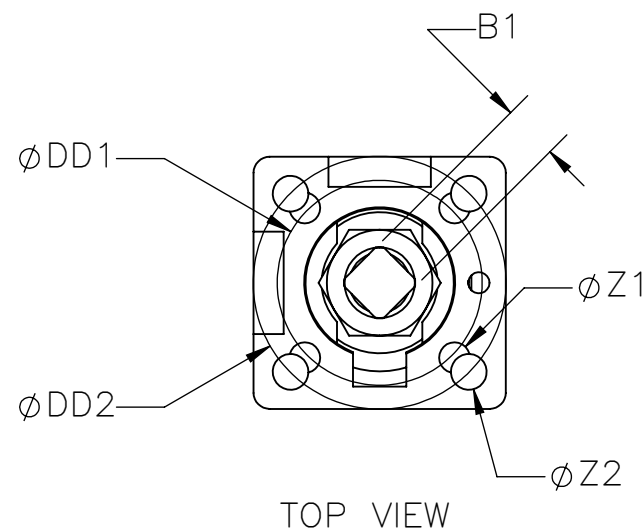
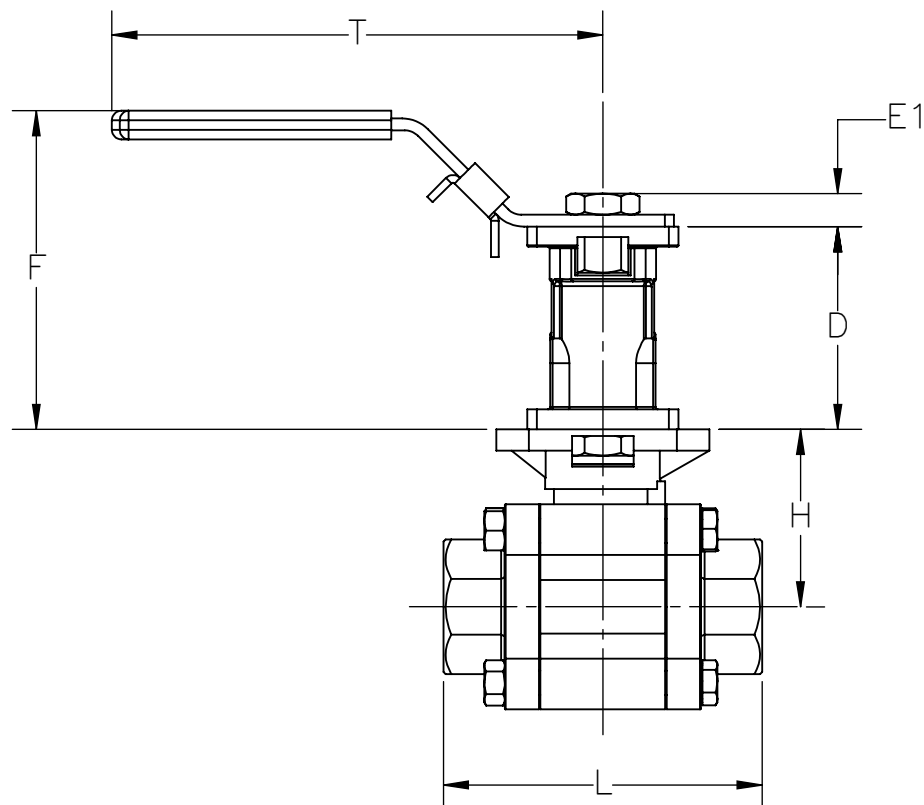
88-TSM-4
1-1/2" - 2"



88-TSM-5
2-1/2"



88-TSM-6
3" - 4"



TSM for Series 88 / 22 / 24 / 33 / 77 / T77 / H78 / and 91																																				
TSM	88						22						24						33						77 / T77 / H78						91					
	Sizes																																			
	L	H	D	E1	F	T	B1	phi DD1	phi DD2	ISO	phi Z1	phi Z2	phi DD3	ISO	phi Z3	B2	E2																			
88-TSM-1	1/4" - 1/2"	1/4" - 3/4"	1/4" - 3/4"	1/4" - 1/2"	1/2" - 3/4"	N/A	Refer to catalog for valve dimensions	2.43	0.35	3.78	5.47	0.354	1.417	1.654	F03/F04	0.24	0.24	1.654	F04	0.26	0.354	0.402														
88-TSM-2	1/4" - 3/4"	1/4" - 3/4"	1/4" - 3/4"	1/4" - 1/2"	N/A	N/A		2.65	0.43	4.21	6.50	0.433	1.654	1.969	F04/F05	0.24	0.28	1.969	F05	0.30	0.354	0.520														
88-TSM-3	1" - 1-1/4"	1" - 1-1/4"	1" - 1-1/4"	3/4" - 1"	1"	1/2" - 1"		2.65	0.43	4.21	6.50	0.433	1.654	1.969	F04/F05	0.24	0.28	1.969	F05	0.30	0.433	0.520														
88-TSM-4	1-1/2" - 2"	1-1/2" - 2"	1-1/2" - 2"	1-1/4"	1-1/2" - 2"	1-1/2"		3.38	0.55	5.35	8.46	0.551	1.969	2.756	F05/F07	0.30	0.35	2.756	F07	0.47	0.551	0.677														
88-TSM-5	2-1/2" - 4"	N/A	N/A	1-1/2" - 2-1/2"	2-1/2" - 4"	2-1/2" - 3"		4.14	0.66	6.46	11.81	0.748	2.756	4.016	F07/F10	0.39	0.47	4.016	F10	0.47	0.748	0.795														



9955 INTERNATIONAL BLVD.
CINCINNATI, OHIO 45246
PHONE: (513) 247-5465
FAX: (513) 247-5462

DRAWN BY AMZ CHECKED BY CMB RELEASED BY CMB
DATE 07/09/19 DATE 07/10/19 DATE 07/10/19

VALVES, ACTUATORS, AND AUTOMATION CONTROLS

SHEET 1 of 1

DO NOT SCALE DRAWING

DESCRIPTION
22 / 24 / 33 / 77 / 88 / 91 TSM DIMENSIONAL DRAWING

MATERIAL

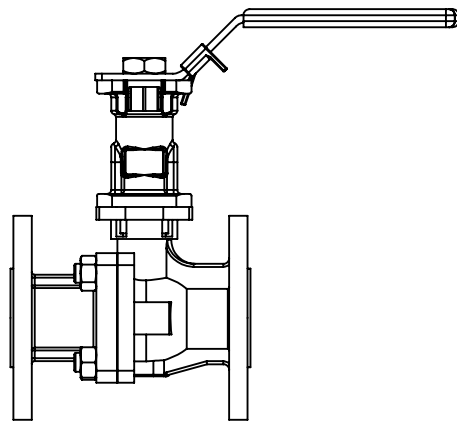
DRAWING NO.

P02774

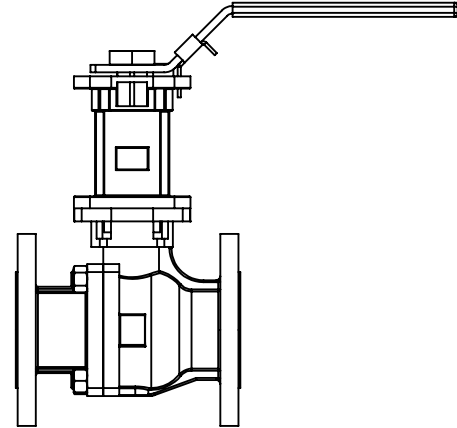
REVISION

A

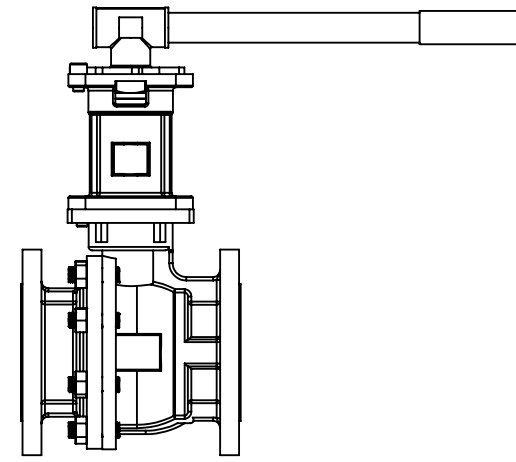
THE DESIGN AND DISCLOSURE CONTAINED IN THIS DRAWING WAS ORIGINATED BY, AND IS EXCLUSIVE PROPERTY OF A-T CONTROLS, INC. IT IS FURNISHED FOR VENDOR INFORMATION ONLY AND IS NOT AN AUTHORIZATION OR LICENSE TO MAKE THIS CONSTRUCTION OR TO FURNISH THIS INFORMATION TO OTHERS. ALL DRAWINGS MUST BE RETURNED TO A-T CONTROLS, INC. ON DEMAND. THIS DRAWING IS NOT TO BE REPRODUCED OR COPIED IN ANY FORM WITHOUT THE EXPRESS WRITTEN PERMISSION OF A-T CONTROLS, INC.



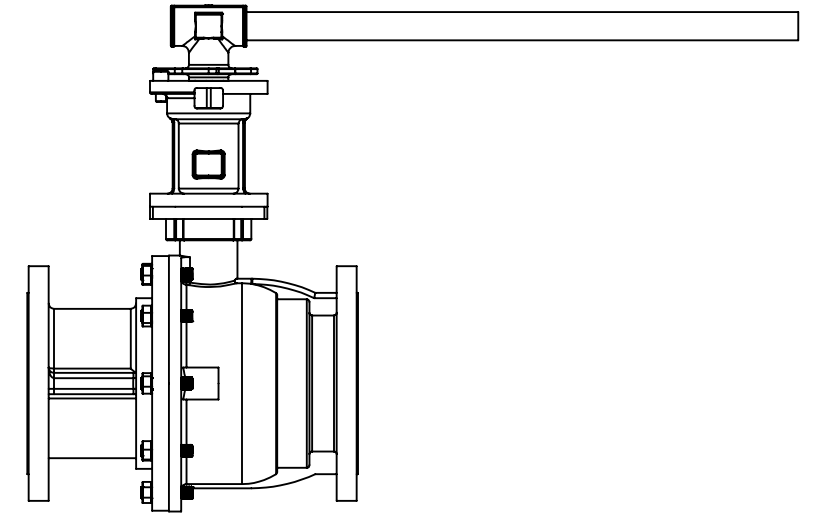
D9-TSM-1
1/2" - 1"



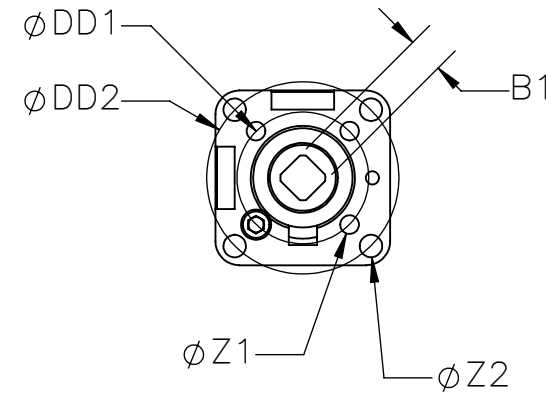
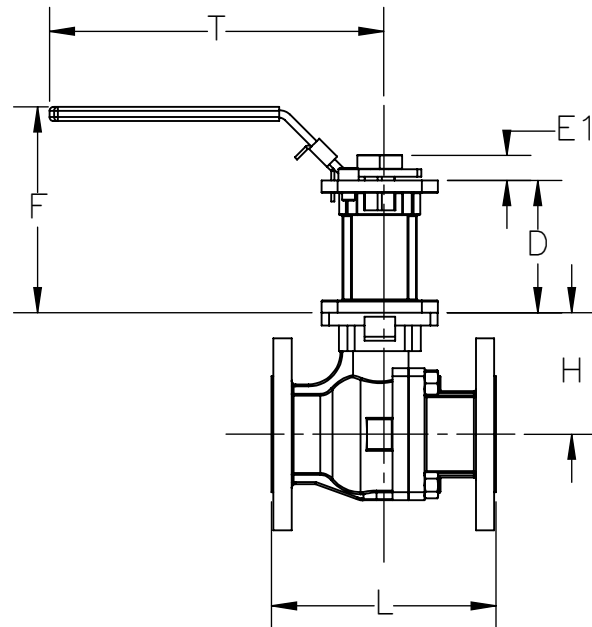
D9-TSM-2
1-1/2" - 2-1/2"



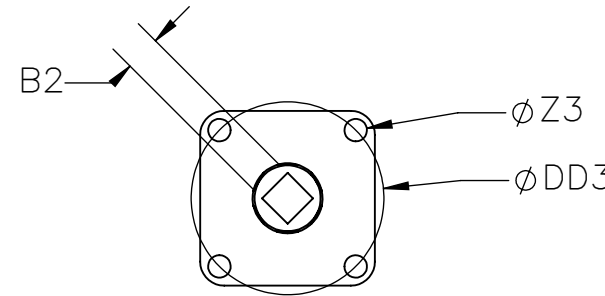
D9-TSM-3
3" - 4"



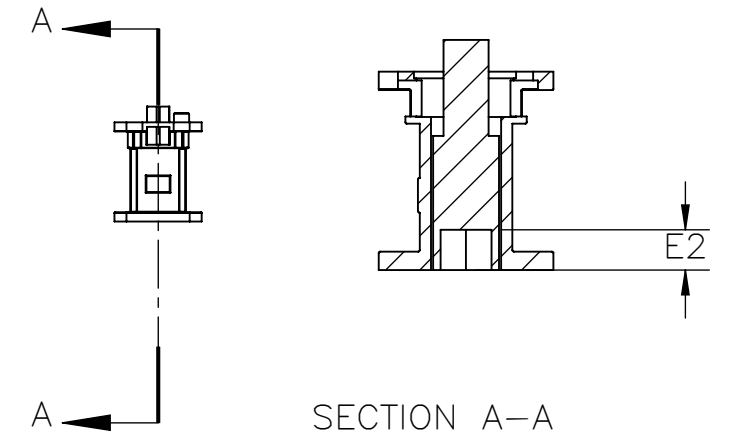
D9-TSM-4
6"



TOP VIEW



BOTTOM VIEW



SECTION A-A

Series D9 TSM																		
TSM	D9 Size	Valve Dimensions		Top TSM Dimensions									Bottom TSM Dimensions					
		L	H	D	E1	F	T	B1	ØDD1	ØDD2	ISO	ØZ1	ØZ2	ØDD3	ISO	ØZ3	B2	E2
D9-TSM-1	1/2" - 1"	Refer to catalog for valve dimensions		2.68	0.43	4.21	6.50	0.433	1.654	1.969	F04/F05	0.24	0.28	1.969	F05	0.30	0.433	0.52
D9-TSM-2	1-1/2" - 2-1/2"			4.17	0.66	6.26	10.35	0.748	2.756	4.016	F07/F10	0.39	0.47	4.016	F10	0.47	0.748	0.80
D9-TSM-3	3" - 4"			4.17	0.91	6.26	10.35	0.866	2.756	4.016	F10/F12	0.39	0.47	4.016	F10	0.47	0.866	0.80
D9-TSM-4	6"			5.91	1.12	8.50	27.76	1.063	4.921	5.512	F12/F14	0.55	0.71	4.921	F12	0.55	1.063	0.98



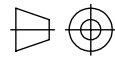
9955 INTERNATIONAL BLVD.
CINCINNATI, OHIO 45246
PHONE: (513) 247-5465
FAX: (513) 247-5462

DRAWN BY AMZ CHECKED BY CMB RELEASED BY CMB
DATE 07/09/19 DATE 07/09/19 DATE 07/09/19

VALVES, ACTUATORS, AND AUTOMATION CONTROLS

SHEET 1 of 1

DO NOT SCALE DRAWING



DESCRIPTION
D9 TSM DIMENSIONAL DRAWING

MATERIAL

DRAWING NO.

P02776

REVISION

A

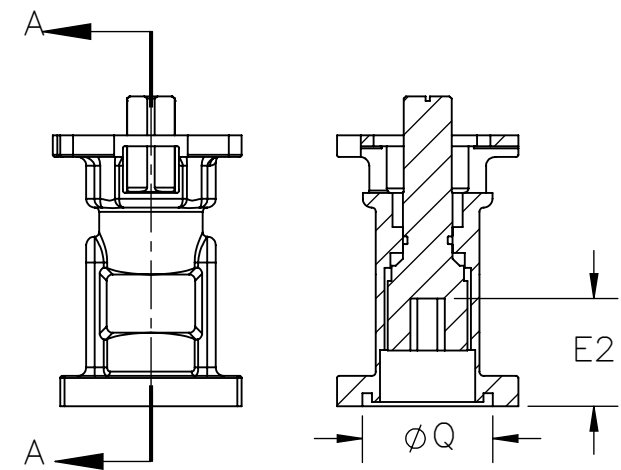
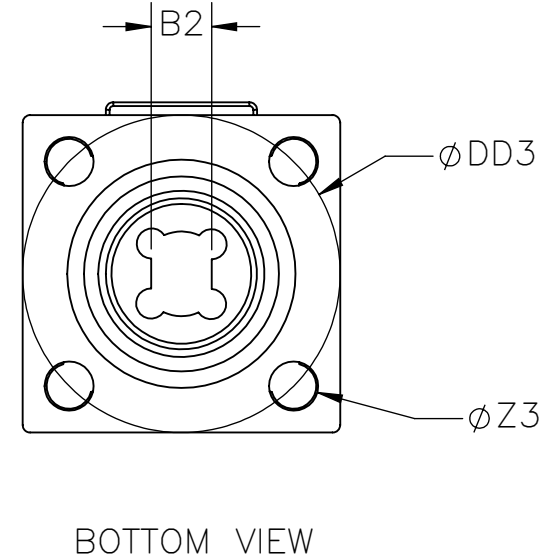
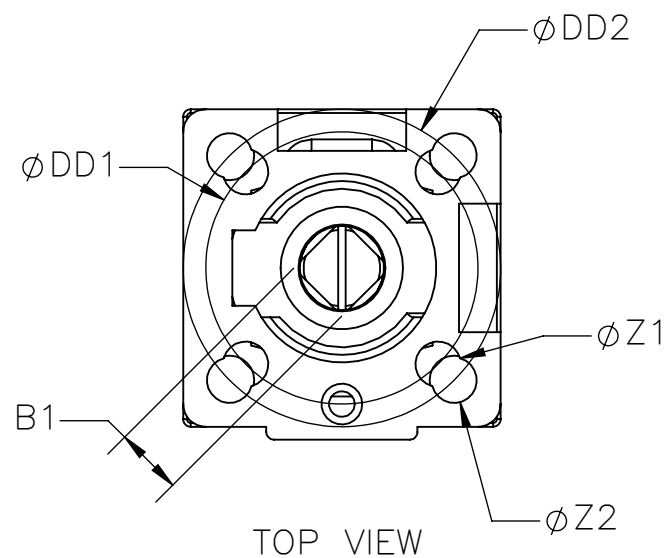
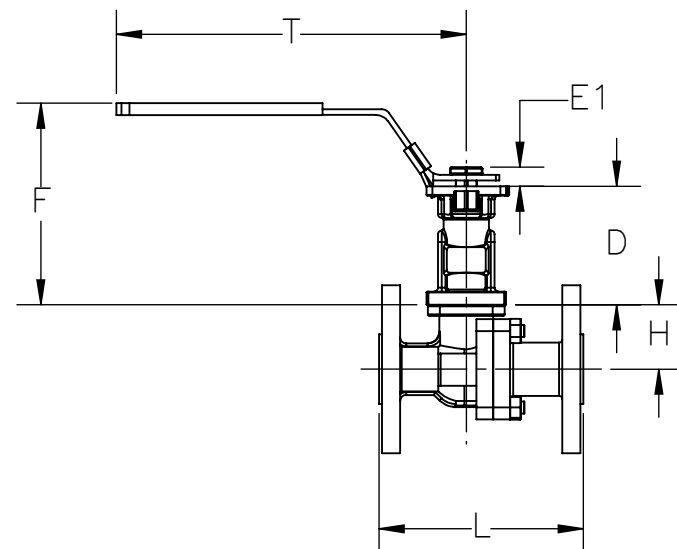
THE DESIGN AND DISCLOSURE CONTAINED IN THIS DRAWING WAS ORIGINATED BY, AND IS EXCLUSIVE PROPERTY OF A-T CONTROLS, INC. IT IS FURNISHED FOR VENDOR INFORMATION ONLY AND IS NOT AN AUTHORIZATION OR LICENSE TO MAKE THIS CONSTRUCTION OR TO FURNISH THIS INFORMATION TO OTHERS. ALL DRAWINGS MUST BE RETURNED TO A-T CONTROLS, INC. ON DEMAND. THIS DRAWING IS NOT TO BE REPRODUCED OR COPIED IN ANY FORM WITHOUT THE EXPRESS WRITTEN PERMISSION OF A-T CONTROLS, INC.

90-TSM-1

90-TSM-2

90-TSM-3

90-TSM-4



SECTION A-A
SCALE 1 : 1.75

NOTE: OPTIONAL SNIFFER PORT
AVAILABLE FOR 90 TSM'S (SP)

Series 90 TSM																				
TSM	90 Sizes	Valve Dimensions		Top TSM Dimensions										Bottom TSM DIMENSIONS						
		L	H	D	E1	F	T	B1	ØDD1	ØDD2	ISO	ØZ1	ØZ2	SP	ØDD3	ISO	ØZ3	B2	E2	ØQ
90-TSM-1	1/4" - 1/2"	Refer to catalog for valve dimensions		2.47	0.35	4.06	7.28	0.354	1.417	1.654	F03/F04	0.24	0.24	1/16" NPT	1.654	F04	0.26	0.31	0.98	1.189
90-TSM-2	3/4" - 1"			2.64	0.43	4.33	8.35	0.433	1.654	1.969	F04/F05	0.24	0.28	1/8" NPT	1.969	F05	0.30	0.38	1.10	1.543
90-TSM-3	1-1/2" - 2-1/2"			3.39	0.55	5.28	10.35	0.551	1.969	2.756	F05/F07	0.30	0.35	1/8" NPT	2.756	F07	0.35	0.47	1.44	2.173
90-TSM-4	3" - 4"			4.13	0.66	6.50	14.57	0.669	2.756	4.016	F07/F10	0.39	0.47	1/4" NPT	4.016	F10	0.47	0.59	1.90	2.764



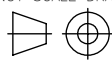
9955 INTERNATIONAL BLVD.
CINCINNATI, OHIO 45246
PHONE: (513) 247-5465
FAX: (513) 247-5462

DRAWN BY AMZ CHECKED BY CMB RELEASED BY CMB
DATE 07/09/19 DATE 07/09/19 DATE 07/09/19

VALVES, ACTUATORS, AND AUTOMATION CONTROLS

SHEET 1 of 1

DO NOT SCALE DRAWING



DESCRIPTION
90 SERIES TSM DIMENSIONAL DRAWING

MATERIAL

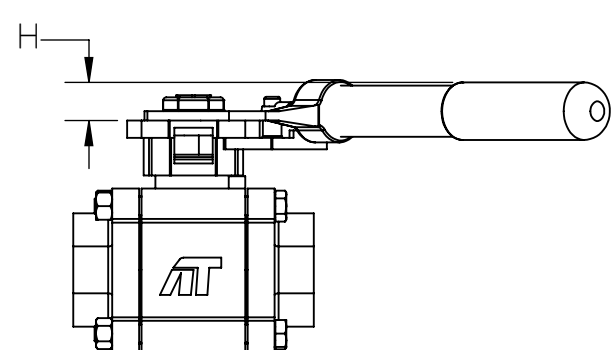
DRAWING NO.

P02997

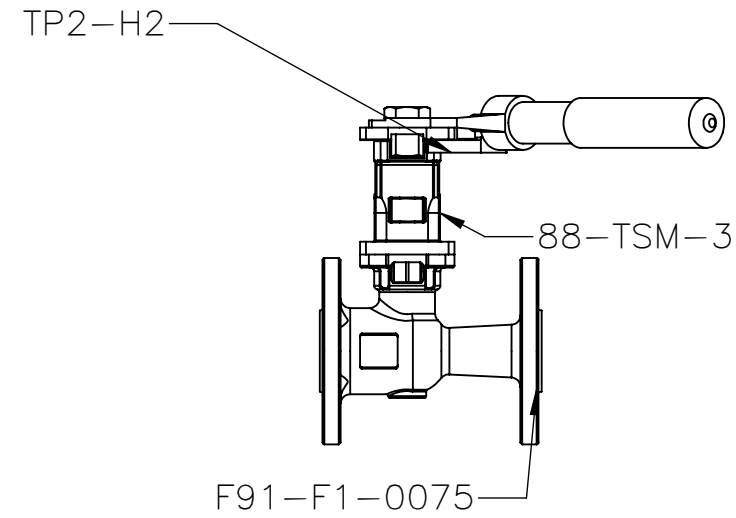
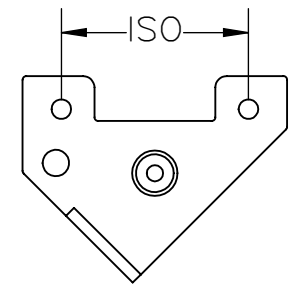
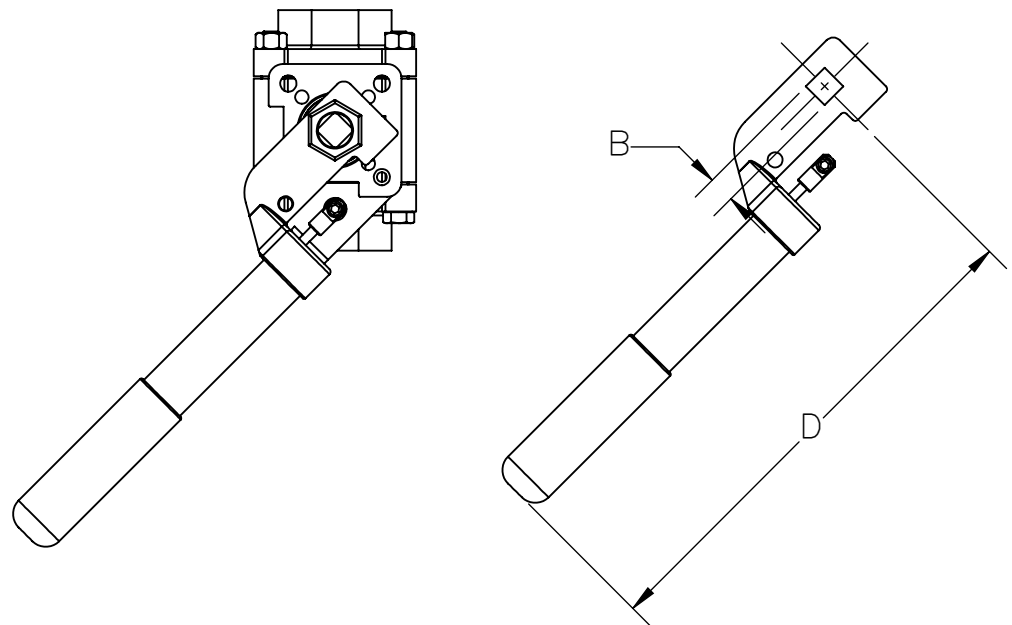
REVISION

A

THE DESIGN AND DISCLOSURE CONTAINED IN THIS DRAWING WAS ORIGINATED BY, AND IS EXCLUSIVE PROPERTY OF A-T CONTROLS, INC. IT IS FURNISHED FOR VENDOR INFORMATION ONLY AND IS NOT AN AUTHORIZATION OR LICENSE TO MAKE THIS CONSTRUCTION OR TO FURNISH THIS INFORMATION TO OTHERS. ALL DRAWINGS MUST BE RETURNED TO A-T CONTROLS, INC. ON DEMAND. THIS DRAWING IS NOT TO BE REPRODUCED OR COPIED IN ANY FORM WITHOUT THE EXPRESS WRITTEN PERMISSION OF A-T CONTROLS, INC.



88-TH-0150-XSX



Spring Return Handle								
Series	Sizes							
	1/4"	3/8"	1/2"	3/4"	1"	1-1/4"	1-1/2"	2"
22	TP2-H1	TP2-H1	TP2-H1	TP2-H1	TP2-H2	TP2-H2	TP4-H3	TP4-H3
33	TP2-H1	TP2-H1	TP2-H1	TP2-H2	TP4-H2	N/A	N/A	N/A
77	N/A	N/A	TP1-H1	TP1-H1	TP2-H2	N/A	TP4-H3	TP4-H3
88 / F88	TP2-H1	TP2-H1	TP2-H1	TP3-H1	TP3-H2	TP3-H2	TP4-H3	TP4-H3
F91	N/A	N/A	TP2-H2 + 88-TSM-3	TP2-H2 + 88-TSM-3	TP2-H2 + 88-TSM-3	N/A	TP4-H3 + 88-TSM-4	N/A
D9	N/A	N/A	TP2-H2	TP2-H2	TP2-H2	N/A	N/A	N/A
FD9-F1	N/A	N/A	TP2-H2	TP2-H2	TP2-H2	N/A	N/A	N/A
FD9-F3	N/A	N/A	TP2-H2	TP2-H2	TP2-H2	N/A	N/A	N/A
FD9-F6	N/A	N/A	TP2-H2	TP2-H2	TP3-H3	N/A	N/A	N/A
8R / F8R	TP1-H1 + 8R-TSM-1	TP1-H1 + 8R-TSM-1	TP1-H1 + 8R-TSM-1	TP1-H1 + 8R-TSM-2	TP1-H1 + 8R-TSM-2	TP2-H2 + 8R-TSM-3	TP2-H2 + 8R-TSM-3	TP4-H3 + 8R-TSM-4
83 / F83	TP1-H1 + 83-TSM-1	TP1-H1 + 83-TSM-1	TP1-H1 + 83-TSM-1	TP1-H2 + 83-TSM-2	TP2-H2 + 83-TSM-2	TP2-H3 + 83-TSM-3	TP4-H3 + 83-TSM-3	TP4-H3 + 83-TSM-4
90 / F90	N/A	N/A	TP1-H1 + 90-TSM-1	TP2-H2 + 90-TSM-2	TP2-H2 + 90-TSM-2	N/A	TP4-H3 + 90-TSM-3	TP4-H3 + 90-TSM-3

Spring Return Handle Dimensions			
Triangle Pad	ISO		
TP 1	F04		
TP 2	F05		
TP 3	F07		
TP 4	F07		
Handle	B	D	H
H1	0.354	7.99	0.62
H2	0.433	8.14	0.62
H3	0.551	10.58	0.78



9955 INTERNATIONAL BLVD.
CINCINNATI, OHIO 45246
PHONE: (513) 247-5465
FAX: (513) 247-5462

DRAWN BY AMZ CHECKED BY CMB RELEASED BY CMB
DATE 07/09/19 DATE 07/09/19 DATE 07/09/19

VALVES, ACTUATORS, AND AUTOMATION CONTROLS

SHEET 1 of 1

MATERIAL

DRAWING NO. P03000 REVISION A

THE DESIGN AND DISCLOSURE CONTAINED IN THIS DRAWING WAS ORIGINATED BY, AND IS EXCLUSIVE PROPERTY OF A-T CONTROLS, INC. IT IS FURNISHED FOR VENDOR INFORMATION ONLY AND IS NOT AN AUTHORIZATION OR LICENSE TO MAKE THIS CONSTRUCTION OR TO FURNISH THIS INFORMATION TO OTHERS. ALL DRAWINGS MUST BE RETURNED TO A-T CONTROLS, INC. ON DEMAND. THIS DRAWING IS NOT TO BE REPRODUCED OR COPIED IN ANY FORM WITHOUT THE EXPRESS WRITTEN PERMISSION OF A-T CONTROLS, INC.

DO NOT SCALE DRAWING

DESCRIPTION
Spring Return Handle Dimensional Drawing