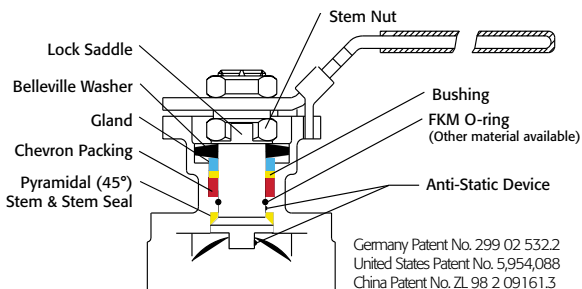


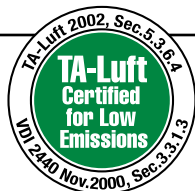


Triac Series 22 Ball Valves feature a high quality investment cast body and end. They are available in sizes from 1/4" to 3". Superior leak protection is accomplished by using our patented "Pyramidal" stem seal system shown in the graphic below. This advanced system protects against wear and leakage experienced by other ordinary ball valves.



**TABLE OF CONTENTS:**

- Page 2 - Materials & Dimensions
- Page 3 - Technical Data
- Page 4 - Double Acting
- Page 5 - Spring Return
- Page 6 - Electric
- Page 7 - How to Order - Manual
- Page 8 - How to Order - Automated



**Easy to Automate!**

See automated data sheets for pre-sized assemblies



Pneumatic



Electric



**Series 22**

**DIRECT MOUNT  
2-Piece Design**

Sizes 1/4" - 3"

Available in 316SST

Full Port Valve

Threaded Ends

1000 psi

NACE MR-0175

2-piece High Cycle Design

ISO 5211 Direct Actuator Mount

Blowout Proof Stem w/ Dual  
Anti-Static Devices

RTFE Seats Standard

Pyramidal Stem Seal Packing  
System

Lockable Manual Handle

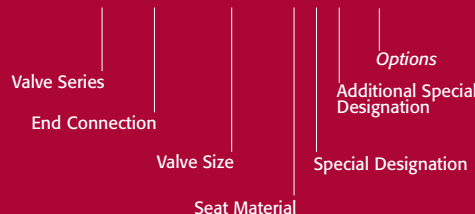
**STANDARDS**

|                           |                                   |
|---------------------------|-----------------------------------|
| Design                    | ANSI/ASME B16.34 (fully conforms) |
| End Connections           | ASME B1.20.1                      |
| Sulfide Stress Protection | NACE MR0175                       |
| Mounting                  | ISO 5211                          |
| Marking System for Valves | MSS SP-25, MSS SP-55              |
| Safety Integrity          | IEC 61508:2010; SIL 3             |
| Material Certification    | EN 10204-3.1 MTR                  |
| Quality Assurance         | ISO 9001:2015                     |

**HOW TO ORDER MANUAL VALVES**

SAMPLE PART #

**22-TH-0200-XXX-X**



See part number matrix for itemized options

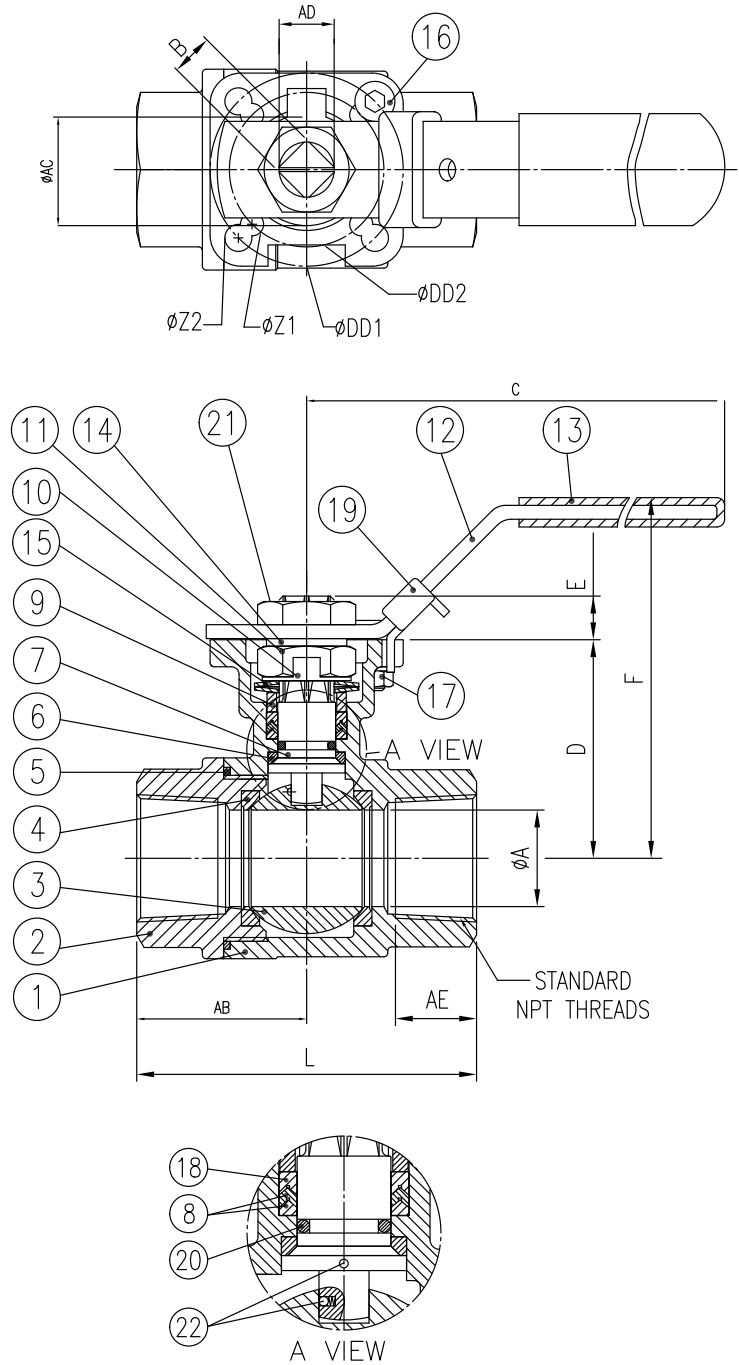


9955 International Blvd.  
Cincinnati, Ohio 45246  
www.atcontrols.com

PHONE (513) 247-5465  
FAX (513) 247-5462  
sales@atcontrols.com

### MATERIAL LIST

| NO. | PART NAME          | QTY | MATERIAL                          | REPAIR KIT |
|-----|--------------------|-----|-----------------------------------|------------|
| 1   | BODY               | 1   | ASTM A351 GRADE CF8M              |            |
| 2   | END CAP            | 1   | ASTM A351 GRADE CF8M              |            |
| 3   | BALL               | 1   | 1/4" THRU 3/8" ASTM A276 SS316    |            |
| 3   | BALL               | 1   | 1/2" THRU 3" ASTM A351 GRADE CF8M |            |
| 4   | SEAT               | 2   | RTFE                              | ✓          |
| 5   | JOINT GASKET       | 1   | PTFE                              | ✓          |
| 6   | STEM SEAL          | 1   | RTFE                              | ✓          |
| 7   | STEM               | 1   | ASTM A276 SS316                   |            |
| 8   | GLAND PACKING      | 1   | PTFE                              | ✓          |
| 9   | GLAND BUSHING      | 1   | AISI 304                          | ✓          |
| 10  | LOCK SADDLE        | 1   | AISI 304                          |            |
| 11  | STEM NUT           | 1   | AISI 304                          |            |
| 12  | HANDLE             | 1   | AISI 304                          |            |
| 13  | HANDLE SLEEVE      | 1   | VINYL                             |            |
| 14  | STEM WASHER        | 1   | AISI 304                          |            |
| 15  | BELLEVILLE WASHER  | 2   | AISI 301                          |            |
| 16  | STOP BOLT          | 1   | AISI 304                          |            |
| 17  | BOLT NUT           | 1   | AISI 304                          |            |
| 18  | GLAND PACKING      | 1   | RTFE                              |            |
| 19  | HANDLE LOCK        | 1   | AISI 304                          |            |
| 20  | O-RING             | 1   | FKM                               | ✓          |
| 21  | HANDLE NUT         | 1   | AISI 304                          |            |
| 22  | ANTI-STATIC DEVICE | 2   | AISI 316                          |            |



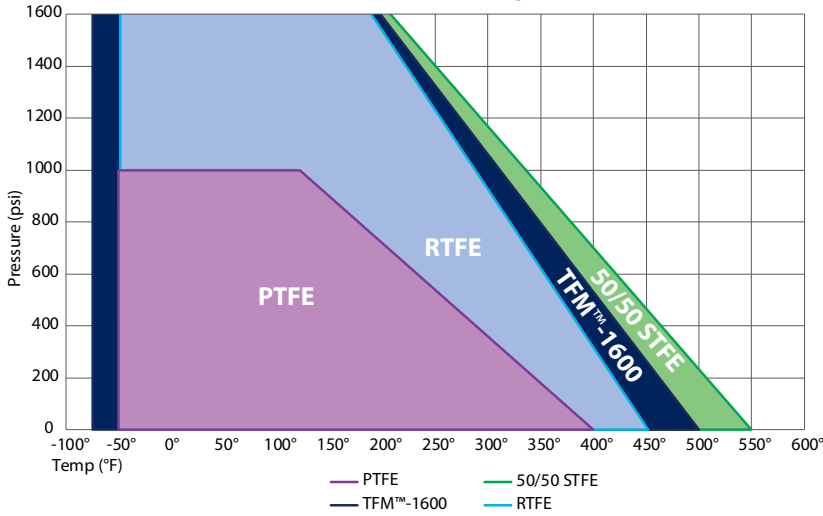
### DIMENSIONS (IN)

| SIZE   | A    | B     | C     | D    | E    | F    | L    | Z1   | Z2   | AB   | AC   | AD   | AE   | DD1   | DD2   | LBS   | ISO 5211    |
|--------|------|-------|-------|------|------|------|------|------|------|------|------|------|------|-------|-------|-------|-------------|
| 1/4"   | 0.45 | 0.354 | 5.88  | 1.53 | 0.26 | 2.99 | 2.56 | 0.26 | 0.28 | 1.28 | 0.92 | 0.43 | 0.55 | 1.417 | 1.969 | 1.23  | F03/F04/F05 |
| 3/8"   | 0.49 | 0.354 | 6.12  | 1.52 | 0.26 | 2.99 | 2.56 | 0.26 | 0.28 | 1.28 | 0.92 | 0.43 | 0.53 | 1.417 | 1.969 | 1.23  | F03/F04/F05 |
| 1/2"   | 0.59 | 0.354 | 5.83  | 1.60 | 0.26 | 3.05 | 2.56 | 0.26 | 0.28 | 1.28 | 0.92 | 0.43 | 0.53 | 1.417 | 1.969 | 1.23  | F03/F04/F05 |
| 3/4"   | 0.79 | 0.354 | 5.88  | 1.82 | 0.28 | 3.23 | 2.94 | 0.26 | 0.28 | 1.47 | 0.91 | 0.43 | 0.61 | 1.417 | 1.969 | 1.32  | F03/F04/F05 |
| 1"     | 0.98 | 0.433 | 6.77  | 2.24 | 0.43 | 3.74 | 3.46 | 0.26 | 0.28 | 1.73 | 1.26 | 0.56 | 0.72 | 1.654 | 1.969 | 2.40  | F04/F05     |
| 1-1/4" | 1.26 | 0.433 | 6.77  | 2.40 | 0.43 | 3.92 | 4.02 | 0.24 | 0.27 | 2.01 | 1.26 | 0.56 | 0.81 | 1.654 | 1.969 | 3.31  | F04/F05     |
| 1-1/2" | 1.50 | 0.551 | 8.51  | 3.06 | 0.55 | 4.00 | 4.33 | 0.29 | 0.35 | 2.17 | 1.53 | 0.75 | 0.76 | 1.969 | 2.756 | 5.62  | F05/F07     |
| 2"     | 1.97 | 0.551 | 8.51  | 3.35 | 0.56 | 5.16 | 4.92 | 0.29 | 0.35 | 2.46 | 1.53 | 0.75 | 0.89 | 1.969 | 2.756 | 7.93  | F05/F07     |
| 2-1/2" | 2.56 | 0.669 | 10.53 | 4.31 | 0.67 | 6.18 | 6.32 | 0.39 | 0.48 | 3.16 | 2.07 | 0.88 | 1.09 | 2.756 | 4.016 | 16.38 | F07/F10     |
| 3"     | 3.15 | 0.669 | 11.88 | 4.63 | 0.71 | 6.80 | 7.01 | 0.39 | 0.48 | 3.51 | 2.08 | 0.88 | 1.19 | 2.756 | 4.016 | 22.81 | F07/F10     |

# Direct Mount High Cycle Full Port Ball Valve

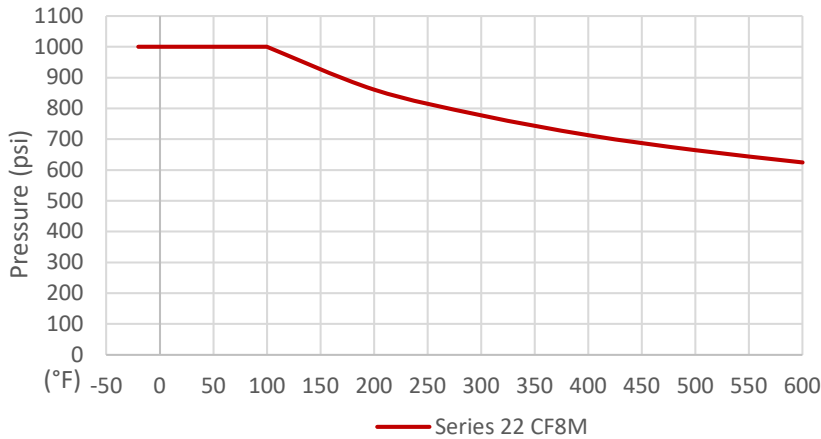
# Series 22

**Pressure vs. Temperature - Series 22**  
Seat Pressure Ratings



| Temp | Pressure - Seat Material |      |      |           |
|------|--------------------------|------|------|-----------|
|      | RTFE                     | STFE | PTFE | TFM™-1600 |
| -75° |                          |      |      | 2000      |
| -50° | 2000                     | 2000 | 1000 | 2000      |
| 100° | 2000                     | 2000 | 1000 | 2000      |
| 122° | 2000                     | 2000 | 1000 | 2000      |
| 150° | 1829                     | 1869 | 899  | 1852      |
| 200° | 1524                     | 1636 | 719  | 1587      |
| 250° | 1220                     | 1402 | 540  | 1323      |
| 300° | 915                      | 1168 | 360  | 1058      |
| 350° | 610                      | 935  | 180  | 794       |
| 400° | 305                      | 701  | 0    | 529       |
| 450° | 0                        | 467  |      | 265       |
| 500° |                          | 234  |      | 0         |
| 550° |                          | 0    |      |           |

**Pressure vs. Temperature - Series 22**



| Temp (°F) | Series 22 CF8M |
|-----------|----------------|
|           | psi            |
| -20°      | 1000           |
| 50°       | 1000           |
| 75°       | 1000           |
| 90°       | 1000           |
| 99°       | 1000           |
| 100°      | 1000           |
| 200°      | 861.11         |
| 300°      | 777.77         |
| 400°      | 713.33         |
| 500°      | 664.72         |
| 600°      | 625            |

| Break Away Torque for RTFE Seats |         |
|----------------------------------|---------|
| SIZE                             | IN-LBS. |
| 1/4"                             | 62      |
| 3/8"                             | 62      |
| 1/2"                             | 62      |
| 3/4"                             | 71      |
| 1"                               | 124     |
| 1-1/4"                           | 159     |
| 1-1/2"                           | 230     |
| 2"                               | 319     |
| 2-1/2"                           | 487     |
| 3"                               | 770     |

NOTE:  
For other seat material, consult factory.

| SIZE   | Cv  |
|--------|-----|
| 1/4"   | 7   |
| 3/8"   | 8   |
| 1/2"   | 15  |
| 3/4"   | 40  |
| 1"     | 70  |
| 1-1/4" | 110 |
| 1-1/2" | 250 |
| 2"     | 350 |
| 2-1/2" | 600 |
| 3"     | 900 |

| Component Temperature Ratings     |                 |                |
|-----------------------------------|-----------------|----------------|
| COMPONENT                         | MATERIAL        | TEMPERATURE    |
| Stem Seal                         | RTFE            | -50°F to 450°F |
| Gaskets                           | PTFE            | -50°F to 400°F |
| Seats (Other Materials Available) | PTFE            | -50°F to 400°F |
|                                   | RTFE (standard) | -50°F to 450°F |
|                                   | TFM™-1600       | -75°F to 500°F |
|                                   | 50/50 STFE      | -50°F to 550°F |

NOTE: At temperature, valves are limited by either the valve body/end cap pressure ratings, seat pressure ratings, or packing/stem seal/gaskets; whichever is lower.

# Pneumatic Double Acting Automated Ball Valve Package

Series 22  
Direct Mount

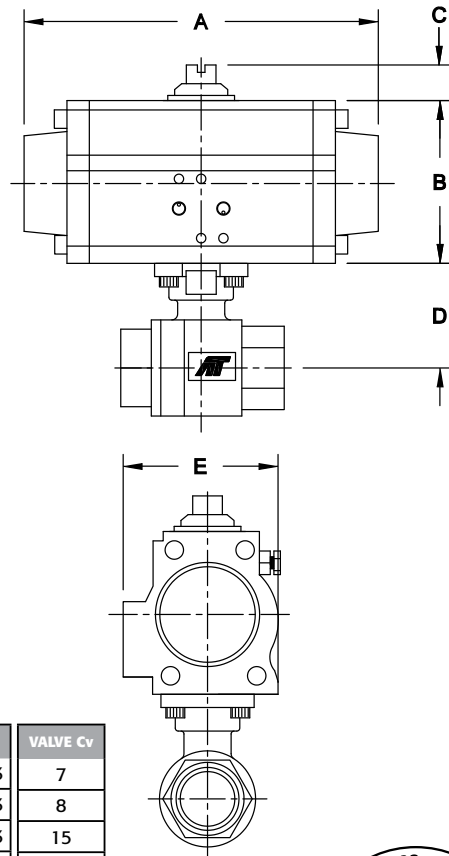
- Available in 316SST
- Sizes 1/4" – 3"
- Full Port Valve
- Threaded Ends
- 1000 psi
- NACE MR-0175
- 2-piece High Cycle Design
- Blowout Proof Stem w/ Dual Anti-Static Devices
- RTFE Seats Standard
- Pyramidal Stem Seal Design

### STANDARDS

|                           |                                   |
|---------------------------|-----------------------------------|
| Design                    | ANSI/ASME B16.34 (fully conforms) |
| End Connections           | ASME B1.20.1                      |
| Sulfide Stress Protection | NACE MR0175                       |
| Mounting                  | ISO 5211                          |
| Marking System for Valves | MSS SP-25, MSS SP-55              |
| Safety Integrity          | IEC 61508:2010; SIL 3             |
| Material Certification    | EN 10204-3.1 MTR                  |
| Quality Assurance         | ISO 9001:2015                     |



Direct Mount



### DIMENSIONS (IN)

| VALVE SIZE | A     | B    | C    | D    | E    | VALVE Cv |
|------------|-------|------|------|------|------|----------|
| 1/4"       | 4.57  | 1.91 | 0.79 | 1.53 | 1.93 | 7        |
| 3/8"       | 4.57  | 1.91 | 0.79 | 1.53 | 1.93 | 8        |
| 1/2"       | 4.57  | 1.91 | 0.79 | 1.60 | 1.93 | 15       |
| 3/4"       | 5.98  | 2.76 | 0.79 | 1.82 | 2.58 | 40       |
| 1"         | 5.98  | 2.76 | 0.79 | 2.24 | 2.58 | 70       |
| 1-1/4"     | 7.95  | 3.43 | 0.79 | 2.40 | 3.29 | 110      |
| 1-1/2"     | 7.95  | 3.43 | 0.79 | 3.06 | 3.29 | 250      |
| 2"         | 7.95  | 3.43 | 0.79 | 3.35 | 3.29 | 350      |
| 2-1/2"     | 9.29  | 4.49 | 0.79 | 4.31 | 4.41 | 600      |
| 3"         | 10.87 | 4.88 | 0.79 | 4.63 | 4.69 | 900      |

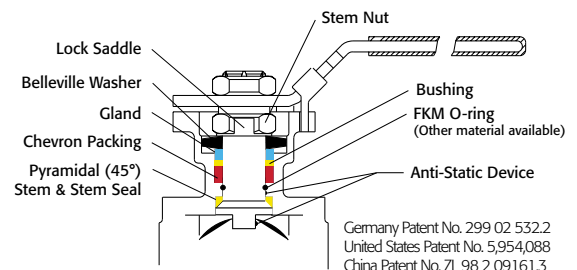
DIMENSIONS SHOWN ARE FOR ASSEMBLIES SIZED FOR 80 PSI SUPPLY

**SERIES 22 2-Piece Direct Mount**



| SIZED FOR<br>80 psi AIR SUPPLY |                   |
|--------------------------------|-------------------|
| SIZE                           | MODEL             |
| 1/4"                           | 22-TX-025/TRYD-XX |
| 3/8"                           | 22-TX-038/TRYD-XX |
| 1/2"                           | 22-TX-050/TRYD-XX |
| 3/4"                           | 22-TX-075/TR1D-XX |
| 1"                             | 22-TX-100/TR1D-XX |
| 1-1/4"                         | 22-TX-125/2R2D-XX |
| 1-1/2"                         | 22-TX-150/2R2D-XX |
| 2"                             | 22-TX-200/2R2D-XX |
| 2-1/2"                         | 22-TX-250/2R3D-XX |
| 3"                             | 22-TX-300/2R4D-XX |

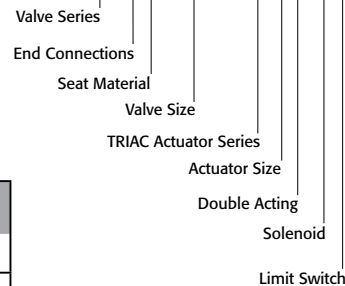
| SIZED FOR<br>60 psi AIR SUPPLY |                   |
|--------------------------------|-------------------|
| SIZE                           | MODEL             |
| 1/4"                           | 22-TX-025/TRYD-XX |
| 3/8"                           | 22-TX-038/TRYD-XX |
| 1/2"                           | 22-TX-050/TRYD-XX |
| 3/4"                           | 22-TX-075/TR1D-XX |
| 1"                             | 22-TX-100/TR1D-XX |
| 1-1/4"                         | 22-TX-125/2R2D-XX |
| 1-1/2"                         | 22-TX-150/2R3D-XX |
| 2"                             | 22-TX-200/2R3D-XX |
| 2-1/2"                         | 22-TX-250/2R3D-XX |
| 3"                             | 22-TX-300/2R4D-XX |



Germany Patent No. 299 02 532.2  
United States Patent No. 5,954,088  
China Patent No. ZL 98 2 09161.3

### SAMPLE PART #

**22-TX-100/2R3D-XX**



See valve part number matrix for complete part number and options.

### OPTIONS

| DESCRIPTION                 | PART NO. SUFFIX | DESCRIPTION                     | PART NO. SUFFIX |
|-----------------------------|-----------------|---------------------------------|-----------------|
| NEMA 4 Solenoid             | (A)             | NEMA 4 Limit Switch (2) spdt    | (A)             |
| NEMA 7 Solenoid             | (B)             | NEMA 7 Limit Switch (2) spdt    | (B)             |
| Intrinsically Safe Solenoid | (C)             | Intrinsically Safe Limit Switch | (C)             |

Other options available - call for details  
Actuators are sized based on clean/clear fluid.

# Pneumatic Spring Return Automated Ball Valve Package

Series 22  
Direct Mount

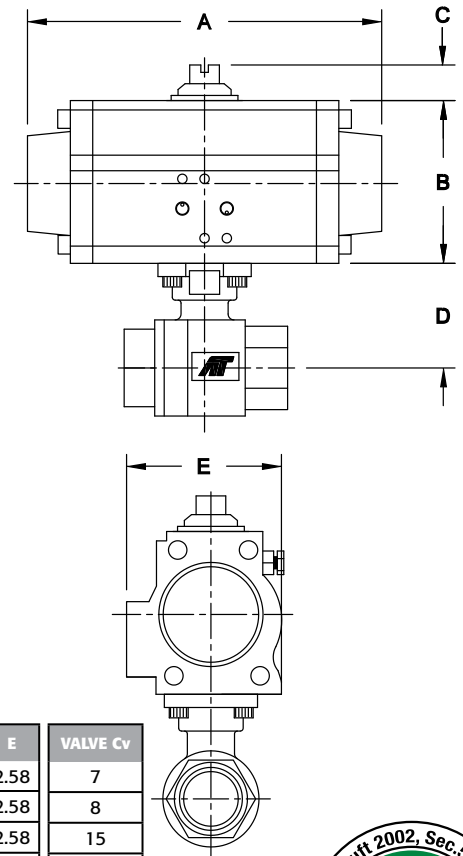
- Available in 316SST
- Sizes 1/4" – 3"
- Full Port Valve
- Threaded Ends
- 1000 psi
- NACE MR-0175
- 2-piece High Cycle Design
- Blowout Proof Stem w/ Dual Anti-Static Devices
- RTFE Seats Standard
- Pyramidal Stem Seal Design

### STANDARDS

|                           |                                   |
|---------------------------|-----------------------------------|
| Design                    | ANSI/ASME B16.34 (fully conforms) |
| End Connections           | ASME B1.20.1                      |
| Sulfide Stress Protection | NACE MR0175                       |
| Mounting                  | ISO 5211                          |
| Marking System for Valves | MSS SP-25, MSS SP-55              |
| Safety Integrity          | IEC 61508:2010; SIL 3             |
| Material Certification    | EN 10204-3.1 MTR                  |
| Quality Assurance         | ISO 9001:2015                     |



Direct Mount



### DIMENSIONS (IN)

| VALVE SIZE | A     | B    | C    | D    | E    | VALVE Cv |
|------------|-------|------|------|------|------|----------|
| 1/4"       | 7.60  | 2.76 | 0.79 | 1.53 | 2.58 | 7        |
| 3/8"       | 7.60  | 2.76 | 0.79 | 1.53 | 2.58 | 8        |
| 1/2"       | 7.60  | 2.76 | 0.79 | 1.60 | 2.58 | 15       |
| 3/4"       | 7.95  | 3.43 | 0.79 | 1.82 | 3.29 | 40       |
| 1"         | 7.95  | 3.43 | 0.79 | 2.24 | 3.29 | 70       |
| 1-1/4"     | 9.29  | 4.49 | 0.79 | 2.40 | 4.41 | 110      |
| 1-1/2"     | 9.29  | 4.49 | 0.79 | 3.06 | 4.41 | 250      |
| 2"         | 9.29  | 4.49 | 0.79 | 3.35 | 4.41 | 350      |
| 2-1/2"     | 11.46 | 5.28 | 0.79 | 4.31 | 5.20 | 600      |
| 3"         | 13.90 | 6.18 | 0.79 | 4.63 | 6.04 | 900      |

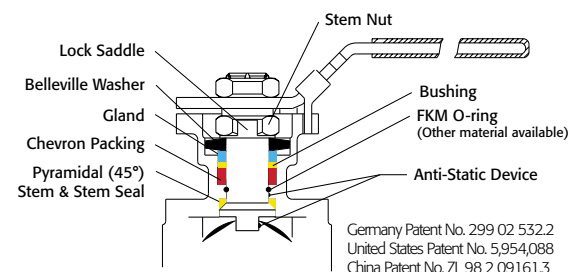
DIMENSIONS SHOWN ARE FOR ASSEMBLIES SIZED FOR 80 PSI SUPPLY



SERIES 22 2-piece Direct Mount

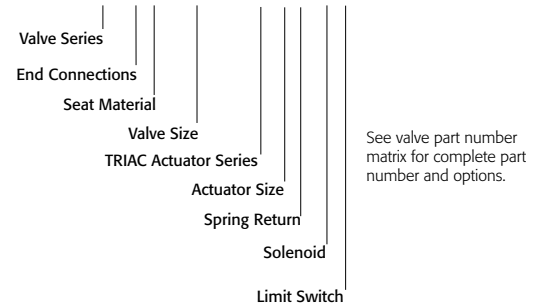
| SIZED FOR<br>80 psi AIR SUPPLY |                   |
|--------------------------------|-------------------|
| SIZE                           | MODEL             |
| 1/4"                           | 22-TX-025/TR1S-XX |
| 3/8"                           | 22-TX-038/TR1S-XX |
| 1/2"                           | 22-TX-050/TR1S-XX |
| 3/4"                           | 22-TX-075/2R2S-XX |
| 1"                             | 22-TX-100/2R2S-XX |
| 1-1/4"                         | 22-TX-125/2R3S-XX |
| 1-1/2"                         | 22-TX-150/2R3S-XX |
| 2"                             | 22-TX-200/2R3S-XX |
| 2-1/2"                         | 22-TX-250/2R5S-XX |
| 3"                             | 22-TX-300/2R6S-XX |

| SIZED FOR<br>60 psi AIR SUPPLY |                   |
|--------------------------------|-------------------|
| SIZE                           | MODEL             |
| 1/4"                           | 22-TX-025/TR1S-XX |
| 3/8"                           | 22-TX-038/TR1S-XX |
| 1/2"                           | 22-TX-050/TR1S-XX |
| 3/4"                           | 22-TX-075/2R2S-XX |
| 1"                             | 22-TX-100/2R3S-XX |
| 1-1/4"                         | 22-TX-125/2R3S-XX |
| 1-1/2"                         | 22-TX-150/2R4S-XX |
| 2"                             | 22-TX-200/2R4S-XX |
| 2-1/2"                         | 22-TX-250/2R5S-XX |
| 3"                             | 22-TX-300/2R6S-XX |



Germany Patent No. 299 02 532.2  
United States Patent No. 5,954,088  
China Patent No. ZL 98 2 09161.3

### SAMPLE PART # 22-TX-100/2R3S-XX



See valve part number matrix for complete part number and options.

| OPTIONS                     |                 |                                 |                 |
|-----------------------------|-----------------|---------------------------------|-----------------|
| DESCRIPTION                 | PART NO. SUFFIX | DESCRIPTION                     | PART NO. SUFFIX |
| NEMA 4 Solenoid             | (A)             | NEMA 4 Limit Switch (2) spdt    | (A)             |
| NEMA 7 Solenoid             | (B)             | NEMA 7 Limit Switch (2) spdt    | (B)             |
| Intrinsically Safe Solenoid | (C)             | Intrinsically Safe Limit Switch | (C)             |

Other options available - call for details  
Actuators are sized based on clean/clear fluid.

# Electric Automated Ball Valve Package

Series 22  
Direct Mount

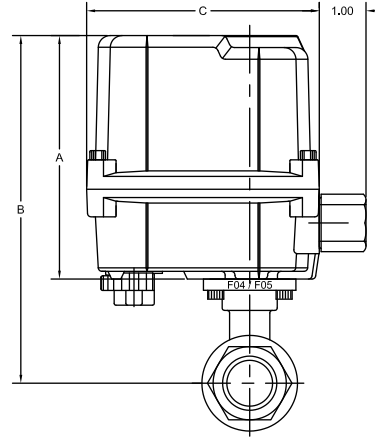
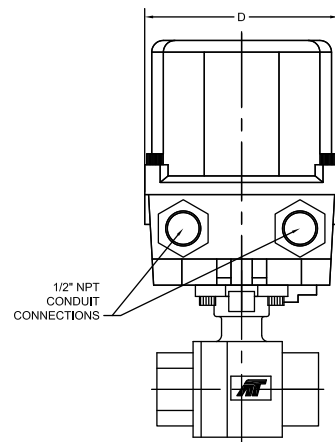
Available in 316SS  
Sizes 1/4"– 3"  
Full Port Valve  
Threaded Ends  
1000 psi  
NACE MR-0175  
2-piece High Cycle Design  
Blowout Proof Stem w/ Dual  
Anti-Static Devices  
RTFE Seats Standard  
Pyramidal Stem Seal Design

**STANDARDS**

|                           |                                   |
|---------------------------|-----------------------------------|
| Design                    | ANSI/ASME B16.34 (fully conforms) |
| End Connections           | ASME B1.20.1                      |
| Sulfide Stress Protection | NACE MR0175                       |
| Mounting                  | ISO 5211                          |
| Marking System for Valves | MSS SP-25, MSS SP-55              |
| Safety Integrity          | IEC 61508:2010; SIL 3             |
| Material Certification    | EN 10204-3.1 MTR                  |
| Quality Assurance         | ISO 9001:2015                     |



Direct Mount



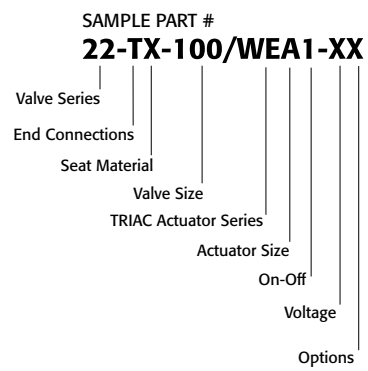
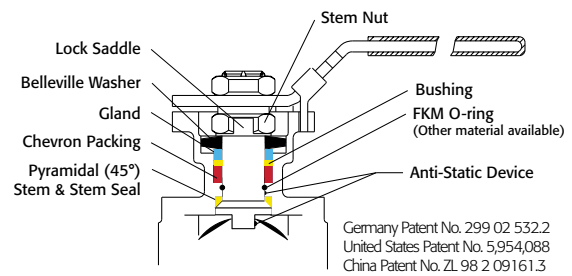
**DIMENSIONS (IN)**

| VALVE SIZE | A     | B     | C    | D     | VALVE Cv |
|------------|-------|-------|------|-------|----------|
| 1/4"       | 5.24  | 6.77  | 4.94 | 4.08  | 7        |
| 3/8"       | 5.24  | 6.77  | 4.94 | 4.08  | 8        |
| 1/2"       | 5.24  | 6.84  | 4.94 | 4.08  | 15       |
| 3/4"       | 5.24  | 7.06  | 4.94 | 4.08  | 40       |
| 1"         | 5.24  | 7.48  | 4.94 | 4.08  | 70       |
| 1-1/4"     | 5.24  | 7.64  | 4.94 | 4.08  | 110      |
| 1-1/2"     | 5.24  | 8.30  | 4.94 | 4.08  | 250      |
| 2"         | 5.24  | 8.59  | 4.94 | 4.08  | 350      |
| 2-1/2"     | 9.25  | 13.56 | 6.69 | 10.16 | 600      |
| 3"         | 10.55 | 15.18 | 9.02 | 13.31 | 900      |

**SERIES 22 2-Piece Direct Mount**

| ON-OFF |                   |
|--------|-------------------|
| SIZE   | MODEL             |
| 1/4"   | 22-TX-025/WEA1-XX |
| 3/8"   | 22-TX-038/WEA1-XX |
| 1/2"   | 22-TX-050/WEA1-XX |
| 3/4"   | 22-TX-075/WEA1-XX |
| 1"     | 22-TX-100/WEA1-XX |
| 1-1/4" | 22-TX-125/WEA1-XX |
| 1-1/2" | 22-TX-150/WEA1-XX |
| 2"     | 22-TX-200/WEA1-XX |
| 2-1/2" | 22-TX-250/WEB1-XX |
| 3"     | 22-TX-300/WEC1-XX |

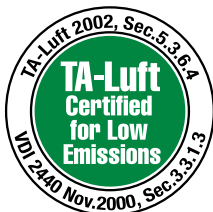
| MODULATING |                   |
|------------|-------------------|
| SIZE       | MODEL             |
| 1/4"       | 22-TX-025/WEA2-XX |
| 3/8"       | 22-TX-038/WEA2-XX |
| 1/2"       | 22-TX-050/WEA2-XX |
| 3/4"       | 22-TX-075/WEA2-XX |
| 1"         | 22-TX-100/WEA2-XX |
| 1-1/4"     | 22-TX-125/WEA2-XX |
| 1-1/2"     | 22-TX-150/WEA2-XX |
| 2"         | 22-TX-200/WEA2-XX |
| 2-1/2"     | 22-TX-250/WEB2-XX |
| 3"         | 22-TX-300/WEC2-XX |



See valve part number matrix for complete part number and options.

| OPTIONS                |
|------------------------|
| DESCRIPTION            |
| 24 VAC/24 VDC/220VAC   |
| Feedback potentiometer |

Other options available - call for details  
Actuators are sized based on clean/clear fluid.



# HOW TO ORDER: Manual Valves

# Series 22

| 2  | Valve Series                          |
|----|---------------------------------------|
| 22 | 2pc. Direct Mount 1000 psi, Full Port |

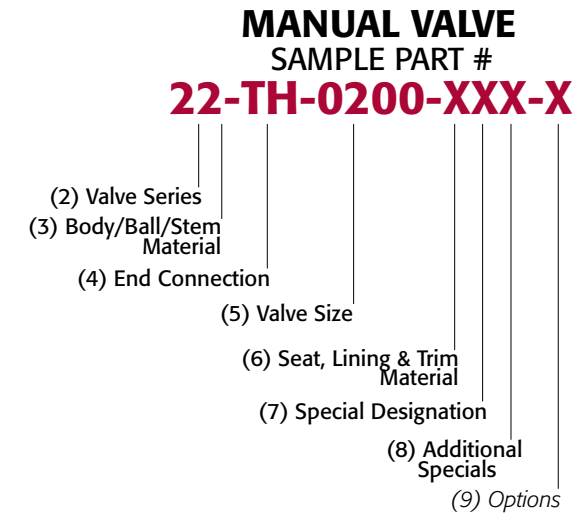
| 3     | Body/Ball/Stem Material        |
|-------|--------------------------------|
| Blank | Valve Series Standard (316SST) |

| 4  | End Connection |
|----|----------------|
| TH | NPT Ends       |

| 5    | Valve Size |             |
|------|------------|-------------|
| 0025 | 1/4"       | 0125 1-1/4" |
| 0038 | 3/8"       | 0150 1-1/2" |
| 0050 | 1/2"       | 0200 2"     |
| 0075 | 3/4"       | 0250 2-1/2" |
| 0100 | 1"         | 0300 3"     |

| 6 | Seat, Lining & Trim Materials |
|---|-------------------------------|
| X | Reinforced TFE Seats (RTFE)   |
| P | Virgin TFE (PTFE)             |
| U | UHMWPE Seats                  |
| S | 50/50 STFE Seats              |
| T | TFM™-1600                     |

| 7 | Special Designation                        |
|---|--|
| X | No Specials/Series Standard                |
| O | Oval Handle ( <i>available on some</i> )   |
| S | Spring Return ( <i>Direct Mount Only</i> ) |
| 4 | 4" Lockable Stem Extension                 |



| 8 | Additional Specials              |
|---|----------------------------------|
| X | No Specials, Series Standard     |
| O | Oxygen Cleaned                   |
| V | Vented Ball                      |
| E | Bonnet Extension Lockable Handle |
| D | Degreased & Bagged               |
| A | Vented Ball, Degreased & Bagged  |
| B | Vented Ball, Oxygen Cleaned      |

## OPTIONS:

| 9     | Special Designation                   |
|-------|---------------------------------------|
| Blank | No Designation, Valve Series Standard |
| X     | Multiple Option Designation           |

TFM™ is a trademark of Dyneon™, a 3M Company.

# HOW TO ORDER: Automated Valves w/ Options

| 2  | Valve Series                          |
|----|---------------------------------------|
| 22 | 2pc. Direct Mount 1000 psi, Full Port |

| 3     | Body/Ball/Stem Material       |
|-------|-------------------------------|
| Blank | Valve Series Standard (316SS) |

| 4 | End Connection |
|---|----------------|
| T | NPT Ends       |

| 5 | Seat, Lining & Trim Materials |
|---|-------------------------------|
| X | Reinforced TFE Seats (RTFE)   |
| P | Virgin TFE (PTFE)             |
| U | UHMWPE Seats                  |
| S | 50/50 STFE Seats              |
| T | TFM™-1600                     |

| 6   | Valve Size |            |
|-----|------------|------------|
| 025 | 1/4"       | 125 1 1/4" |
| 038 | 3/8"       | 150 1 1/2" |
| 050 | 1/2"       | 200 2"     |
| 075 | 3/4"       | 250 2 1/2" |
| 100 | 1"         | 300 3"     |

| 7    | Actuator - Pneumatic (DA) |      |          |  |
|------|---------------------------|------|----------|--|
| TRYD | TR10DA                    | 2R7D | 2R500DA  |  |
| TR1D | TR20DA                    | 2R8D | 2R850DA  |  |
| 2R2D | 2R40DA                    | 2R9D | 2R1200DA |  |
| 2R3D | 2R80DA                    | 2R0D | 2R1750DA |  |
| 2R4D | 2R130DA                   | 2RAD | 2R2500DA |  |
| 2R5D | 2R200DA                   | 2RBD | 2R3500DA |  |
| 2R6D | 2R300DA                   |      |          |  |

| 7    | Actuator - Pneumatic (SR) |      |          |  |
|------|---------------------------|------|----------|--|
| TR1S | TR20SR                    | 2R7S | 2R500SR  |  |
| 2R2S | 2R40SR                    | 2R8S | 2R850SR  |  |
| 2R3S | 2R80SR                    | 2R9S | 2R1200SR |  |
| 2R4S | 2R130SR                   | 2R0S | 2R1750SR |  |
| 2R5S | 2R200SR                   | 2RAS | 2R2500SR |  |
| 2R6S | 2R300SR                   | 2RBS | 2R3500SR |  |

| 7    | Actuator - Pneumatic Stainless (DA) |      |          |  |
|------|-------------------------------------|------|----------|--|
| S21D | S2-052DA                            | S25D | S2-125DA |  |
| S22D | S2-063DA                            | S26D | S2-140DA |  |
| S23D | S2-083DA                            | S27D | S2-160DA |  |
| S24D | S2-105DA                            | S28D | S2-210DA |  |

| 7    | Actuator - Pneumatic Stainless (SR) |      |          |  |
|------|-------------------------------------|------|----------|--|
| S21S | S2-052SR                            | S25S | S2-125SR |  |
| S22S | S2-063SR                            | S26S | S2-140SR |  |
| S23S | S2-083SR                            | S27S | S2-160SR |  |
| S24S | S2-105SR                            | S28S | S2-210SR |  |

| 7    | Actuator - Electric (On-Off) |      |          |  |
|------|------------------------------|------|----------|--|
| WEX1 | WE-350                       | WEG1 | WE-5200  |  |
| WEA1 | WE-500                       | WEH1 | WE-6900  |  |
| WEB1 | WE-690                       | WEJ1 | WE-10500 |  |
| WEC1 | WE-1350                      | WEK1 | WE-17500 |  |
| WED1 | WE-1700                      | WEL1 | WE-25900 |  |
| WEE1 | WE-2640                      | WEM1 | WE-53000 |  |
| WEF1 | WE-4400                      | WEN1 | WE-80000 |  |

| 7    | Actuator - Electric (Modulating) |      |           |  |
|------|----------------------------------|------|-----------|--|
| WEA2 | WEM-500                          | WEH2 | WEM-6900  |  |
| WEB2 | WEM-690                          | WEJ2 | WEM-10500 |  |
| WEC2 | WEM-1350                         | WEK2 | WEM-17500 |  |
| WED2 | WEM-1700                         | WEL2 | WEM-25900 |  |
| WEE2 | WEM-2640                         | WEM2 | WEM-53000 |  |
| WEF2 | WEM-4400                         | WEN2 | WEM-80000 |  |
| WEG2 | WEM-5200                         |      |           |  |

## OPTIONS:

| 8 | Accessories/Options             | Model no.         |
|---|---------------------------------|-------------------|
| X | No Specials                     |                   |
| A | TYPE 4 Solenoid 120VAC          | TVCS-X411-4N-A120 |
| B | TYPE 7 Solenoid 120VAC          | TVC6-X411-7N-A120 |
| C | Intrinsically Safe Solenoid     | TVIS-X411-4N-D24  |
| D | TYPE 4 Solenoid 24VDC           | TVCS-X411-4N-D24  |
| F | TYPE 7 Solenoid 24VDC           | TVC6-X411-7N-D24  |
| Q | TYPE 4 SST Solenoid 120VAC      | TVSS-X411-4N-A120 |
| M | TYPE 7 SST Solenoid 120VAC      | TVSS-X411-7N-A120 |
| L | TYPE 4 SST Solenoid 24VDC       | TVSS-X411-4N-D24  |
| N | TYPE 7 SST Solenoid 24VDC       | TVSS-X411-7N-D24  |
| P | Pneumatic Positioner            | PPR-1200          |
| E | Electro-Pneumatic Positioner    | EPR-1000          |
| R | 24VDC Electric Actuator         |                   |
| S | 220VAC Electric Actuator        |                   |
| T | Other Voltage Electric Actuator |                   |
| W | 12VDC Electric Actuator         |                   |
| Y | 24VAC Electric Actuator         |                   |

*\* No voltage specified on electric assemblies denotes 120VAC*

| 9 | Accessories                     | Model no.         |
|---|---------------------------------|-------------------|
| X | No Specials                     |                   |
| A | TYPE 4 Limit Switch             | APL-210N/APL-310N |
| B | TYPE 7 Limit Switch             | APL-510N          |
| C | Intrinsically Safe Limit Switch | APL-218N          |
| Q | TYPE 4 SST Limit Switch         | APL-910N          |
| M | TYPE 7 SST Limit Switch         | APL-510S          |
| 1 | HS1 High Speed Electric         |                   |
| 2 | HS2 High Speed Electric         |                   |

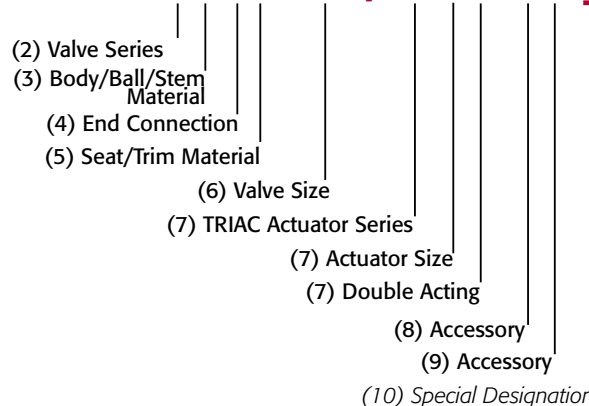
| 10    | Special Designation      |
|-------|--------------------------|
| Blank | No Designation, SST Stem |

*TFM™ is a trademark of Dyneon™, a 3M Company.*

## AUTOMATED VALVE

SAMPLE PART #

# 22-TX-100/2R3D-XX-



9955 International Blvd.  
 Cincinnati, Ohio 45246  
 www.atcontrols.com

PHONE (513) 247-5465  
 FAX (513) 247-5462  
 sales@atcontrols.com