



Triac Series 55 Ball Valves feature a high quality investment cast body and ends. They are available 1/4" – 4" with threaded, socket weld and butt weld ends. Superior leak protection is accomplished by using a live-loaded packing system including Belleville washers and double "V" ring packing.

VALVE SIZE	VALVE Cv
1/4"	7
3/8"	8
1/2"	15
3/4"	40
1"	70
1-1/4"	110
1-1/2"	250
2"	400
2-1/2"	600
3"	1100
4"	2000

Easy to Automate!

See automated data sheets for pre-sized assemblies



Pneumatic



Electric

A-T Controls, Inc.

Series 55 3-Piece Design

Sizes 1/4" - 4"

Full Port Design

Pressure Rating by size

1000 psi (1/4"-1 1/2")

800 psi (2"-2 1/2")

600 psi (3"-4")

Economical 3-pc design

Available in 316SST or WCB

Threaded, Socket Weld, or Butt Weld Ends

Live Loaded Packing System

ISO 5211 Actuator Mounting Pad

Blowout Proof Stem

RTFE Seats Standard

Lockable Manual Handle

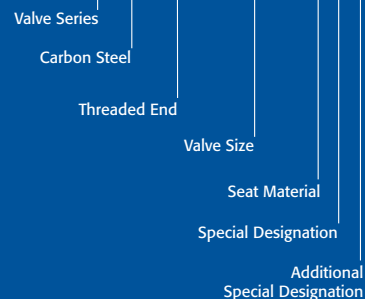
STANDARDS

Design	ANSI/ASME B16.34 (fully conforms)
End Connections	ASME B1.20.1, B16.11
Pressure Testing	API 598
Mounting	ISO 5211
Marking System for Valves	MSS SP-25
Material Certification	EN 10204-3.1 MTR
Quality Assurance	ISO 9001:2015

HOW TO ORDER MANUAL VALVES

SAMPLE PART #

55C-TH-0300-XXX



See part number matrix for itemized options

A-T Controls, Inc.

9955 International Blvd.
Cincinnati, Ohio 45246
www.atcontrols.com

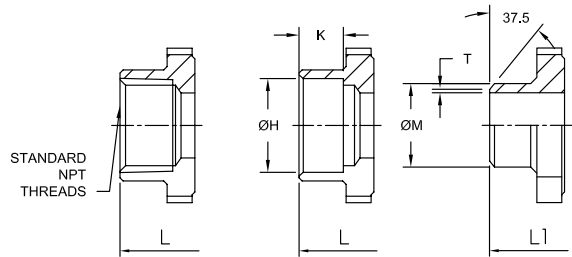
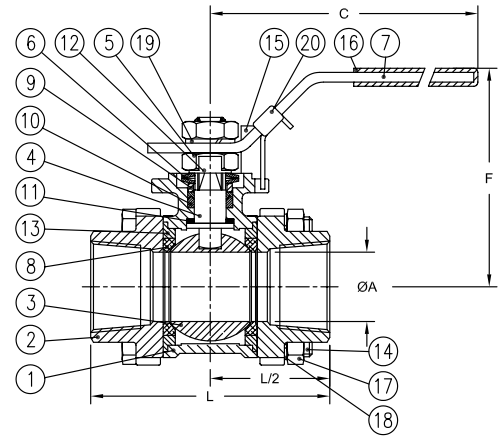
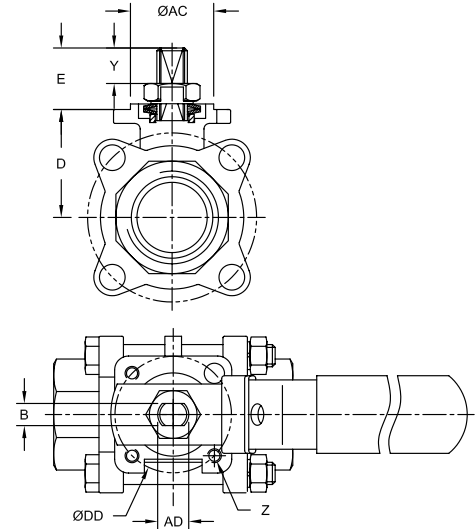
PHONE (513) 247-5465
FAX (513) 247-5462
sales@atcontrols.com

MATERIALS LIST

NO.	PART NAME	QTY.	STAINLESS STEEL	CARBON STEEL	REPAIR KIT
1	BODY	1	ASTM A351 GRADE CF8M	ASTM A216 GRADE WCB	
2	TH END CAP	2	ASTM A351 GRADE CF8M	ASTM A216 GRADE WCB	
2	BW/SW END CAP	2	ASTM A351 GRADE CF3M	ASTM A216 GRADE WCB	
3	BALL	1	1/4" THRU 3/8" ASTM A276 SS316	1/4" THRU 3/8" ASTM A276 SS316	
3	BALL	1	1/2" THRU 4" ASTM A351 GR CF8M	1/2" THRU 4" ASTM A351 GR CF8M	
4	STEM	1	ASTM A276 SS316	ASTM A276 SS316	
5	STEM NUT	2	AISI 304	AISI 304	
6	BELLEVILLE WASHER	2	AISI 301	AISI 301	
7	HANDLE	1	AISI 304	AISI 304	
8	SEAT	2	RTFE	RTFE	✓
9	GLAND BUSHING	1	AISI 304	AISI 304	
10	GLAND PACKING	1 [^]	PTFE	PTFE	✓
11	THRUST WASHER	1	RTFE	RTFE	✓
12	LOCK SADDLE	1	AISI 304	AISI 304	
13	JOINT GASKET	2	PTFE	PTFE	✓
14	BODY BOLT/STUD	*	ASTM A193 GRADE B8	**	
15	STOP BOLT	1	AISI 304	AISI 304	
16	HANDLE SLEEVE	1	VINYL	VINYL	
17	BODY NUT	#	ASTM A194 GRADE 8	##	
18	LOCK WASHER	#	AISI 304	AISI 304	
19	STEM WASHER	1	AISI 304	AISI 304	
20	HANDLE LOCK	1	AISI 304	AISI 304	

[^] PACKING SET
 * 1/4" THRU 3" QTY = 4 PCS
 * 4" QTY = 6 PCS
 # 1/4" THRU 2" QTY = 4 PCS
 #2-1/2" THRU 3" QTY = 8 PCS
 # 4" QTY = 12 PCS

** 1/4" THRU 1-1/2" ASTM A193 GRADE B8
 ** 2" THRU 4" ASTM A193 GRADE B7
 ## 1/4" THRU 1-1/2" ASTM A194 GRADE 8
 ## 2" THRU 4" ASTM A194 GRADE 2H



DIMENSIONS (IN)

SIZE	A	B	C	D	E	F	H	K	L	L1	M	T	Y	Z	AC	AD	DD	ISO 5211	LBS
1/4"	0.46	0.256	5.12	1.15	0.78	2.95	0.56	0.39	2.51	2.47	0.64	0.06	0.29	M5	0.98	0.374	1.417	F03	1.4
3/8"	0.50	0.256	5.12	1.15	0.78	2.95	0.69	0.39	2.51	2.47	0.69	0.06	0.29	M5	0.98	0.374	1.417	F03	1.4
1/2"	0.59	0.256	5.12	1.15	0.78	2.95	0.86	0.39	2.59	2.59	0.89	0.06	0.29	M5	0.98	0.374	1.417	F03	1.4
3/4"	0.79	0.256	5.12	1.28	0.69	3.03	1.07	0.51	3.00	3.00	1.08	0.06	0.25	M5	0.98	0.374	1.417	F03	1.7
1"	0.98	0.315	6.30	1.53	0.81	3.35	1.33	0.51	3.39	3.39	1.34	0.06	0.48	M5	1.18	0.433	1.654	F04	2.4
1-1/4"	1.26	0.315	6.30	1.59	0.96	3.62	1.69	0.51	4.05	4.05	1.68	0.06	0.43	M5	1.18	0.433	1.654	F04	3.7
1-1/2"	1.50	0.382	7.28	1.82	1.22	4.02	1.93	0.51	4.70	4.70	1.91	0.06	0.54	M6	1.38	0.551	1.969	F05	5.5
2"	1.97	0.382	7.28	2.15	1.22	4.33	2.41	0.63	5.17	5.17	2.38	0.06	0.54	M6	1.38	0.551	1.969	F05	8.0
2-1/2"	2.56	0.472	10.24	2.81	1.68	5.91	2.91	0.63	6.46	6.46	3.00	0.08	0.91	M8	2.17	0.748	2.756	F07	16.2
3"	3.15	0.472	10.24	3.33	1.55	6.38	3.54	0.63	7.19	7.19	3.54	0.08	0.74	M10	2.76	0.748	4.016	F10	23.5
4"	3.94	0.591	11.42	4.19	2.06	7.48	4.55	0.79	9.28	9.30	4.57	0.14	1.35	M10	2.76	0.945	4.016	F10	43.7

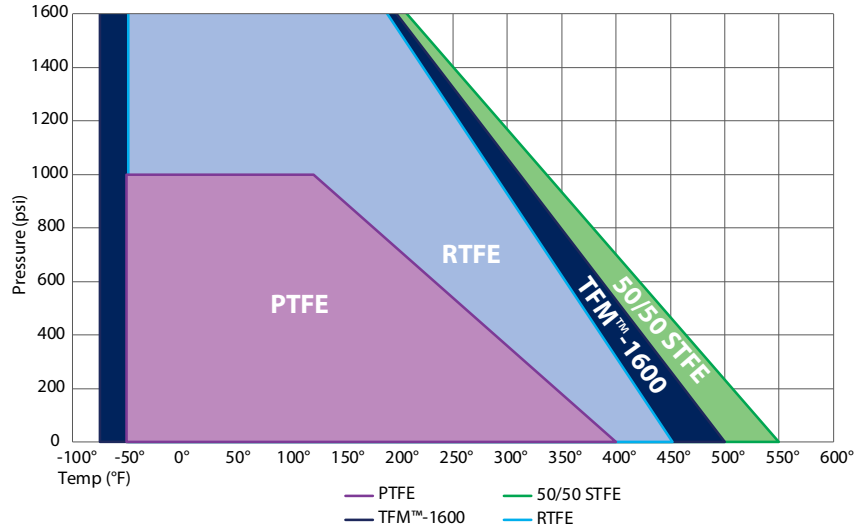
**Economical
Full Port
3-Piece Ball Valve**

**ISO 5211 Mounting Pad
600-1000 psi (by size)
1/4" to 4"**

Series 55

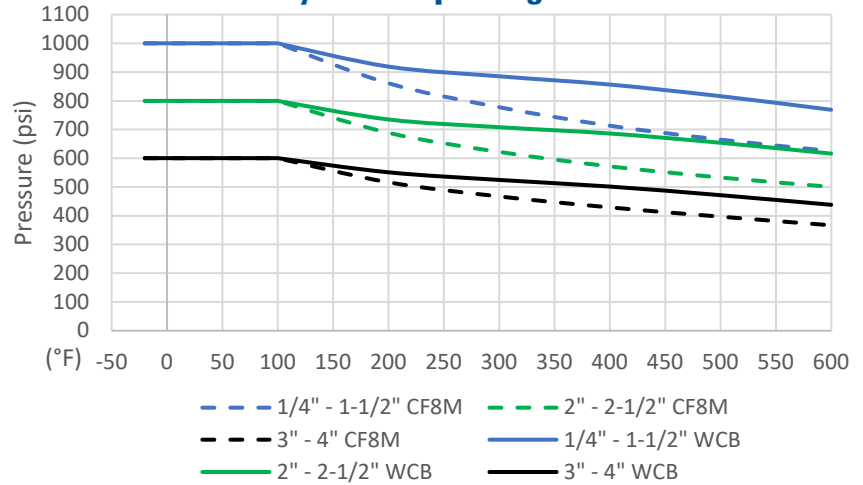
Temp	Pressure - Seat Material			
	RTFE	STFE	PTFE	TFM-1600
-75°				2000
-50°	2000	2000	1000	2000
100°	2000	2000	1000	2000
122°	2000	2000	1000	2000
150°	1829	1869	899	1852
200°	1524	1636	719	1587
250°	1220	1402	540	1323
300°	915	1168	360	1058
350°	610	935	180	794
400°	305	701	0	529
450°	0	467		265
500°		234		0
550°		0		

**PRESSURE VS. TEMPERATURE | SERIES 55
Seat Pressure Ratings**



SERIES 55/55C PRESSURE CLASS ASME B16.34-2017			
SIZE	SERIES 55	SERIES 55C	PRESSURE RATING (psi)
1/4"	416	405	1000
3/8"	416	405	1000
1/2"	416	405	1000
3/4"	416	405	1000
1"	416	405	1000
1-1/4"	416	405	1000
1-1/2"	416	405	1000
2"	333	324	800
2-1/2"	333	324	800
3"	260	254	600
4"	260	254	600

**PRESSURE VS. TEMPERATURE | SERIES 55
Body & End Cap Ratings B16.34-2017**



Component Temperature Ratings		
Component	Material	Temperature
Stem Packing	PTFE	-50°F to 400°F
Stem Seal	RTFE	-50°F to 450°F
Gaskets	PTFE	-50°F to 400°F
Seats (Other Materials Available)	PTFE	-50°F to 400°F
	RTFE	-50°F to 450°F
	TFM™-1600	-75°F to 500°F
	50/50 STFE	-50°F to 550°F

NOTE: At temperature, valves are limited by either the valve body/end cap pressure ratings, seat pressure ratings, or packing/stem seal/gaskets; whichever is lower.

**Break Away Torque
for RTFE Seats**

SIZE	IN-LBS.
1/4"	62
3/8"	62
1/2"	62
3/4"	80
1"	141
1-1/4"	150
1-1/2"	257
2"	319
2-1/2"	522
3"	691
4"	1151

NOTE: For other seat material consult factory.

Pneumatic Double Acting Automated Ball Valve Package

Series 55 3-Piece Ball Valve

Sizes 1/4" - 4"

Full Port Design

Available in 316SST or WCB

TH, SW, or BW Ends

600 - 1000 psi (by size)

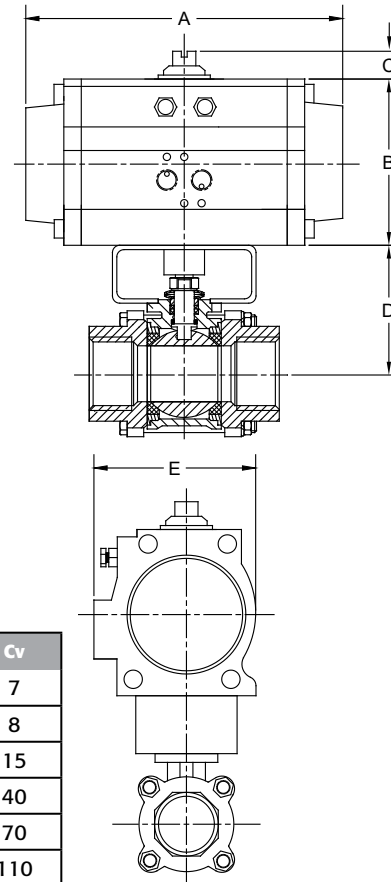
Live Loaded Packing System

Blowout Proof Stem

RTFE Seats Standard

STANDARDS

Design	ANSI/ASME B16.34 (fully conforms)
End Connections	ASME B1.20.1, B16.11
Pressure Testing	API 598
Mounting	ISO 5211
Marking System for Valves	MSS SP-25
Material Certification	EN 10204-3.1 MTR
Quality Assurance	ISO 9001:2015



SERIES 55 3-Piece

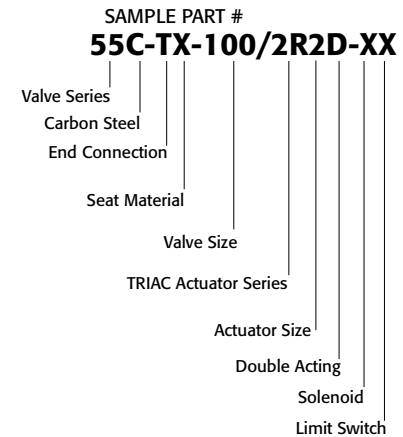
DIMENSIONS (IN)

SIZE	A	B	C	D	E	Cv
1/4"	5.98	2.76	0.79	2.63	2.58	7
3/8"	5.98	2.76	0.79	2.63	2.58	8
1/2"	5.98	2.76	0.79	2.63	2.58	15
3/4"	5.98	2.76	0.79	2.76	2.58	40
1"	7.95	3.43	0.79	3.09	3.29	70
1-1/4"	7.95	3.43	0.79	3.15	3.29	110
1-1/2"	9.29	4.49	0.79	3.39	4.41	250
2"	9.29	4.49	0.79	3.72	4.41	400
2-1/2"	9.29	4.49	0.79	5.43	4.41	600
3"	9.29	4.49	0.79	5.95	4.41	1,100
4"	11.46	5.28	0.79	6.81	5.2	2,000

DIMENSIONS SHOWN ARE FOR ASSEMBLIES SIZED FOR 80 PSI SUPPLY

SIZED FOR 80 psi AIR SUPPLY	
SIZE	MODEL
1/4"	55-TX-025/TR1D-XX
3/8"	55-TX-038/TR1D-XX
1/2"	55-TX-050/TR1D-XX
3/4"	55-TX-075/TR1D-XX
1"	55-TX-100/2R2D-XX
1-1/4"	55-TX-125/2R2D-XX
1-1/2"	55-TX-150/2R3D-XX
2"	55-TX-200/2R3D-XX
2-1/2"	55-TX-250/2R3D-XX
3"	55-TX-300/2R3D-XX
4"	55-TX-400/2R5D-XX

SIZED FOR 60 psi AIR SUPPLY	
SIZE	MODEL
1/4"	55-TX-025/TR1D-XX
3/8"	55-TX-038/TR1D-XX
1/2"	55-TX-050/TR1D-XX
3/4"	55-TX-075/TR1D-XX
1"	55-TX-100/2R2D-XX
1-1/4"	55-TX-125/2R3D-XX
1-1/2"	55-TX-150/2R3D-XX
2"	55-TX-200/2R3D-XX
2-1/2"	55-TX-250/2R3D-XX
3"	55-TX-300/2R4D-XX
4"	55-TX-400/2R6D-XX



See valve part number matrix for complete part number and options.

OPTIONS

DESCRIPTION	PART NO. SUFFIX	DESCRIPTION	PART NO. SUFFIX
TYPE 4 Solenoid	(A)	TYPE 4 Limit Switch (2) spdt	(A)
TYPE 7 Solenoid	(B)	TYPE 7 Limit Switch (2) spdt	(B)
Intrinsically Safe Solenoid	(C)	Intrinsically Safe Limit Switch	(C)

Other options available - call for details
Actuators are sized based on clean/clear fluid.

Pneumatic Spring Return

Automated Ball Valve Package

Series 55 3-Piece Ball Valve

Sizes 1/4" - 4"

Full Port Design

Available in 316SST or WCB

TH, SW, or BW Ends

600 - 1000 psi (by size)

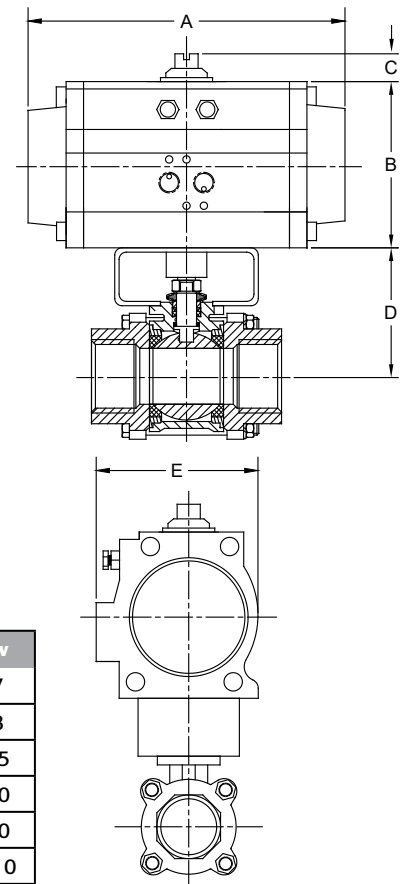
Live Loaded Packing System

Blowout Proof Stem

RTFE Seats Standard

STANDARDS

Design	ANSI/ASME B16.34 (fully conforms)
End Connections	ASME B1.20.1, B16.11
Pressure Testing	API 598
Mounting	ISO 5211
Marking System for Valves	MSS SP-25
Material Certification	EN 10204-3.1 MTR
Quality Assurance	ISO 9001:2015



SERIES 55 3-Piece

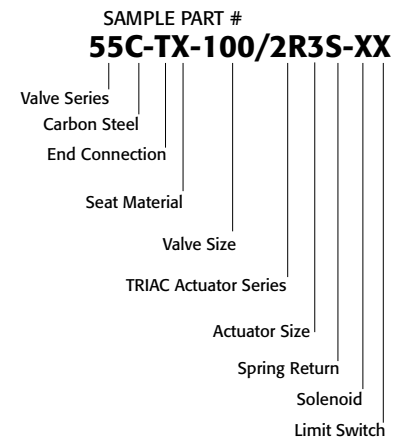
DIMENSIONS (IN)

SIZE	A	B	C	D	E	Cv
1/4"	5.98	2.76	0.79	2.63	2.58	7
3/8"	5.98	2.76	0.79	2.63	2.58	8
1/2"	5.98	2.76	0.79	2.63	2.58	15
3/4"	5.98	2.76	0.79	2.76	2.58	40
1"	7.95	3.43	0.79	3.09	3.29	70
1-1/4"	7.95	3.43	0.79	3.15	3.29	110
1-1/2"	9.29	4.49	0.79	3.39	4.41	250
2"	9.29	4.49	0.79	3.72	4.41	400
2-1/2"	9.29	4.49	0.79	5.43	4.41	600
3"	9.29	4.49	0.79	5.95	4.41	1,100
4"	11.46	5.28	0.79	6.81	5.2	2,000

DIMENSIONS SHOWN ARE FOR ASSEMBLIES SIZED FOR 80 PSI SUPPLY

SIZED FOR 80 psi AIR SUPPLY	
SIZE	MODEL
1/4"	55-TX-025/2R2S-XX
3/8"	55-TX-038/2R2S-XX
1/2"	55-TX-050/2R2S-XX
3/4"	55-TX-075/2R2S-XX
1"	55-TX-100/2R3S-XX
1-1/4"	55-TX-125/2R3S-XX
1-1/2"	55-TX-150/2R3S-XX
2"	55-TX-200/2R4S-XX
2-1/2"	55-TX-250/2R5S-XX
3"	55-TX-300/2R6S-XX
4"	55-TX-400/2R7S-XX

SIZED FOR 60 psi AIR SUPPLY	
SIZE	MODEL
1/4"	55-TX-025/2R2S-XX
3/8"	55-TX-038/2R2S-XX
1/2"	55-TX-050/2R2S-XX
3/4"	55-TX-075/2R3S-XX
1"	55-TX-100/2R3S-XX
1-1/4"	55-TX-125/2R3S-XX
1-1/2"	55-TX-150/2R4S-XX
2"	55-TX-200/2R4S-XX
2-1/2"	55-TX-250/2R5S-XX
3"	55-TX-300/2R6S-XX
4"	55-TX-400/2R7S-XX



See valve part number matrix for complete part number and options.

OPTIONS

DESCRIPTION	PART NO. SUFFIX	DESCRIPTION	PART NO. SUFFIX
TYPE 4 Solenoid	(A)	TYPE 4 Limit Switch (2) spdt	(A)
TYPE 7 Solenoid	(B)	TYPE 7 Limit Switch (2) spdt	(B)
Intrinsically Safe Solenoid	(C)	Intrinsically Safe Limit Switch	(C)

Other options available - call for details
Actuators are sized based on clean/clear fluid.

55SR(B16.34)-20200522
Copyright 2013 A-T Controls, Inc.

Electric

Automated Ball Valve Package

Series 55 3-Piece Ball Valve

Sizes 1/4" - 4"

Full Port Design

Available in 316SST or WCB

TH, SW, or BW Ends

600 - 1000 psi (by size)

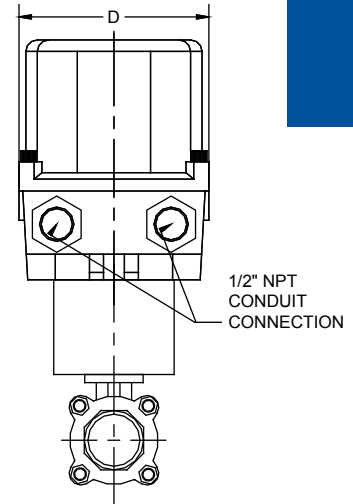
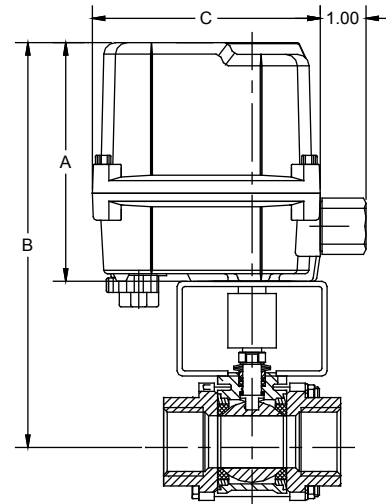
Live Loaded Packing System

Blowout Proof Stem

RTFE Seats Standard

STANDARDS

Design	ANSI/ASME B16.34 (fully conforms)
End Connections	ASME B1.20.1, B16.11
Pressure Testing	API 598
Mounting	ISO 5211
Marking System for Valves	MSS SP-25
Material Certification	EN 10204-3.1 MTR
Quality Assurance	ISO 9001:2015



SERIES 55 3-Piece

DIMENSIONS (IN)

VALVE SIZE	A	B	C	D	VALVE Cv
1/4"	5.24	7.87	4.94	4.08	7
3/8"	5.24	7.87	4.94	4.08	8
1/2"	5.24	7.87	4.94	4.08	15
3/4"	5.24	8.00	4.94	4.08	40
1"	5.24	8.33	4.94	4.08	70
1-1/4"	5.24	8.38	4.94	4.08	110
1-1/2"	5.24	8.63	4.94	4.08	250
2"	5.24	8.96	4.94	4.08	400
2-1/2"	9.25	14.68	6.69	10.16	600
3"	10.55	16.5	9.02	13.31	1,100
4"	10.55	17.36	9.02	13.31	2,000

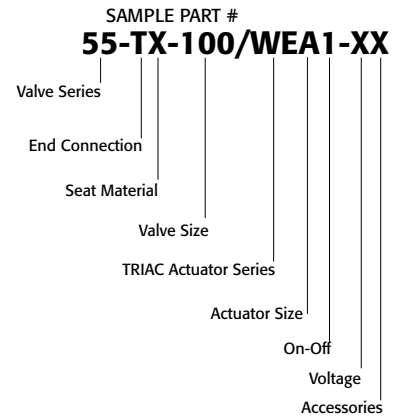
ON-OFF	
SIZE	MODEL
1/4"	55-TX-025/WEA1-XX
3/8"	55-TX-038/WEA1-XX
1/2"	55-TX-050/WEA1-XX
3/4"	55-TX-075/WEA1-XX
1"	55-TX-100/WEA1-XX
1-1/4"	55-TX-125/WEA1-XX
1-1/2"	55-TX-150/WEA1-XX
2"	55-TX-200/WEA1-XX
2-1/2"	55-TX-250/WEB1-XX
3"	55-TX-300/WEC1-XX
4"	55-TX-400/WED1-XX

MODULATING	
SIZE	MODEL
1/4"	55-TX-025/WEA2-XX
3/8"	55-TX-038/WEA2-XX
1/2"	55-TX-050/WEA2-XX
3/4"	55-TX-075/WEA2-XX
1"	55-TX-100/WEA2-XX
1-1/4"	55-TX-125/WEA2-XX
1-1/2"	55-TX-150/WEA2-XX
2"	55-TX-200/WEA2-XX
2-1/2"	55-TX-250/WEB2-XX
3"	55-TX-300/WEC2-XX
4"	55-TX-400/WED2-XX

OPTIONS
DESCRIPTION
24VAC/24VDC/220VAC
Feedback Potentiometer

NOTE: Heater and thermostat standard.
(2) auxiliary switches standard.
Actuators are sized based on clean/clear fluid.
Other options available.

55EL(B16.34)-20200522
Copyright 2013 A-T Controls, Inc.



See valve part number matrix for complete part number and options.

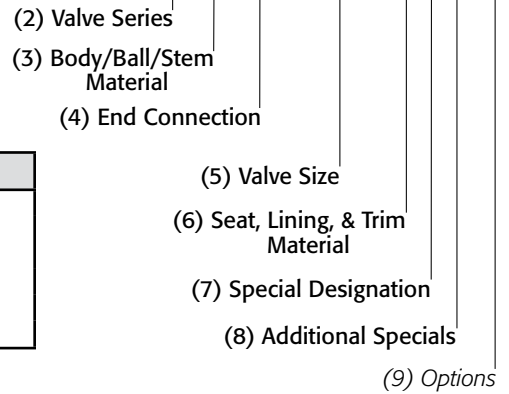
HOW TO ORDER: Manual Valves

Series 55

2	Valve Series
55	3pc. 1000 psi max, Full Port

3	Body/Ball/Stem Material
Blank	Valve Series Standard (316 SST)
C	Carbon Steel Body

MANUAL VALVE
SAMPLE PART #
55C-TH-300-XXX-



4	End Connection
TH	NPT Ends
SW	Socket Weld Ends
BW	Butt Weld Ends
EW	Extended Butt Weld Ends - Specials
TE	NPT x Extended Butt Weld - Specials
TS	NPT x Socket Weld - Specials

5	Valve Size
0025	1/4"
0038	3/8"
0050	1/2"
0075	3/4"
0100	1"
0125	1-1/4"
0150	1-1/2"
0200	2"
0250	2-1/2"
0300	3"
0400	4"

6	Seat, Lining & Trim Materials
X	Reinforced TFE Seats (RTFE)
P	Virgin TFE Seats (PTFE)
U	UHMWPE Seats
S	50/50 STFE Seats
C	25% CS Powder/75% TFE Seats (CTFE)
T	TFM™-1600 Seats
E	All TFM™-1600 Seats, Seals, & Packing
M	MG1241 Seats

7	Special Designation
X	No Specials/Series Standard
G	Gear Operator
H	Gear Operator with Lockout Plate
O	Oval Handle (<i>available in some</i>)
4	4" Lockable Stem Extension

8	Additional Specials
X	No Specials, Series Standard
O	Oxygen Cleaned
V	Vented Ball
E	Bonnet Extension Lockable Handle
F	Fugitive Emissions Bonnet
D	Degreased & Bagged
A	Vented Ball, Degreased & Bagged
B	Vented Ball, Oxygen Cleaned

OPTIONS:

9	Special Designation
Blank	No Designation, Valve Series Standard

TFM™ is a trademark of Dyneon™, a 3M Company.

Series 55

HOW TO ORDER: Automated Valves w/ Options

2	Valve Series
55	3pc. 1000 psi max, Full Port

3	Body/Ball/Stem Material
Blank	Valve Series Standard (316 SST)
C	Carbon Steel Body

4	End Connection
T	NPT Ends
S	Socket Weld Ends
B	Butt Weld Ends
E	Extended Butt Weld Ends - Specials
M	NPT x Socket Weld - Specials

5	Seat, Lining & Trim Materials
X	Reinforced TFE Seats (RTFE)
P	Virgin TFE Seats (PTFE)
U	UHMWPE Seats
S	50/50 STFE Seats
C	25% CS Powder/75% TFE Seats (CTFE)
T	TFM™-1600 Seats
E	All TFM™-1600 Seats, Seals, & Packing
M	MG1241 Seats

6	Valve Size	
025	1/4"	125 1-1/4"
038	3/8"	150 1-1/2"
050	1/2"	200 2"
075	3/4"	250 2-1/2"
100	1"	300 3"
		400 4"

7	Actuator - Pneumatic (DA)			
TRYD	TR10DA	2R7D	2R500DA	
TR1D	TR20DA	2R8D	2R850DA	
2R2D	2R40DA	2R9D	2R1200DA	
2R3D	2R80DA	2R0D	2R1750DA	
2R4D	2R130DA	2RAD	2R2500DA	
2R5D	2R200DA	2RBD	2R3500DA	
2R6D	2R300DA			

7	Actuator - Pneumatic (SR)			
TR1S	TR20SR	2R7S	2R500SR	
2R2S	2R40SR	2R8S	2R850SR	
2R3S	2R80SR	2R9S	2R1200SR	
2R4S	2R130SR	2R0S	2R1750SR	
2R5S	2R200SR	2RAS	2R2500SR	
2R6S	2R300SR	2RBS	2R3500SR	

7	Actuator - Pneumatic Stainless (DA)			
S21D	S2-052DA	S25D	S2-125DA	
S22D	S2-063DA	S26D	S2-140DA	
S23D	S2-083DA	S27D	S2-160DA	
S24D	S2-105DA	S28D	S2-210DA	

7	Actuator - Pneumatic Stainless (SR)			
S21S	S2-052SR	S25S	S2-125SR	
S22S	S2-063SR	S26S	S2-140SR	
S23S	S2-083SR	S27S	S2-160SR	
S24S	S2-105SR	S28S	S2-210SR	

7	Actuator - Electric (On-Off)			
WEX1	WE-350	WEG1	WE-5200	
WEA1	WE-500	WEH1	WE-6900	
WEB1	WE-690	WEJ1	WE-10500	
WEC1	WE-1350	WEK1	WE-17500	
WED1	WE-1700	WEL1	WE-25900	
WEE1	WE-2640	WEM1	WE-53000	
WEF1	WE-4400	WEN1	WE-80000	

7	Actuator - Electric (Modulating)			
WEA2	WEM-500	WEH2	WEM-6900	
WEB2	WEM-690	WEJ2	WEM-10500	
WEC2	WEM-1350	WEK2	WEM-17500	
WED2	WEM-1700	WEL2	WEM-25900	
WEE2	WEM-2640	WEM2	WEM-53000	
WEF2	WEM-4400	WEN2	WEM-80000	
WEG2	WEM-5200			

OPTIONS:

8	Accessories/Options	Model no.
X	No Specials	
A	TYPE 4 Solenoid 120VAC	TVCS-X411-4N-A120
B	TYPE 7 Solenoid 120VAC	TVC6-X411-7N-A120
C	Intrinsically Safe Solenoid	TVIS-X411-4N-D24
D	TYPE 4 Solenoid 24VDC	TVCS-X411-4N-D24
F	TYPE 7 Solenoid 24VDC	TVC6-X411-7N-D24
Q	TYPE 4 SST Solenoid 120VAC	TVSS-X411-4N-A120
M	TYPE 7 SST Solenoid 120VAC	TVSS-X411-7N-A120
L	TYPE 4 SST Solenoid 24VDC	TVSS-X411-4N-D24
N	TYPE 7 SST Solenoid 24VDC	TVSS-X411-7N-D24
P	Pneumatic Positioner	PPR-1200
E	Electro-Pneumatic Positioner	EPR-1000
R	24VDC Electric Actuator	
S	220VAC Electric Actuator	
T	Other Voltage Electric Actuator	
W	12VDC Electric Actuator	
Y	24VAC Electric Actuator	

** No voltage specified on electric assemblies denotes 120VAC*

9	Accessories	Model no.
X	No Specials	
A	TYPE 4 Limit Switch	APL-210N/APL-310N
B	TYPE 7 Limit Switch	APL-510N
C	Intrinsically Safe Limit Switch	APL-218N
Q	TYPE 4 SST Limit Switch	APL-910N
M	TYPE 7 SST Limit Switch	APL-510S
1	HS1 High Speed Electric	
2	HS2 High Speed Electric	

10	Special Designation
Blank	No Designation, SST Stem

TFM™ is a trademark of Dyneon™, a 3M Company.

AUTOMATED VALVE

SAMPLE PART #

55-TX-100/2R3D-XX-

