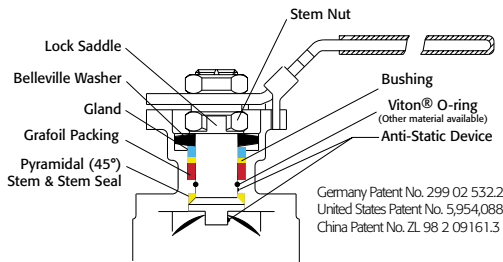


**API 607 - 6th Edition
CERTIFIED**



The F88 Series Firesafe Ball Valves have successfully passed the API-607 6th Edition test. They are available with CF8M or WCB body. These high quality investment cast valves feature a fully machined bore. The superior live-loaded packing system is accomplished with Belleville washers, "V"- ring packing and a unique primary pyramidal stem seal. This advanced sealing system provides protection against stem leaks experienced by ordinary ball valves.



Conforms to ASME B16.34 (2017)

- SST Body - Class 260 to 600
- WCB Body - Class up to 600

RTFE seats are standard, but various options are available for seat materials. The 50/50 STFE seat option is excellent for services that call for higher temperatures and more difficult applications including steam. Call us for details.

Easy to Automate!

See automated data sheets for pre-sized assemblies



Pneumatic



Electric

AT A-T Controls, Inc.

Series F88

FIRESAFE

3-Piece Design

Sizes 1/4" - 4"

Full Port Design

Conforms to ASME B16.34 (2017)

- Classes up to 600
- 1000 to 2000 psi (BPVC) by size

CF8M or WCB

Threaded, Socket Weld, or Butt Weld Ends

Superior Live Loaded Packing System

Direct Mount

Blowout Proof Stem w/ Dual Anti-Static Devices

RTFE Seats Standard

Pyramidal Stem Seal Design

Monel Ball & Stem Available

Lockable Manual Handle

STANDARDS

Conforms to ASME B16.34 (2017)

End Connections	ASME B16.25, B1.20.1, B16.11
Pressure Testing	API 598
Fire Testing	API 607-6th Edition
Sulfide Stress Protection	NACE MR0175
Mounting	ISO 5211
Marking System for Valves	MSS SP-25, ISO 5209
Safety Integrity	IEC 61508:2010; SIL 3
Material Certification	EN 10204-3.1 MTR
Quality Assurance	ISO 9001:2015
Gas Shut-off Valve	CSA 3.16-15
Fugitive Emissions	ISO 15848-1

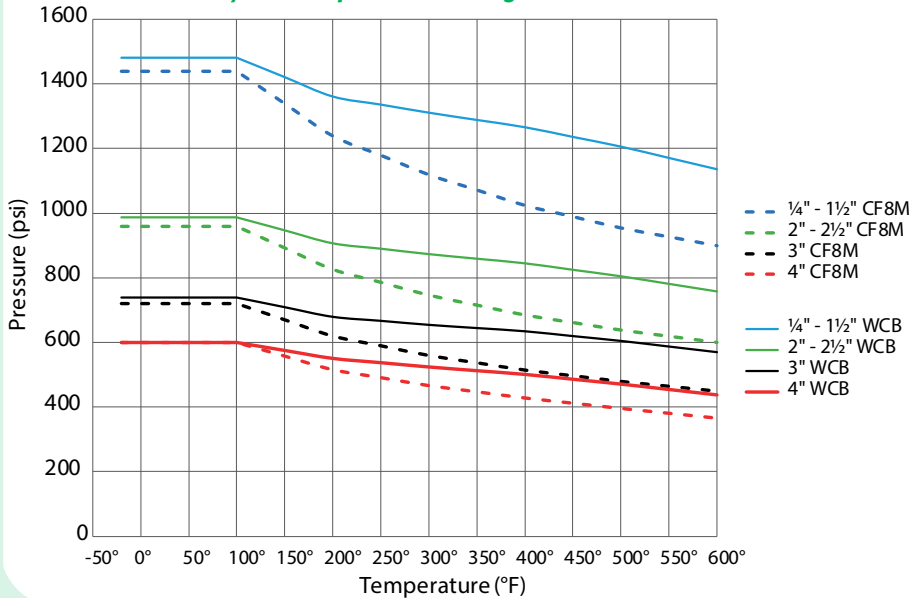
Page 2	Valve Technical Data
Page 3	Valve Materials & Dimensions
Page 4	Double Acting Automation
Page 5	Spring Return Automation
Page 6	Electric Automation
Page 7	How to Order & Options

AT A-T Controls, Inc.

9955 International Blvd.
Cincinnati, Ohio 45246
www.atcontrols.com

PHONE (513) 247-5465
FAX (513) 247-5462
sales@atcontrols.com

Pressure vs. Temperature | Series F88 Body & End Cap Pressure Ratings B16.34-2017



Pressure Class/Rating		
Size	ASME B16.34-2017 Pressure Class	BPVC*-2019 Pressure Rating (psig)
1/4" - 1"	600	2000
1 1/4" - 1 1/2"	600	1500
2"	400	1500
2 1/2"	400	1000
3"	300	1000
4"	260 (F88) 254 (F88C)	1000

*ASME Boiler Pressure Vessel Code

Break Away Torque for RTFE Seats

SIZE	IN-LBS.
1/4"	70
3/8"	70
1/2"	75
3/4"	100
1"	145
1 1/4"	220
1 1/2"	300
2"	420
2 1/2"	560
3"	900
4"	1,500

NOTE: For other seat material, consult factory

Cv

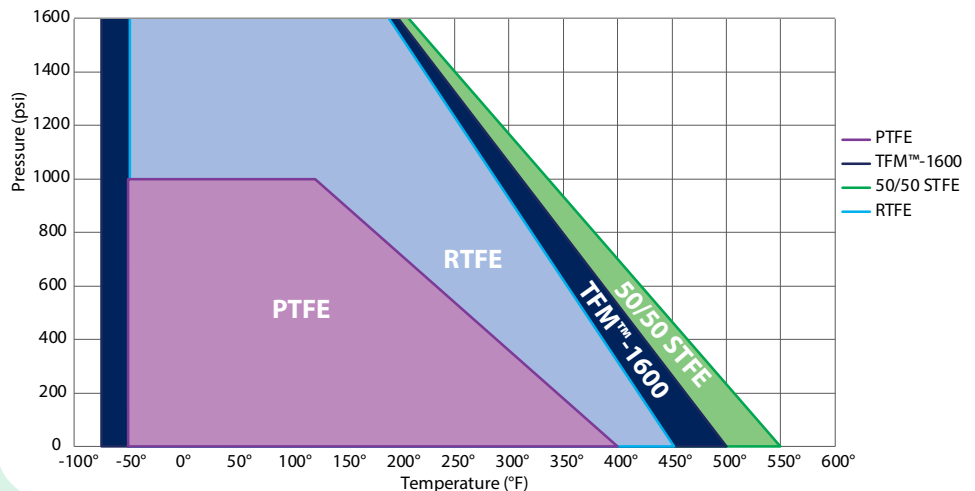
SIZE	Cv
1/4"	7
3/8"	8
1/2"	15
3/4"	40
1"	70
1 1/4"	110
1 1/2"	250
2"	430
2 1/2"	600
3"	1,100
4"	2,000

Pressure Class B16.34 (2017)				
Size	CF8M		WCB	
	Class	Rating (psi)	Class	Rating (psi)
1/4"	600	1440	600	1480
3/8"	600	1440	600	1480
1/2"	600	1440	600	1480
3/4"	600	1440	600	1480
1"	600	1440	600	1480
1 1/4"	600	1440	600	1480
1 1/2"	600	1440	600	1480
2"	400	960	400	986
2 1/2"	400	960	400	986
3"	300	720	300	740
4"	260	600	254	600

F88 Component Temperature Ratings		
Component	Material	Temperature
Stem Packing	Graphite	-100°F to 1100°F
Stem Seal	TFM™-1600	-75°F to 500°F
Gaskets	Graphite	-100°F to 1100°F
	PTFE	-50°F to 400°F
Seats (other materials available)	RTFE (standard)	-50°F to 450°F
	TFM™-1600	-75°F to 500°F
	50/50 STFE	-50°F to 550°F
O-Rings	FKM (standard)	-20°F to 450°F
	Markez® Z1028	5°F to 608°F
	Kalrez® 4079	30°F to 600°F
	Chemraz® 505	-22°F to 446°F
	Kalrez® 6375	-4°F to 527°F
	Perlast® G75M	5°F to 500°F
	Chemraz® 564	-40°F to 445°F
	Low Temp Buna	-65°F to 275°F
	EPDM	-70°F to 250°F
Silicone	-60°F to 400°F	

Pressure vs. Temperature | Series F88 Seat Pressure Ratings

Temp	Pressure - Seat Material			
	RTFE	STFE	PTFE	TFM™-1600
-75°				2000
-50°	2000	2000	1000	2000
100°	2000	2000	1000	2000
122°	2000	2000	1000	2000
150°	1829	1869	899	1852
200°	1524	1636	719	1587
250°	1220	1402	540	1323
300°	915	1168	360	1058
350°	610	935	180	794
400°	305	701	0	529
450°	0	467		265
500°		234		0
550°		0		



**High Performance, Full Port
3-Piece Ball Valve
ISO 5211 Direct Mount**

**Classes up to 600
1000 - 2000 psi by size
1/4" to 4"**

Series F88

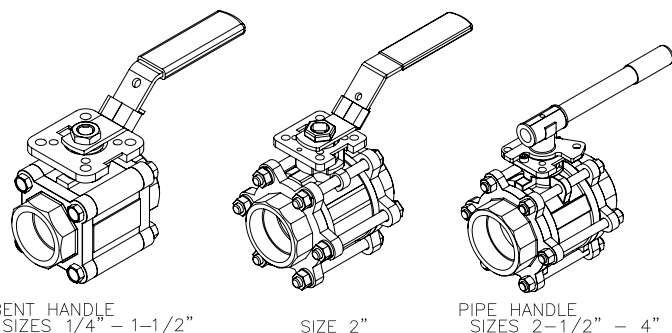
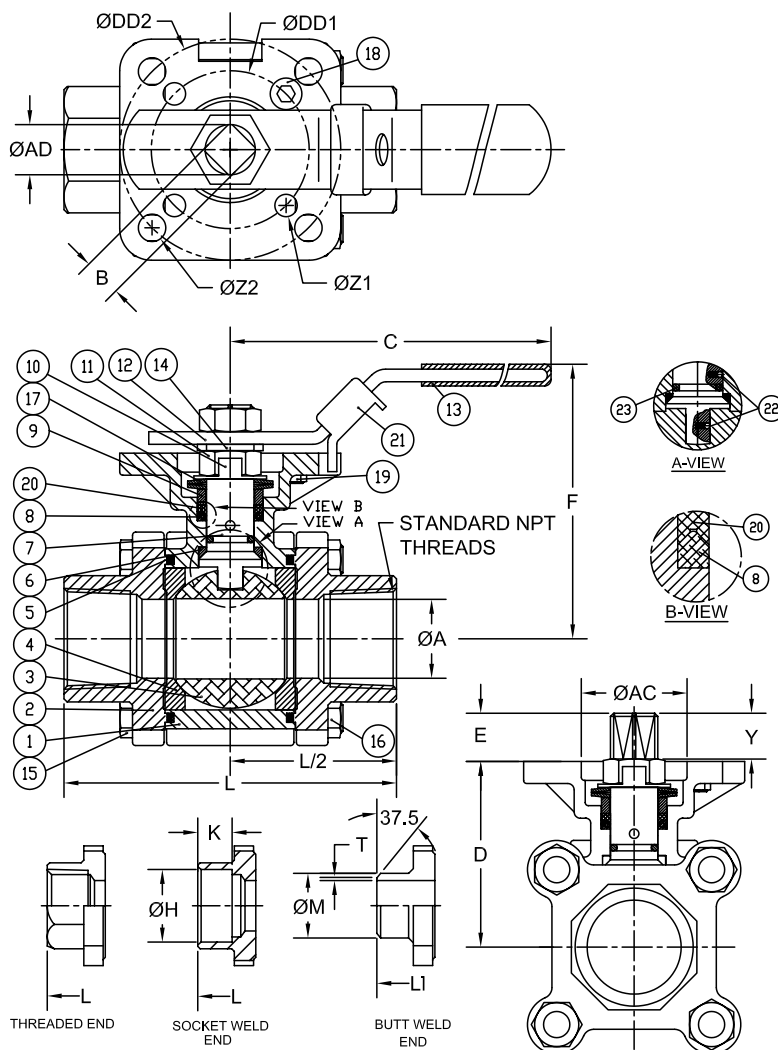
**API 607 - 6th Edition
CERTIFIED**

MATERIALS LIST

NO.	PART NAME	QTY	STAINLESS STEEL	CARBON STEEL	REPAIR KIT
1	BODY	1	ASTM A351 GRADE CF8M	ASTM A216 GRADE WCB	
2	TH END CAP	2	ASTM A351 GRADE CF8M	ASTM A216 GRADE WCB	
2	BW/SW END CAP	2	ASTM A351 GRADE CF3M	ASTM A216 GRADE WCB	
3	BALL	1	1/4" THRU 3/8" ASTM A276 SS316	1/4" THRU 3/8" ASTM A276 SS316	
3	BALL	1	1/2" THRU 4" ASTM A351 GRADE CF8M	1/2" THRU 4" ASTM A351 GRADE CF8M	
4	SEAT	2	RTFE	RTFE	✓
5	JOINT GASKET	2	GRAPHITE	GRAPHITE	✓
6	STEM SEAL	1	TFM™-1600	TFM™-1600	✓
7	STEM	1	ASTM A276 SS316	ASTM A276 SS316	
8	GLAND PACKING	1	GRAPHITE	GRAPHITE	✓
9	GLAND BUSHING	1	AISI 304	AISI 304	
10	LOCK SADDLE	1	AISI 304	AISI 304	
11	STEM NUT	1	AISI 304	AISI 304	
12	HANDLE	1	AISI 304	AISI 304	
13	HANDLE SLEEVE	1	VINYL	VINYL	
14	STEM WASHER	1	AISI 304	AISI 304	
15	BODY BOLT/STUD	*	ASTM A193 GRADE B8M	ASTM A193 GRADE B7M	
16	BODY NUT	#	ASTM A194 GRADE 8M	ASTM A194 GRADE 2HM	
17	BELLEVILLE WASHER	2	AISI 301	AISI 301	
18	STOP BOLT	1	AISI 304	AISI 304	
19	STOP BOLT NUT	1	AISI 304	AISI 304	
20	GLAND WASHER	1	RTFE	RTFE	✓
21	HANDLE LOCK	1	AISI 304	AISI 304	
22	ANTI-STATIC DEVICE	2	AISI 316	AISI 316	
23	STEM O-RING	1	FKM	FKM	✓

NOTE: Sizes 2 1/2" thru 4" include stainless steel seat retainers rings.

* 1/4" THRU 1 1/2" QTY = 4 PCS # 1/2" THRU 1 1/2" QTY = 8 PCS
 * 2" THRU 4" QTY = 6 PCS # 2" THRU 4" QTY = 12 PCS
 # 1/4" THRU 3/8" QTY = 4 PCS



DIMENSIONS (IN)

SIZE	øA	B	C	D	E	F	H	K	L	L1	M	T	Y	AC	AD	DD1	DD2	øZ2	øZ1	(LBS)	ISO 5211
1/4"	0.45	0.354	5.47	1.66	0.25	3.00	0.55	0.39	2.95	2.95	0.85	0.13	0.25	1.04	0.44	1.654	1.969	0.28	0.28	1.6	F04/F05
3/8"	0.50	0.354	5.47	1.66	0.25	3.00	0.69	0.39	2.95	2.95	0.85	0.11	0.25	1.04	0.44	1.654	1.969	0.28	0.28	1.6	F04/F05
1/2"	0.59	0.354	5.47	1.66	0.25	3.00	0.85	0.39	2.85	2.95	0.85	0.06	0.25	1.07	0.44	1.654	1.969	0.28	0.28	2.0	F04/F05
3/4"	0.79	0.354	5.47	1.83	0.33	3.20	1.07	0.51	3.36	3.54	1.07	0.06	0.33	1.07	0.44	1.969	2.756	0.34	0.28	3.0	F05/F07
1"	0.98	0.433	6.50	2.31	0.41	3.86	1.34	0.51	4.15	4.33	1.34	0.06	0.41	1.34	0.56	1.969	2.756	0.34	0.28	4.5	F05/F07
1-1/4"	1.26	0.433	6.50	2.46	0.41	4.00	1.69	0.51	4.37	4.53	1.68	0.06	0.41	1.34	0.56	1.969	2.756	0.34	0.28	6.0	F05/F07
1-1/2"	1.50	0.551	8.46	3.11	0.53	5.04	1.92	0.51	5.01	5.12	1.91	0.06	0.53	1.54	0.74	1.969	2.756	0.34	0.28	10.0	F05/F07
2"	1.97	0.551	8.46	3.42	0.53	5.35	2.40	0.63	5.62	5.62	2.38	0.06	0.53	1.54	0.74	1.969	2.756	0.35	0.30	13.0	F05/F07
2-1/2"	2.56	0.748	10.31	4.28	0.66	6.60	2.89	0.63	7.28	7.28	3.00	0.08	0.66	2.09	0.94	2.756	4.016	0.47	0.39	26.0	F07/F10
3"	3.15	0.748	10.31	4.63	0.70	6.96	3.54	0.63	8.07	8.07	3.54	0.08	0.70	2.09	0.94	2.756	4.016	0.47	0.39	34.0	F07/F10
4"	3.94	0.748	12.28	5.26	0.66	7.59	4.54	0.79	9.45	9.45	4.57	0.08	0.66	2.09	0.94	2.756	4.016	0.47	0.39	52.0	F07/F10

A-T Controls reserves the right to change product designs and technical/dimensional specifications without notice.

Pneumatic Double Acting Automated Ball Valve Package

Series F88 3-Piece Ball Valve

Firesafe

Sizes 1/4" - 4"

Full Port Design

Conforms to ASME B16.34 (2017)

- Classes up to 600
- 1000 to 2000 psi (BPVC)

CF8M or WCB

TH, SW, or BW Ends

Superior Live Loaded Packing System

Blowout Proof Stem w/ Dual Anti-Static Devices

RTFE Seats Standard

Pyramidal Stem Seal Design

Monel Ball & Stem Available

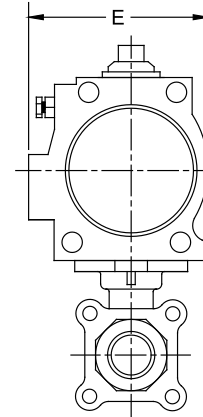
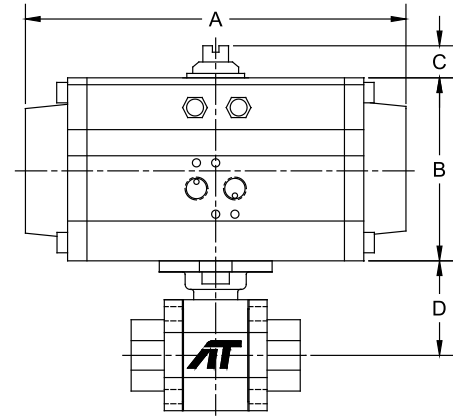
STANDARDS

Conforms to ASME B16.34 (2017)
 End Connections ASME B16.25, B1.20.1, B16.11
 Pressure Testing API 598
 Fire Testing API-6th Edition
 Sulfide Stress Protection NACE MR0175
 Mounting ISO 5211
 Marking System for Valves MSS SP-25, ISO 5209
 Safety Integrity IEC 61508:2010; SIL 3
 Material Certification EN 10204-3.1 MTR
 Quality Assurance ISO 9001:2015
 Gas Shut-Off Valve CSA 3.16-15
 Fugitive Emissions ISO 15848-1

**API 607 - 6th Edition
CERTIFIED**



**Direct Mount
Firesafe tested to API-607**



DIMENSIONS (IN)

VALVE SIZE	A	B	C	D	E
1/4"	5.98	2.76	0.79	1.66	2.58
3/8"	5.98	2.76	0.79	1.66	2.58
1/2"	5.98	2.76	0.79	1.66	2.58
3/4"	7.95	3.43	0.79	1.83	3.29
1"	7.95	3.43	0.79	2.31	3.29
1-1/4"	7.95	3.43	0.79	2.46	3.29
1-1/2"	9.29	4.49	0.79	3.11	4.41
2"	9.29	4.49	0.79	3.42	4.41
2-1/2"	10.87	4.88	0.79	4.28	4.82
3"	11.46	5.28	0.79	4.63	5.20
4"	13.90	6.18	0.79	5.26	6.04

DIMENSIONS SHOWN ARE FOR ASSEMBLIES SIZED FOR 80 PSI SUPPLY

SERIES F88

Firesafe

SIZED FOR 80 psi AIR SUPPLY

SIZE	MODEL
1/4"	F88-TX-025/TR1D-XX
3/8"	F88-TX-038/TR1D-XX
1/2"	F88-TX-050/TR1D-XX
3/4"	F88-TX-075/2R2D-XX
1"	F88-TX-100/2R2D-XX
1 1/4"	F88-TX-125/2R2D-XX
1 1/2"	F88-TX-150/2R3D-XX
2"	F88-TX-200/2R3D-XX
2 1/2"	F88-TX-250/2R4D-XX
3"	F88-TX-300/2R5D-XX
4"	F88-TX-400/2R6D-XX

SIZED FOR 60 psi AIR SUPPLY

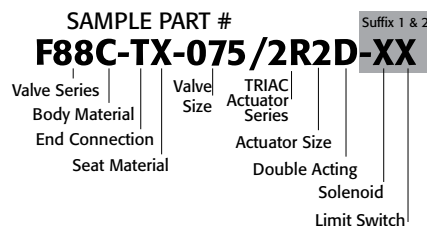
SIZE	MODEL
1/4"	F88-TX-025/TR1D-XX
3/8"	F88-TX-038/TR1D-XX
1/2"	F88-TX-050/TR1D-XX
3/4"	F88-TX-075/2R2D-XX
1"	F88-TX-100/2R2D-XX
1 1/4"	F88-TX-125/2R2D-XX
1 1/2"	F88-TX-150/2R3D-XX
2"	F88-TX-200/2R3D-XX
2 1/2"	F88-TX-250/2R4D-XX
3"	F88-TX-300/2R5D-XX
4"	F88-TX-400/2R6D-XX

OPTIONS

Suffix1	Accessories/Options	Model no.
X	No Specials	
A	TYPE 4 Solenoid 120VAC	TVCS-X411-4N-A120
B	TYPE 7 Solenoid 120VAC	TVCS-X411-7N-A120
C	Intrinsically Safe Solenoid	TVIS-X411-4N-D24
D	TYPE 4 Solenoid 24VDC	TVCS-X411-4N-D24
F	TYPE 7 Solenoid 24VDC	TVCS-X411-7N-D24
Q	TYPE 4 SST Solenoid 120VAC	TVSS-X411-4N-A120
M	TYPE 7 SST Solenoid 120VAC	TVSS-X411-7N-A120
L	TYPE 4 SST Solenoid 24VDC	TVSS-X411-4N-D24
N	TYPE 7 SST Solenoid 24VDC	TVSS-X411-7N-D24
P	Pneumatic Positioner	PPR-1200
E	Electro-Pneumatic Positioner	EPR-1000

Suffix2	Accessories	Model no.
X	No Specials	
A	TYPE 4 Limit Switch	APL-210N/APL-310N
B	TYPE 7 Limit Switch	APL-510N
C	Intrinsically Safe Limit Switch	APL-218N
Q	TYPE 4 SST Limit Switch	APL-910N
M	TYPE 7 SST Limit Switch	APL-510S

Other options available - call for details
 Actuators are sized based on clean/clear fluid.



See automated part number matrix for complete part number and options.

Pneumatic Spring Return Automated Ball Valve Package

Series F88 3-Piece Ball Valve

Firesafe

Sizes 1/4" - 4"

Full Port Design

Conforms to ASME B16.34 (2017)

- Classes up to 600
- 1000 to 2000 psi (BPVC)

CF8M or WCB

TH, SW, or BW Ends

Superior Live Loaded Packing System

Blowout Proof Stem w/ Dual Anti-Static Devices

RTFE Seats Standard

Pyramidal Stem Seal Design

Monel Ball & Stem Available

STANDARDS

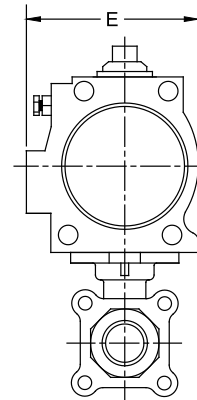
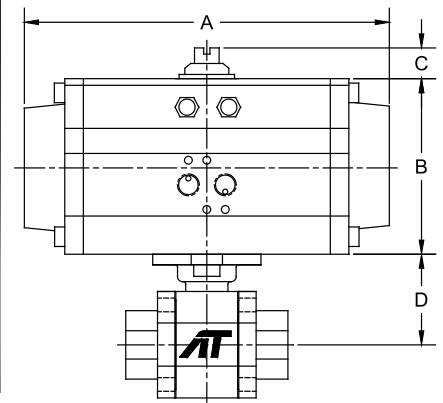
Conforms to ASME B16.34 (2017)

End Connections	ASME B16.25, B1.20.1, B16.11
Pressure Testing	API 598
Fire Testing	API-6th Edition
Sulfide Stress Protection	NACE MR0175
Mounting	ISO 5211
Marking System for Valves	MSS SP-25, ISO 5209
Safety Integrity	IEC 61508:2010; SIL 3
Material Certification	EN 10204-3.1 MTR
Quality Assurance	ISO 9001:2015
Gas Shut-Off Valve	CSA 3.16-15
Fugitive Emissions	ISO 15848-1

API 607 - 6th Edition
CERTIFIED



Direct Mount
Firesafe tested to API-607



DIMENSIONS (IN)

VALVE SIZE	A	B	C	D	E
1/4"	7.60	2.76	0.79	1.66	2.58
3/8"	7.60	2.76	0.79	1.66	2.58
1/2"	7.95	3.43	0.79	1.66	3.29
3/4"	9.29	4.49	0.79	1.83	4.41
1"	9.29	4.49	0.79	2.31	4.41
1-1/4"	9.29	4.49	0.79	2.46	4.41
1-1/2"	9.29	4.49	0.79	3.11	4.41
2"	10.87	4.88	0.79	3.42	4.82
2-1/2"	11.46	5.28	0.79	4.28	5.20
3"	15.16	6.93	1.18	4.63	6.69
4"	15.16	6.93	1.18	5.26	6.69

DIMENSIONS SHOWN ARE FOR ASSEMBLIES SIZED FOR 80 PSI SUPPLY

SERIES F88

Firesafe

SIZED FOR 80 psi AIR SUPPLY

SIZE	MODEL
1/4"	F88-TX-025/TR1S-XX
3/8"	F88-TX-038/TR1S-XX
1/2"	F88-TX-050/2R2S-XX
3/4"	F88-TX-075/2R3S-XX
1"	F88-TX-100/2R3S-XX
1 1/4"	F88-TX-125/2R3S-XX
1 1/2"	F88-TX-150/2R3S-XX
2"	F88-TX-200/2R4S-XX
2 1/2"	F88-TX-250/2R5S-XX
3"	F88-TX-300/2R7S-XX
4"	F88-TX-400/2R7S-XX

Other options available - call for details
Actuators are sized based on clean/clear fluid.

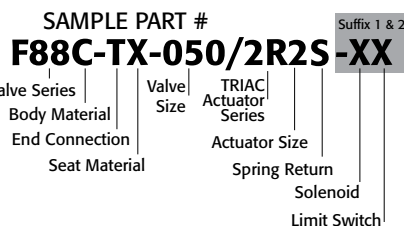
SIZED FOR 60 psi AIR SUPPLY

SIZE	MODEL
1/4"	F88-TX-025/TR1S-XX
3/8"	F88-TX-038/TR1S-XX
1/2"	F88-TX-050/2R2S-XX
3/4"	F88-TX-075/2R3S-XX
1"	F88-TX-100/2R3S-XX
1 1/4"	F88-TX-125/2R3S-XX
1 1/2"	F88-TX-150/2R4S-XX
2"	F88-TX-200/2R5S-XX
2 1/2"	F88-TX-250/2R6S-XX
3"	F88-TX-300/2R7S-XX
4"	F88-TX-400/2R7S-XX

OPTIONS

Suffix1	Accessories/Options	Model no.
X	No Specials	
A	TYPE 4 Solenoid 120VAC	TVCS-X411-4N-A120
B	TYPE 7 Solenoid 120VAC	TVCS-X411-7N-A120
C	Intrinsically Safe Solenoid	TVIS-X411-4N-D24
D	TYPE 4 Solenoid 24VDC	TVCS-X411-4N-D24
F	TYPE 7 Solenoid 24VDC	TVCS-X411-7N-D24
Q	TYPE 4 SST Solenoid 120VAC	TVSS-X411-4N-A120
M	TYPE 7 SST Solenoid 120VAC	TVSS-X411-7N-A120
L	TYPE 4 SST Solenoid 24VDC	TVSS-X411-4N-D24
N	TYPE 7 SST Solenoid 24VDC	TVSS-X411-7N-D24
P	Pneumatic Positioner	PPR-1200
E	Electro-Pneumatic Positioner	EPR-1000

Suffix2	Accessories	Model no.
X	No Specials	
A	TYPE 4 Limit Switch	APL-210N/APL-310N
B	TYPE 7 Limit Switch	APL-510N
C	Intrinsically Safe Limit Switch	APL-218N
Q	TYPE 4 SST Limit Switch	APL-910N
M	TYPE 7 SST Limit Switch	APL-510S



See automated part number matrix for complete part number and options.

Electric Automated Ball Valve Package

Series F88 3-Piece Ball Valve

- Firesafe
- Sizes 1/4" - 4"
- Full Port Design
- Conforms to ASME B16.34 (2017)
 - Classes up to 600
 - 1000 to 2000 psi (BPVC)
- CF8M or WCB
- TH, SW, or BW Ends
- Superior Live Loaded Packing System
- Blowout Proof Stem w/ Dual Anti-Static Devices
- RTFE Seats Standard
- Pyramidal Stem Seal Design
- Monel Ball & Stem Available

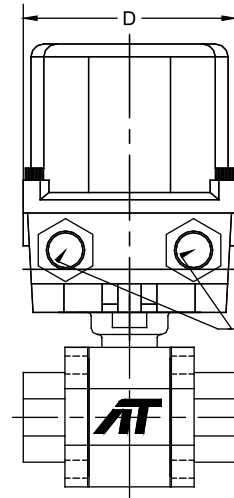
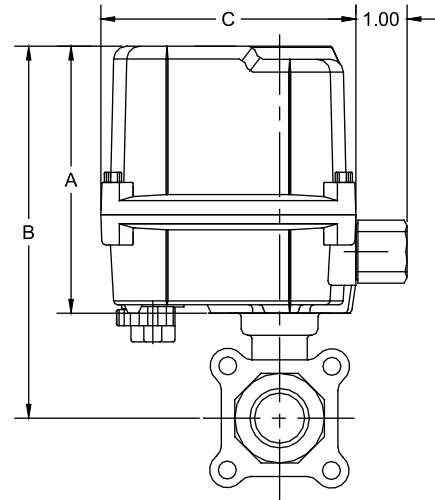
STANDARDS

- Conforms to ASME B16.34 (2017)
- End Connections: ASME B16.25, B1.20.1, B16.11
- Pressure Testing: API 598
- Fire Testing: API-6th Edition
- Sulfide Stress Protection: NACE MR0175
- Mounting: ISO 5211
- Marking System for Valves: MSS SP-25, ISO 5209
- Safety Integrity: IEC 61508:2010; SIL 3
- Material Certification: EN 10204-3.1 MTR
- Quality Assurance: ISO 9001:2015
- Gas Shut-Off Valve: CSA 3.16-15
- Fugitive Emissions: ISO 15848-1

**API 607 - 6th Edition
CERTIFIED**



**Direct Mount
Firesafe tested to API-607**



DIMENSIONS (IN)

VALVE SIZE	A	B	C	D
1/4"	5.24	6.90	4.94	4.08
3/8"	5.24	6.90	4.94	4.08
1/2"	5.24	6.90	4.94	4.08
3/4"	5.24	7.07	4.94	4.08
1"	5.24	7.55	4.94	4.08
1 1/4"	5.24	7.70	4.94	4.08
1 1/2"	5.24	8.35	4.94	4.08
2"	5.24	8.66	4.94	4.08
2 1/2"	9.25	13.53	6.69	10.16
3"	10.55	15.18	9.02	13.31
4"	10.55	15.81	9.02	13.31

SERIES F88

Firesafe

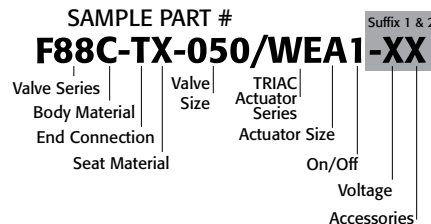
ON-OFF	
SIZE	MODEL
1/4"	F88-TX-025/WEA1-XX
3/8"	F88-TX-038/WEA1-XX
1/2"	F88-TX-050/WEA1-XX
3/4"	F88-TX-075/WEA1-XX
1"	F88-TX-100/WEA1-XX
1 1/4"	F88-TX-125/WEA1-XX
1 1/2"	F88-TX-150/WEA1-XX
2"	F88-TX-200/WEA1-XX
2 1/2"	F88-TX-250/WEB1-XX
3"	F88-TX-300/WEC1-XX
4"	F88-TX-400/WED1-XX

MODULATING	
SIZE	MODEL
1/4"	F88-TX-025/WEA2-XX
3/8"	F88-TX-038/WEA2-XX
1/2"	F88-TX-050/WEA2-XX
3/4"	F88-TX-075/WEA2-XX
1"	F88-TX-100/WEA2-XX
1 1/4"	F88-TX-125/WEA2-XX
1 1/2"	F88-TX-150/WEA2-XX
2"	F88-TX-200/WEA2-XX
2 1/2"	F88-TX-250/WEB2-XX
3"	F88-TX-300/WEC2-XX
4"	F88-TX-400/WED2-XX

OPTIONS		
Suffix 1	Voltage / Accessory	Model No.
X	No Specials	
R	24VDC Electric Actuator	
S	220VAC Electric Actuator	
T	Other Voltage Electric Actuator	
W	12VDC Electric Actuator	
Y	24VAC Electric Actuator	
* No voltage specified on electric assemblies denotes 120VAC		
Suffix 2 Accessories		
X	No Specials	
1	HS1 High Speed Electric	
2	HS2 High Speed Electric	

See automated part number matrix for complete part number and options.

NOTE: Heater and thermostat standard (2) auxiliary switches standard
Other options available - call for details
Actuators are sized based on clean/clear fluid.



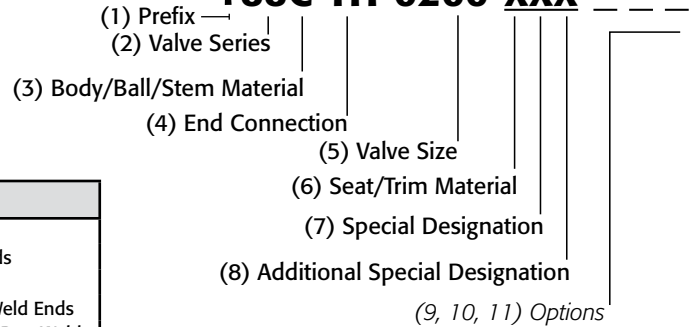
How to Order | Series F88

1 Prefix	2 Valve Series
F Firesafe Tested	88 3pc. Direct Mount Full Port
3 Body/Ball/Stem Material	
Blank	Valve Series Standard
A	Alloy 20 Body, Ball, & Stem
C	Carbon Steel Body
L	Low Carbon 316L Stainless Steel
J	Low Carbon 304 Stainless Steel
H	Carbon Body /Hastelloy Ball & Stem
Q	Carbon Body/Monel Ball & Stem
R	316 SST Body/Monel Ball & Stem
T	Hastelloy C-276 Body, Ball & Stem
E	Electropolished Stainless Steel
D	CD3MN Body/Duplex SST Ball & Stem
G	CE3MN Body/Super Duplex SST Ball & Stem
B	LCC Body
P	CF8 (304 SST) Body/304 SST Ball & Stem

4 End Connection	
TH	NPT Ends
SW	Socket Weld Ends
BW	Butt Weld Ends
EW	Extended Butt Weld Ends
TE	NPT x Extended Butt Weld
TS	NPT x Socket Weld

MANUAL VALVE SAMPLE PART

F88C-TH-0200-XXX-



5 Valve Size	6 Seat, Lining & Trim Materials	7 Special Designations	8 Additional Specials
0025 1/4" 0200 2"	X Reinforced TFE Seats (RTFE)	X No Specials, Series Standard	X No Specials, Series Standard
0038 3/8" 0250 2 1/2"	P Virgin TFE (PTFE)	G Gear Operator	O Oxygen Cleaned
0050 1/2" 0300 3"	U UHMWPE Seats	H Gear Operator with Lockout Plate	Z Special End Configuration
0075 3/4" 0400 4"	D Delrin®	O Oval Handle (available on some)	V Vented Ball
0100 1"	S 50/50 STFE Seats	S Spring Return Handle (Direct Mount only)	E Bonnet Extension Lockable Handle
0125 1 1/4"	C 25% CS Powder/ 75% TFE Seats (CTFE)	4 4" Lockable Stem Extension	F Fugitive Emissions Bonnet
0150 1 1/2"	T TFM™-1600		D Degreased & Bagged
	F PTFE Cavity Filler		A Vented Ball, Degreased & Bagged
	M MG1241		B Vented Ball, Oxygen Cleaned
	Z PEEK		



OPTIONS:

9 Special Designation	10 O-Ring	11 Additional Specials
Blank No Designation, Valve Series Standard	Blank Standard	Blank Standard
X Multiple Option Designation	X Multiple Option Designation	X Multiple Option Designation
A 17-4 PH® Stem	2 Markez® Z1028	B B7M Bolting
B XM-19 (Nitronic 50) Stem	4 Kalrez® 4079	M Marine Epoxy Coating
C Duplex 2205 Stem	5 Chemraz® 505	C CSA 3.16 Certified (F90/F88/93 Series)
D Inconel® 718 Stem	6 Kalrez® 6375	
	7 Perlast® G75M	
	9 Chemraz® 564	
	B Low Temp Buna	
	E EPDM	
	S Silicone	

Related Series

- **88 Series** 3-pc High Performance Ball Valve
- **83 & 8R Series** 3-pc Full & Regular Port Ball Valves
- **F83 & F8R Series** 3-pc Full & Regular Port Firesafe Ball Valves
- **88 Series Painless Stainless** SST Automated Packages
- **V8** V-Port Control Valves



