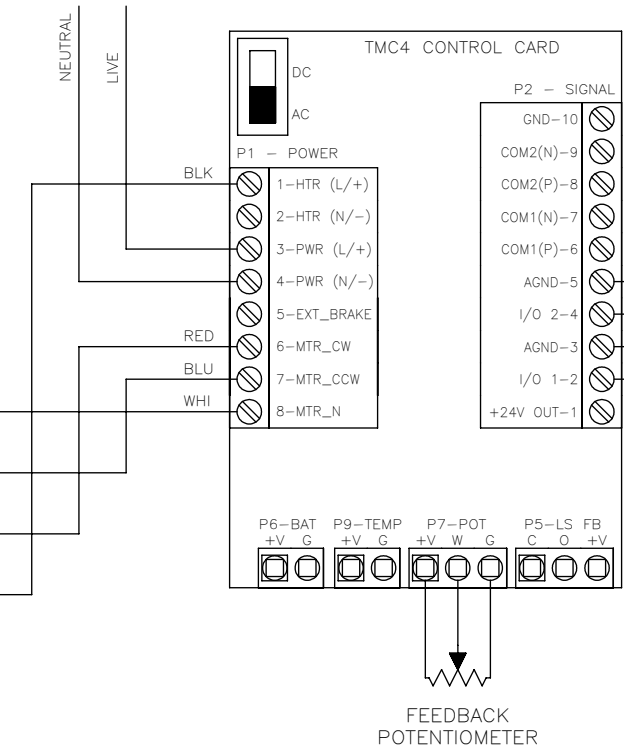


(CHECK MOTOR DATA LABEL FOR OPERATING VOLTAGE)
 INCOMING POWER
 110 or 220VAC/1PH



| TORQUE AND LIMIT SWITCH OPERATION | | | |
|-----------------------------------|---|--------------|--------|
| SWITCH | CLOSE ← | INTERMEDIATE | → OPEN |
| CLS 1-2 | | | |
| CLS 1-3 | | | |
| OLS 1-2 | | | |
| OLS 1-3 | | | |
| ACLS1-2 | | | |
| ACLS1-3 | | | |
| AOLS1-2 | | | |
| AOLS1-3 | | | |
| CTS 1-3 | * CLOSING TORQUE SWITCH INTERRUPTS CONTROL IF MECHANICAL OVERLOAD OCCURS DURING CLOSING CYCLE | | |
| OTS 1-3 | * OPENING TORQUE SWITCH INTERRUPTS CONTROL IF MECHANICAL OVERLOAD OCCURS DURING OPENING CYCLE | | |
| SYMBOL | DESCRIPTION | RATING | |
| CLS | CLOSE LIMIT SWITCH | 250VAC 10A | |
| OLS | OPEN LIMIT SWITCH | 250VAC 10A | |
| CTS | CLOSE TORQUE SWITCH | 250VAC 10A | |
| OTS | OPEN TORQUE SWITCH | 250VAC 10A | |
| ACLS | AUX. CLOSE LIMIT SWITCH | 250VAC 16A | |
| AOLS | AUX. OPEN LIMIT SWITCH | 250VAC 16A | |
| TP | THERMAL PROTECTOR | 250VAC 15A | |

CLS AND OLS LIMIT SWITCHES SET AT OR JUST OUTSIDE OF CALIBRATED 0% - 100% OPERATING RANGE TO AVOID INTERFERING WITH FEEDBACK POTENTIOMETER POSITIONING

- SIGNAL
 + FEEDBACK
 - SIGNAL
 + COMMAND



9955 INTERNATIONAL BLVD.
 CINCINNATI, OHIO 45246
 PHONE: (513) 247-5465
 FAX: (513) 247-5462

TOLERANCE UNLESS OTHERWISE SPECIFIED:
 TWO PLACE DECIMAL DIM. 0.020
 THREE PLACE DECIMAL DIM. 0.010
 ANGULAR DIM. ± 0.5°

DRAWN BY **TEM**
 DATE **07/09/21**

CHECKED BY **CMB**
 DATE **07/09/21**

RELEASED BY **CMB**
 DATE **07/09/21**

HEAT # SHEET **1** OF **1**

DO NOT SCALE DRAWING

DESCRIPTION
WEM-1350 THRU WEM-25900, WEM-1350E THRU WEM-25900E
ELECTRIC ACTUATOR, 110VAC OR 220VAC SUPPLY
WITH TMC4 SERVO CARD
ANALOG CONTROL AND FEEDBACK

MATERIAL
 DRAWING NO. **SE01691**
 REVISION **A**

THE DESIGN AND DISCLOSURE CONTAINED IN THIS DRAWING WAS ORIGINATED BY, AND IS EXCLUSIVE PROPERTY OF A-T CONTROLS, INC. IT IS FURNISHED FOR VENDOR INFORMATION ONLY AND IS NOT AN AUTHORIZATION OR LICENSE TO MAKE THIS CONSTRUCTION OR TO FURNISH THIS INFORMATION TO OTHERS. ALL DRAWINGS MUST BE RETURNED TO A-T CONTROLS, INC. ON DEMAND. THIS DRAWING IS NOT TO BE REPRODUCED OR COPIED IN ANY FORM WITHOUT THE EXPRESS WRITTEN PERMISSION OF A-T CONTROLS, INC.