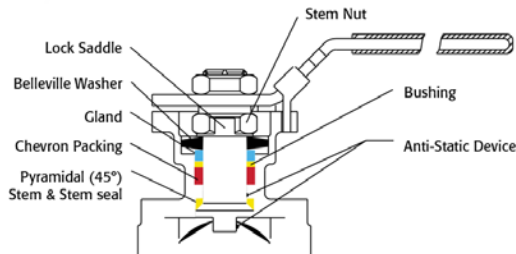




Triac 83 Series 3-Piece Ball Valves are the finest quality 3-piece valves on the market. The high quality investment castings feature a fully machined bore. The superior live-loaded packing system is accomplished with Belleville washers, "V" ring packing and a unique primary pyramidal stem seal. This advanced sealing system provides protection against stem leaks experienced by ordinary ball valves.



VALVE SIZE	VALVE Cv
1/4"	7
3/8"	8
1/2"	15
3/4"	40
1"	70
1-1/4"	110
1-1/2"	250
2"	430

RTFE seats are standard, but various options are available for seat materials. The 50/50 STFE seat option is excellent for services that call for higher temperatures and more difficult applications including steam. Call us for details.

Easy to Automate!

See automated data sheets for pre-sized assemblies



Pneumatic



Electric



Series 83

HIGH PERFORMANCE 3-Piece Design

Sizes 1/4" - 2"

Full Port Design

Conforms to ASME B16.34 (2020)
Classes up to 600
1000 to 2000 psi (BPVC) by size

316SST or WCB

Threaded, Socket Weld, or Butt Weld Ends

Superior Live Loaded Packing System

ISO 5211 Actuator Mounting Pad

Blowout Proof Stem w/ Dual
Anti-Static Devices

RTFE Seats Standard

Pyramidal Stem Seal Packing System

Lockable Manual Handle

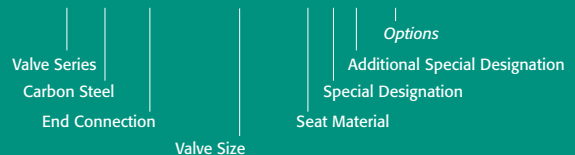
STANDARDS

Design	ASME B16.34 (fully conforms)
End Connections	ASME B16.25, B1.20.1, B16.11
Pressure Testing	API 598
Mounting	ISO 5211
CE Approval	2014/68/EU Module H
Safety Integrity	SIL 3; IEC 61508:2010
Material Certification	EN 10204-3.1 MTR
Quality Assurance	ISO 9001:2015

HOW TO ORDER MANUAL VALVES

SAMPLE PART #

83C-TH-0200-XXX-X



See part number matrix for itemized options



9955 International Blvd.
Cincinnati, Ohio 45246
www.atcontrols.com

PHONE (513) 247-5465
FAX (513) 247-5462
sales@atcontrols.com

Series 83

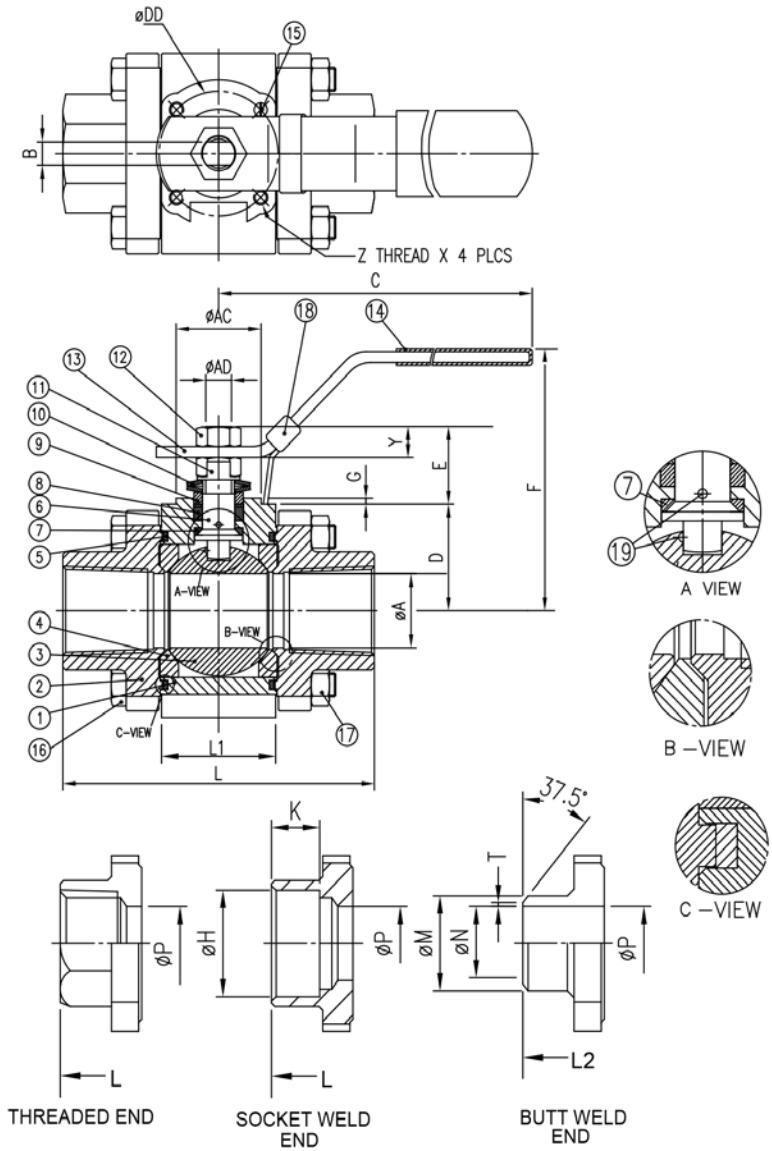
High Performance, Full Port
3-Piece Ball Valve
ISO 5211 Mounting Pad

Classes up to 600
1500 - 2000 psi
(by size)

MATERIALS LIST

NO.	PART NAME	QTY	STAINLESS STEEL	CARBON STEEL	REPAIR KIT
1	BODY	1	ASTM A351 GRADE CF8M	ASTM A216 GRADE WCB	
2	TH END CAP	2	ASTM A351 GRADE CF8M	ASTM A216 GRADE WCB	
2	BW/SW END CAP	2	ASTM A351 GRADE CF3M	ASTM A216 GRADE WCB	
3	BALL	1	1/4" THRU 3/8" ASTM A276 SS316	1/4" THRU 3/8" ASTM A276 SS316	
3	BALL	1	1/2" THRU 4" ASTM A351 GRADE CF8M	1/2" THRU 4" ASTM A351 GRADE CF8M	
4	SEAT	2	RTFE	RTFE	✓
5	JOINT GASKET	2	TFM™-1600	TFM™-1600	✓
6	STEM	1	ASTM A276 SS316	ASTM A276 SS316	
7	STEM SEAL	1	TFM™-1600	TFM™-1600	✓
8	STEM PACKING	1	MG1241	MG1241	✓
9	GLAND BUSHING	1	AISI 304	AISI 304	
10	BELLEVILLE WASHER	2	AISI 301	AISI 301	
11	LOCK SADDLE	1	AISI 304	AISI 304	
12	STEM NUT	2	AISI 304	AISI 304	
13	HANDLE	1	AISI 304	AISI 304	
14	HANDLE SLEEVE	1	VINYL	VINYL	
15	STOP BOLT	1	AISI 304	AISI 304	
16	BODY BOLT	*	ASTM A193 GRADE B8	ASTM A193 GRADE B8	
17	BODY NUT	*	ASTM A194 GRADE 8	ASTM A194 GRADE 8	
18	HANDLE LOCK	1	AISI 304	AISI 304	
19	ANTI-STATIC DEVICE	2	AISI 316	AISI 316	

* 1/4" THRU 2" QTY = 4 PCS
* 2-1/2" QTY = 6 PCS



DIMENSIONS (IN)

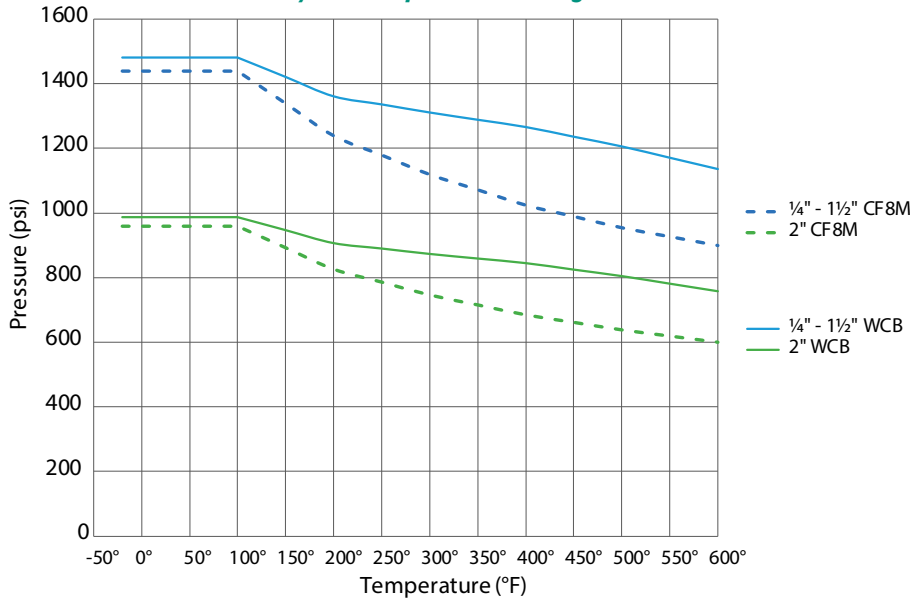
SIZE	A	AC	AD	B	C	D	DD	E	F	G	H	K	L	L1	L2	M	N	P	T	Y	Z	ISO 5211	LBS
1/4"	0.39	0.98	0.37	0.256	5.28	1.17	1.417	0.29	2.53	0.02	0.56	0.39	2.55	0.81	2.55	0.56	0.36	0.39	0.06	0.24	M5	F03	1.5
3/8"	0.39	0.98	0.37	0.256	5.28	1.17	1.417	0.29	2.53	0.02	0.69	0.39	2.55	0.81	2.55	0.69	0.49	0.39	0.06	0.24	M5	F03	1.5
1/2"	0.59	0.98	0.37	0.256	5.28	1.14	1.417	0.63	2.81	0.08	1.86	0.39	2.85	0.81	2.95	1.85	0.59	0.59	0.06	0.29	M5	F03	1.5
3/4"	0.79	0.98	0.37	0.256	5.28	1.30	1.417	0.71	2.99	0.08	1.07	0.51	3.36	0.96	3.54	1.07	0.79	0.79	0.06	0.35	M5	F03	1.9
1"	0.98	1.18	0.44	0.315	6.69	1.56	1.654	0.97	3.39	0.08	1.33	0.51	4.15	1.24	4.33	1.34	0.98	0.98	0.06	0.43	M5	F03	3.2
1-1/4"	1.26	1.18	0.44	0.315	6.69	1.79	1.654	1.00	3.65	0.08	1.69	0.51	4.37	1.63	4.53	1.68	1.26	1.26	0.06	0.43	M5	F04	4.0
1-1/2"	1.50	1.38	0.56	0.382	8.15	2.09	1.969	1.19	4.30	0.07	1.93	0.51	5.01	1.91	5.12	1.91	1.50	1.50	0.06	0.48	M5	F04	5.7
2"	1.97	1.38	0.56	0.382	8.15	2.74	1.969	1.20	4.79	0.06	2.41	0.63	5.62	2.22	5.12	2.38	1.97	1.97	0.06	0.50	M6	F05	8.1

**High Performance, Full Port
3-Piece Ball Valve
ISO 5211 Mounting Pad**

**Classes up to 600
1500 - 2000 psi
(by size)**

Series 83

Pressure vs. Temperature | Series 83 Body & End Cap Pressure Ratings



Pressure Class B16.34 (2020)				
Size	CF8M		WCB	
	Class	Rating (psi)	Class	Rating (psi)
1/4"	600	1440	600	1480
3/8"	600	1440	600	1480
1/2"	600	1440	600	1480
3/4"	600	1440	600	1480
1"	600	1440	600	1480
1-1/4"	600	1440	600	1480
1-1/2"	600	1440	600	1480
2"	400	960	400	986

Pressure Class/Rating		
SIZE	ASME B16.34-2020 PRESSURE CLASS	BPVC ⁺ -2019 PRESSURE RATING (psig)
1/4" - 1"	600	2000
1-1/4" - 1-1/2"	600	1500
2"	400	1500

*ASME Boiler Pressure Vessel Code

Break Away Torque for RTFE Seats	
SIZE	IN-LBS.
1/2"	58
3/8"	58
1/2"	58
3/4"	83
1"	120
1-1/4"	171
1-1/2"	235
2"	398

Cv	
SIZE	Cv
1/4"	7
3/8"	8
1/2"	15
3/4"	40
1"	70
1 1/4"	110
1 1/2"	250
2"	430

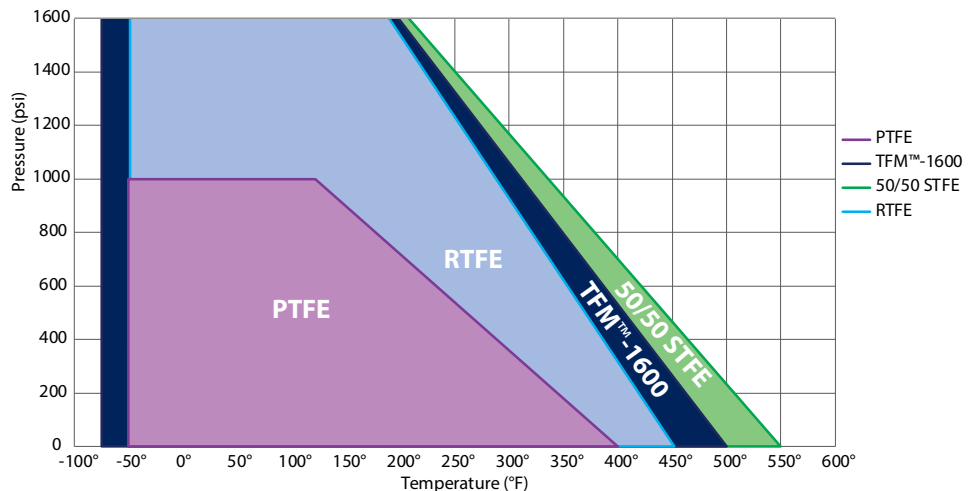
Published torques are based on full differential pressure with clean water. Consult the Application Sizing Guide for assistance with sizing actuators.

NOTE:
At temperature, valves are limited by either the valve body/end cap pressure ratings, seat pressure ratings, or packing/stem seal/gaskets; whichever is lower.

83 Component Temperature Ratings		
COMPONENT	MATERIAL	TEMPERATURE
Packing	MG1241	-50°F to 400°F
Stem Seal	TFM™-1600	-75°F to 500°F
Gaskets	TFM™-1600	-75°F to 500°F
Seats (Other Materials Available)	PTFE	-50°F to 400°F
	RTFE (standard)	-50°F to 450°F
	TFM™-1600	-75°F to 500°F
	50/50 STFE	-50°F to 550°F

Pressure vs. Temperature | Series 83 Seat Pressure Ratings

Temp	Pressure - Seat Material			
	RTFE	STFE	PTFE	TFM-1600
-75°				2000
-50°	2000	2000	1000	2000
100°	2000	2000	1000	2000
122°	2000	2000	1000	2000
150°	1829	1869	899	1852
200°	1524	1636	719	1587
250°	1220	1402	540	1323
300°	915	1168	360	1058
350°	610	935	180	794
400°	305	701	0	529
450°	0	467		265
500°		234		0
550°		0		



Pneumatic Double Acting Automated Ball Valve Package Series 83 3-Piece Ball Valve

Sizes 1/4" - 2"

Full Port Design

Conforms to ASME B16.34 (2020) Classes up to 600 1000 to 2000 psi (BPVC) by size 316SST or WCB

Threaded, Socket Weld, or Butt Weld Ends

Superior Live Loaded Packing System

ISO 5211 Actuator Mounting Pad

Blowout Proof Stem w/ Dual Anti-Static Devices

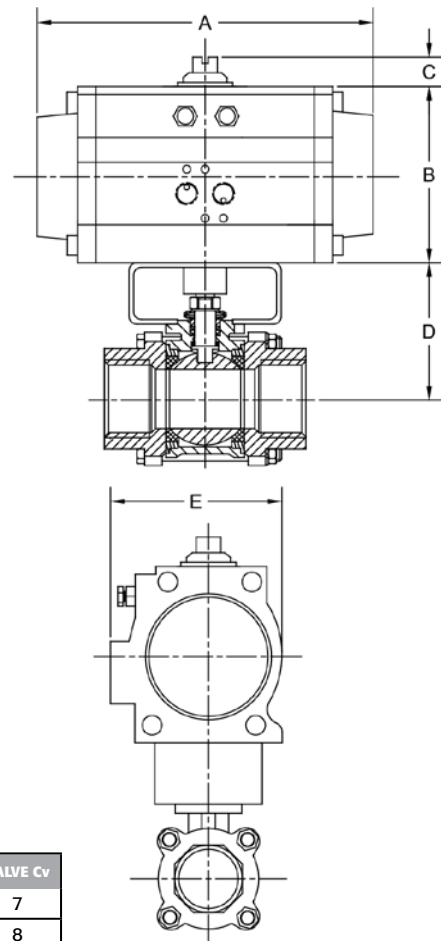
RTFE Seats Standard

Pyramidal Stem Seal Packing System

Lockable Manual Handle

STANDARDS

Design	ASME B16.34 (fully conforms)
End Connections	ASME B16.25, B1.20.1, B16.11
Pressure Testing	API 598
Mounting	ISO 5211
CE Approval	2014/68/EU Module H
Safety Integrity	SIL 3; IEC 61508:2010
Material Certification	EN 10204-3.1 MTR
Quality Assurance	ISO 9001:2015



SERIES 83 3-Piece

DIMENSIONS (IN)

VALVE SIZE	A	B	C	D	E	VALVE Cv
1/4"	6.50	2.84	0.787	2.65	2.82	7
3/8"	6.50	2.84	0.787	2.65	2.82	8
1/2"	6.50	2.84	0.787	2.62	2.82	15
3/4"	6.50	2.84	0.787	2.78	2.82	40
1"	6.50	2.84	0.787	2.99	2.82	70
1-1/4"	6.50	2.84	0.787	3.14	2.82	110
1-1/2"	7.598	3.465	0.787	4.03	3.35	250
2"	9.291	4.299	0.787	4.91	4.18	430

DIMENSIONS SHOWN ARE FOR ASSEMBLIES SIZED FOR 80 PSI SUPPLY

SIZED FOR 80 psi AIR SUPPLY	
SIZE	MODEL
1/4"	83-TX-025/3RDD-XX
3/8"	83-TX-038/3RDD-XX
1/2"	83-TX-050/3RDD-XX
3/4"	83-TX-075/3RDD-XX
1"	83-TX-100/3RDD-XX
1-1/4"	83-TX-125/3RDD-XX
1-1/2"	83-TX-150/3RED-XX
2"	83-TX-200/3RFD-XX

SIZED FOR 60 psi AIR SUPPLY	
SIZE	MODEL
1/4"	83-TX-025/3RDD-XX
3/8"	83-TX-038/3RDD-XX
1/2"	83-TX-050/3RDD-XX
3/4"	83-TX-075/3RDD-XX
1"	83-TX-100/3RDD-XX
1-1/4"	83-TX-125/3RED-XX
1-1/2"	83-TX-150/3RED-XX
2"	83-TX-200/3RFD-XX

OPTIONS		
SUFFIX 1	Accessories/Options	Model no.
X	No Specials	
A	TYPE 4 Solenoid 120VAC	TVCS-X411-4N-A120
B	TYPE 7 Solenoid 120VAC	TVCG-X411-7N-A120
C	Intrinsically Safe Solenoid	TVIS-X411-4N-D24
D	TYPE 4 Solenoid 24VDC	TVCS-X411-4N-D24
F	TYPE 7 Solenoid 24VDC	TVCG-X411-7N-D24
Q	TYPE 4 SST Solenoid 120VAC	TVSS-X411-4N-A120
M	TYPE 7 SST Solenoid 120VAC	TVSS-X411-7N-A120
L	TYPE 4 SST Solenoid 24VDC	TVSS-X411-4N-D24
N	TYPE 7 SST Solenoid 24VDC	TVSS-X411-7N-D24
P	Pneumatic Positioner	PPR-1200
E	Electro-Pneumatic Positioner	EPR-1000
SUFFIX 2	Accessories	Model no.
X	No Specials	
A	TYPE 4 Limit Switch	APL-210N
B	TYPE 7 Limit Switch	APL-510N
C	Intrinsically Safe Limit Switch	APL-218N
Q	TYPE 4 SST Limit Switch	APL-910N
M	TYPE 7 SST Limit Switch	APL-510S

Other options available - call for details
Actuators are sized based on full differential pressure with clean water. Consult the Application Sizing Guide for assistance with sizing actuators.

SAMPLE PART #
83C-TX-100/3RDD-XX

Valve Series	Carbon Steel	End Connection	Seat Material	Valve Size	TRIAC Actuator Series	Actuator Size	Double Acting

See automated part number matrix on back cover for complete part number and options.

SUFFIX 1: Solenoids
SUFFIX 2: Limit Switch

**Pneumatic
Spring Return
Automated
Ball Valve Package
Series 83
3-Piece Ball Valve**

Sizes 1/4" - 2"

Full Port Design

Conforms to ASME B16.34 (2020)
Classes up to 600
1000 to 2000 psi (BPVC) by size
316SST or WCB

Threaded, Socket Weld, or Butt Weld
Ends

Superior Live Loaded Packing System

ISO 5211 Actuator Mounting Pad

Blowout Proof Stem w/ Dual
Anti-Static Devices

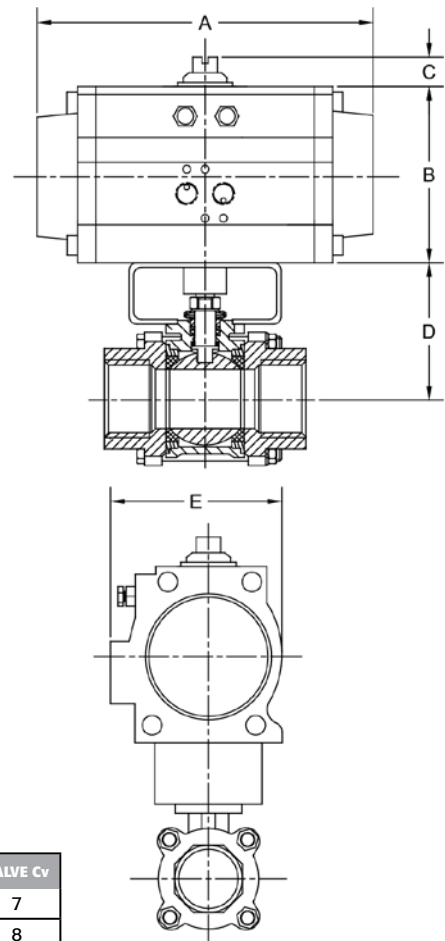
RTFE Seats Standard

Pyramidal Stem Seal Packing
System

Lockable Manual Handle

STANDARDS

Design ASME B16.34 (fully conforms)
End Connections ASME B16.25, B1.20.1, B16.11
Pressure Testing API 598
Mounting ISO 5211
CE Approval 2014/68/EU Module H
Safety Integrity SIL 3; IEC 61508:2010
Material Certification EN 10204-3.1 MTR
Quality Assurance ISO 9001:2015



**SERIES 83
3-Piece**

DIMENSIONS (IN)

VALVE SIZE	A	B	C	D	E	VALVE Cv
1/4"	6.50	2.84	0.787	2.65	1.93	7
3/8"	6.50	2.84	0.787	2.65	1.93	8
1/2"	6.50	2.84	0.787	2.62	1.93	15
3/4"	7.60	3.47	0.787	2.78	3.35	40
1"	9.29	4.30	0.787	2.98	4.18	70
1-1/4"	9.29	4.30	0.787	3.13	4.18	110
1-1/2"	9.29	4.30	0.787	4.03	4.18	250
2"	11.02	4.61	0.787	4.91	4.27	430

DIMENSIONS SHOWN ARE FOR ASSEMBLIES SIZED FOR 80 PSI SUPPLY

SIZED FOR 80 psi AIR SUPPLY	
SIZE	MODEL
1/4"	83-TX-025/3RDS-XX
3/8"	83-TX-038/3RDS-XX
1/2"	83-TX-050/3RDS-XX
3/4"	83-TX-075/3RES-XX
1"	83-TX-100/3RFS-XX
1-1/4"	83-TX-125/3RFS-XX
1-1/2"	83-TX-150/3RFS-XX
2"	83-TX-200/3RGS-XX

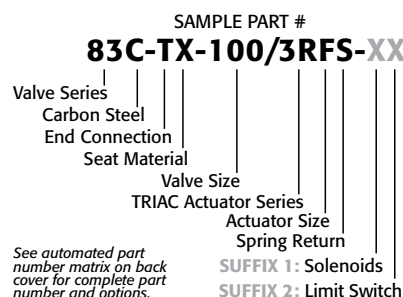
SIZED FOR 60 psi AIR SUPPLY	
SIZE	MODEL
1/4"	83-TX-025/3RD4-XX
3/8"	83-TX-038/3RD4-XX
1/2"	83-TX-050/3RD4-XX
3/4"	83-TX-075/3RE4-XX
1"	83-TX-100/3RF4-XX
1-1/4"	83-TX-125/3RF4-XX
1-1/2"	83-TX-150/3RG4-XX
2"	83-TX-200/3RH4-XX

OPTIONS

SUFFIX 1	Accessories/Options	Model no.
X	No Specials	
A	TYPE 4 Solenoid 120VAC	TVCS-X411-4N-A120
B	TYPE 7 Solenoid 120VAC	TVC6-X411-7N-A120
C	Intrinsically Safe Solenoid	TVIS-X411-4N-D24
D	TYPE 4 Solenoid 24VDC	TVCS-X411-4N-D24
F	TYPE 7 Solenoid 24VDC	TVC6-X411-7N-D24
Q	TYPE 4 SST Solenoid 120VAC	TVSS-X411-4N-A120
M	TYPE 7 SST Solenoid 120VAC	TVSS-X411-7N-A120
L	TYPE 4 SST Solenoid 24VDC	TVSS-X411-4N-D24
N	TYPE 7 SST Solenoid 24VDC	TVSS-X411-7N-D24
P	Pneumatic Positioner	PPR-1200
E	Electro-Pneumatic Positioner	EPR-1000

SUFFIX 2	Accessories	Model no.
X	No Specials	
A	TYPE 4 Limit Switch	APL-210N
B	TYPE 7 Limit Switch	APL-510N
C	Intrinsically Safe Limit Switch	APL-218N
Q	TYPE 4 SST Limit Switch	APL-910N
M	TYPE 7 SST Limit Switch	APL-510S

Other options available - call for details
Actuators are sized based on full differential pressure with clean water. Consult the Application Sizing Guide for assistance with sizing actuators.



Automated Ball Valve Package Series 83 3-Piece Ball Valve

Sizes 1/4" - 2"

Full Port Design

Conforms to ASME B16.34 (2020)
Classes up to 600
1000 to 2000 psi (BPVC) by size
316SST or WCB

Threaded, Socket Weld, or Butt Weld Ends

Superior Live Loaded Packing System

ISO 5211 Actuator Mounting Pad

Blowout Proof Stem w/ Dual Anti-Static Devices

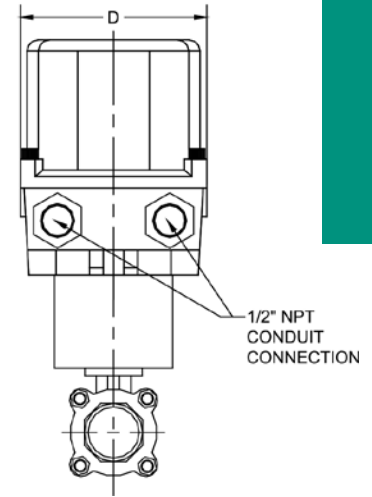
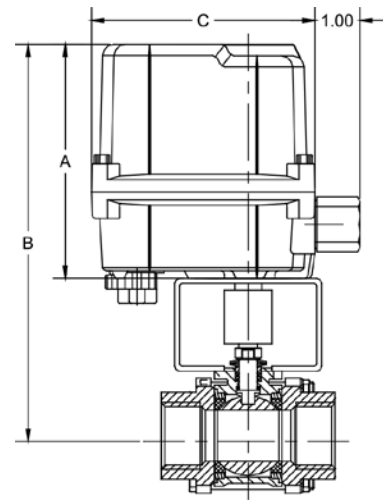
RTFE Seats Standard

Pyramidal Stem Seal Packing System

Lockable Manual Handle

STANDARDS

Design	ASME B16.34 (fully conforms)
End Connections	ASME B16.25, B1.20.1, B16.11
Pressure Testing	API 598
Mounting	ISO 5211
CE Approval	2014/68/EU Module H
Safety Integrity	SIL 3; IEC 61508:2010
Material Certification	EN 10204-3.1 MTR
Quality Assurance	ISO 9001:2015



DIMENSIONS (IN)

VALVE SIZE	A	B	C	D	VALVE Cv
1/4"	5.24	7.89	4.94	4.08	7
3/8"	5.24	7.89	4.94	4.08	8
1/2"	5.24	7.89	4.94	4.08	15
3/4"	5.24	7.89	4.94	4.08	40
1"	5.24	8.02	4.94	4.08	70
1-1/4"	5.24	8.14	4.94	4.08	110
1-1/2"	5.24	8.29	4.94	4.08	250
2"	5.24	8.66	4.94	4.08	430

ON-OFF	
SIZE	MODEL
1/4"	83-TX-025/WEA1-XX
3/8"	83-TX-038/WEA1-XX
1/2"	83-TX-050/WEA1-XX
3/4"	83-TX-075/WEA1-XX
1"	83-TX-100/WEA1-XX
1-1/4"	83-TX-125/WEA1-XX
1-1/2"	83-TX-150/WEA1-XX
2"	83-TX-200/WEA1-XX

MODULATING	
SIZE	MODEL
1/4"	83-TX-025/WEA2-XX
3/8"	83-TX-038/WEA1-XX
1/2"	83-TX-050/WEA2-XX
3/4"	83-TX-075/WEA2-XX
1"	83-TX-100/WEA2-XX
1-1/4"	83-TX-125/WEA2-XX
1-1/2"	83-TX-150/WEA2-XX
2"	83-TX-200/WEA2-XX

OPTIONS

Suffix 1 Voltage / Accessory *Model No.*

X	No Specials
R	24VDC Electric Actuator
S	220VAC Electric Actuator
T	Other Voltage Electric Actuator
W	12VDC Electric Actuator
Y	24VAC Electric Actuator

* No voltage specified on electric assemblies denotes 120VAC

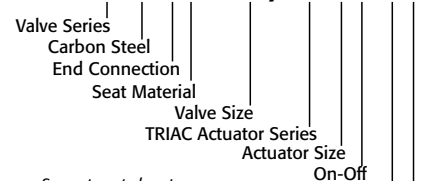
Suffix 2 Accessories

X	No Specials
1	HS1 High Speed Electric
2	HS2 High Speed Electric

Other options available - call for details
Actuators are sized based on full differential pressure with clean water. Consult the Application Sizing Guide for assistance with sizing actuators.

SAMPLE PART #

83C-TX-100/WEA1-XX



See automated part number matrix on back cover for complete part number and options.

SUFFIX 1: Voltage

SUFFIX 2: Options

HOW TO ORDER: Manual Valves w/ Options

Series 83

2	Valve Series
83	3 pc. 2000 psi max, Full Port

3	Body/Ball/Stem Material
Blank	Valve Series Standard (316SST)
C	Carbon Steel Body

4	End Connection
TH	NPT Ends
SW	Socket Weld Ends
BW	Butt Weld Ends
EW	Extended Butt Weld Ends
TE	NPT x Extended Butt Weld
TS	NPT x Socket Weld
XX	Configurable End Connection

5	Valve Size	
0025	1/4"	0125 1-1/4"
0038	3/8"	0150 1-1/2"
0050	1/2"	0200 2"
0075	3/4"	
0100	1"	

MANUAL VALVE
SAMPLE PART #
83C-TH-0200-XXX-X- _ _

- (2) Valve Series
- (3) Body/Ball/Stem Material
- (4) End Connection
- (5) Valve Size
- (6) Seat, Lining & Trim Material
- (7) Special Designation
- (8) Additional Specials
(9,10,11) Options

6	Seat, Lining & Trim Materials
X	Reinforced TFE Seats (RTFE)
P	Virgin TFE Seats (PTFE)
S	50/50 STFE Seats
C	25% CS Powder/75% TFE Seats (CTFE)
T	TFM™-1600 Seats
E	All TFM™-1600 Seats, Seals, & Packing
A	50% SS Powder/50% TFM™-1600 Seats (STFM)

7	Special Designation
X	No Specials/Series Standard
G	Gear Operator
H	Gear Operator w/ Lockout Plate
O	Oval Handle <i>(available on some)</i>
S	Spring Return <i>(Direct Mount Only)</i>
4	4" Lockable Stem Extension

8	Additional Specials
X	No Specials, Series Standard
O	Oxygen Cleaned
V	Vented Ball
E	Bonnet Extension Lockable Handle
F	Fugitive Emissions Bonnet
D	Degreased & Bagged
A	Vented Ball, Degreased & Bagged
B	Vented Ball, Oxygen Cleaned

TFM™ is a trademark of Dyneon™, a 3M Company.

OPTIONS:

9	Special Designation
Blank	No Designation, Valve Series Standard
X	Multiple Option Designation

10	O-Ring
Blank	No Designation, Valve Series Standard
X	Multiple Option Designation

11	Additional Specials
Blank	No Designation, Valve Series Standard
X	Multiple Option Designation
B	B7M Bolting
E	CE/PED Certified
M	Marine Epoxy Coating

Series 83

HOW TO ORDER: Automated Valves

2	Valve Series
83	3 pc. 2000 psi max, Full Port

3	Body/Ball/Stem Material
Blank	Valve Series Standard (316SST)
C	Carbon Steel Body

4	End Connection
T	NPT Ends
S	Socket Weld Ends
B	Butt Weld Ends
E	Extended Butt Weld Ends
M	NPT x Socket Weld

5	Seat, Lining & Trim Materials
X	Reinforced TFE Seats (RTFE)
P	Virgin TFE Seats (PTFE)
S	50/50 STFE Seats
C	25% CS Powder/75% TFE Seats (CTFE)
T	TFM™-1600 Seats
E	All TFM™-1600 Seats, Seals, & Packing
A	50% SS Powder/50% TFM™-1600 Seats (STFM)

TFM™ is a trademark of Dyneon™, a 3M Company.

6	Valve Size	
025	1/4"	100 1"
038	3/8"	125 1-1/4"
050	1/2"	150 1-1/2"
075	3/4"	200 2"

7 (A) Pneumatic Actuator - 3R, 3N, 3P Series			
3RC	3R10	3RM	3R850
3RD	3R20	3RN	3R1000
3RE	3R40	3RP	3R1200
3RF	3R80	3RR	3R1750
3RG	3R130	3RS	3R2400
3RH	3R200	3RT	3R2500
3RJ	3R300	3RU	3R2700
3RK	3R500	3RV	3R3300
3RL	3R700	3RW	3R3500

3R=Standard, 3N=Electroless Nickel Plating, 3P=Teflon™ (PTFE) Coating

7 (A) Pneumatic Actuator - S2 Series			
S2C	S2-052	S2G	S2-125
S2D	S2-063	S2H	S2-140
S2E	S2-083	S2J	S2-160
S2F	S2-105	S2K	S2-210

7 (B) Pneumatic Action	
D	Double Acting (DA)
S	Spring CW (5 springs)*
O	Spring CCW (5 springs)*
4	Spring CW (4 springs)**
F	Spring CCW (4 springs)**

*2500 & 3500 80 psig spring

**2500 & 3500 60 psig spring

7	Actuator - Electric (On-Off)		
WEX1	WE-350	WEG1	WE-5200
WEA1	WE-500	WEH1	WE-6900
WEB1	WE-690	WEJ1	WE-10500
WEC1	WE-1350	WEK1	WE-17500
WED1	WE-1700	WEL1	WE-25900
WEE1	WE-2640	WEM1	WE-53000
WEF1	WE-4400	WEN1	WE-80000

7	Actuator - Electric (Modulating)		
WEA2	WEM-500	WEH2	WEM-6900
WEB2	WEM-690	WEJ2	WEM-10500
WEC2	WEM-1350	WEK2	WEM-17500
WED2	WEM-1700	WEL2	WEM-25900
WEE2	WEM-2640	WEM2	WEM-53000
WEF2	WEM-4400	WEN2	WEM-80000
WEG2	WEM-5200		

OPTIONS:

8	Accessories/Options	Model no.
X	No Specials	
A	TYPE 4 Solenoid 120VAC	TVCS-X411-4N-A120
B	TYPE 7 Solenoid 120VAC	TVC6-X411-7N-A120
C	Intrinsically Safe Solenoid	TVIS-X411-4N-D24
D	TYPE 4 Solenoid 24VDC	TVCS-X411-4N-D24
F	TYPE 7 Solenoid 24VDC	TVC6-X411-7N-D24
Q	TYPE 4 SST Solenoid 120VAC	TVSS-X411-4N-A120
M	TYPE 7 SST Solenoid 120VAC	TVSS-X411-7N-A120
L	TYPE 4 SST Solenoid 24VDC	TVSS-X411-4N-D24
N	TYPE 7 SST Solenoid 24VDC	TVSS-X411-7N-D24
P	Pneumatic Positioner	PPR-1200
E	Electro-Pneumatic Positioner	EPR-1000
R	24VDC Electric Actuator	
S	220VAC Electric Actuator	
T	Other Voltage Electric Actuator	
W	12VDC Electric Actuator	
Y	24VAC Electric Actuator	

*No voltage specified on electric assemblies denotes 120VAC

9	Accessories	Model no.
X	No Specials	
A	TYPE 4 Limit Switch	APL-210N
B	TYPE 7 Limit Switch	APL-510N
C	Intrinsically Safe Limit Switch	APL-218N
Q	TYPE 4 SST Limit Switch	APL-910N
M	TYPE 7 SST Limit Switch	APL-510S
1	HS1 High Speed Electric	
2	HS2 High Speed Electric	

10	Special Designation	
Blank	No Designation, SST Stem	
E	CE/PED Certified	
F	Viton® Seal for Pneumatic Actuators (0°F to 300°F)	

Viton® is a registered trademark of E. I. DuPont de Nemours.

AUTOMATED VALVE

SAMPLE PART #

83C-TX-100/3RDD-XX-

(2) Valve Series

(3) Body/Ball/Stem Material

(4) End Connection

(5) Seat, Lining & Trim Material

(6) Valve Size

(7A) TRIAC Actuator Series

(7A) Actuator Size

(7B) Double Acting

(8) Accessory

(9) Accessory

(10) Special Designation

 **A-T Controls, Inc.**

9955 International Blvd.
Cincinnati, Ohio 45246
www.atcontrols.com

PHONE (513) 247-5465
FAX (513) 247-5462
sales@atcontrols.com