



Triac® TB Series Tank Bottom Valve features the 316SST Series 55 valve body. The 3-piece design allows for easy maintenance and assembly. The weld-in-place tank pad is of 316L SST construction and bolts directly to the valve's center body. It can be fitted with a threaded, socket weld, butt weld or ANSI Class 150 flanged mating end.

These valves are easily automated and feature the same high quality live loaded stem sealing system of the Series 55. A custom bracket can be designed to move the actuator away from the tank bottom radius.

VALVE SIZE	VALVE Cv
2"	400
3"	1100
4"	2000

### **Easy to Automate!**

See automated data sheets for pre-sized assemblies



**Pneumatic**



**Electric**



## **TB Series Tank Bottom Valves**

**Sizes 2", 3", and 4"**

**1000/800 psi WOG (by size)**

**316L SST Tank Pad**

**Full Port**

**Live Loaded Packing System**

**ISO 5211 Actuator Mounting Pad**

**Blowout-Proof Stem w/Dual Anti-Static Devices**

**RTFE Seats Standard**

**Lockable Manual Handle**

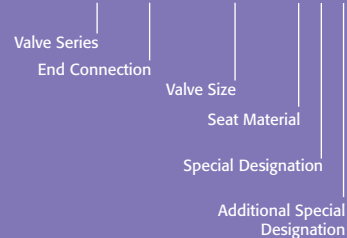
#### **STANDARDS**

DESIGN	ANSI/ASME B16.34
END CONNECTIONS	ASME B1.20.1, B16.11
PRESSURE TESTING	API 598
MOUNTING	ISO 5211
MARKING SYSTEM FOR VALVES	MSS SP-25
MATERIAL CERTIFICATION	EN 10204-3.1 MTR
QUALITY ASSURANCE	ISO 9001:2015

### **HOW TO ORDER MANUAL VALVES**

SAMPLE PART #

**T5-F1-0300-XXX**



See part number matrix for itemized options



9955 International Blvd.  
Cincinnati, Ohio 45246  
www.atcontrols.com

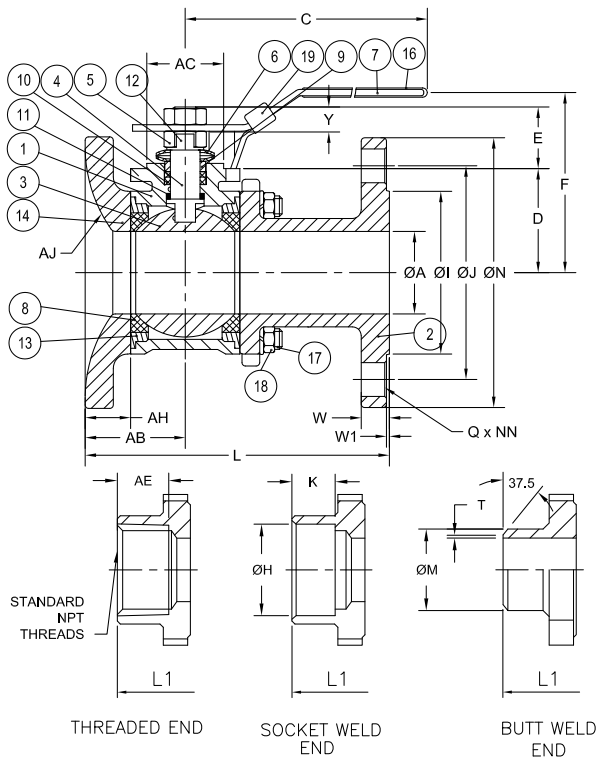
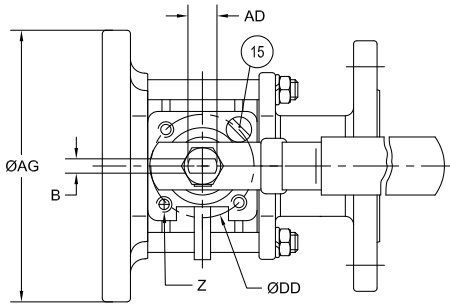
PHONE (513) 247-5465  
FAX (513) 247-5462  
sales@atcontrols.com

# Series TB

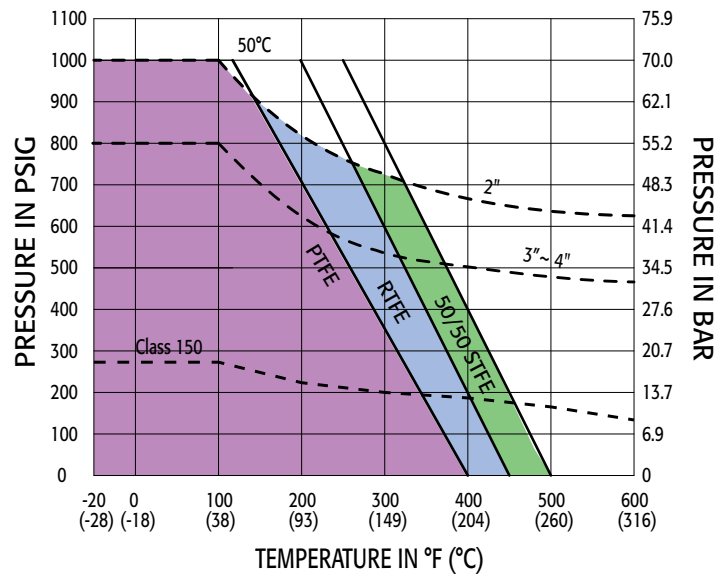
## BREAKAWAY TORQUES RTFE SEATS

SIZE	IN-LBS
2"	296
3"	679
4"	1,500

Published torques are based on full differential pressure with clean water. Consult the Application Sizing Guide for assistance with sizing actuators.



## Pressure vs. Temperature Chart for Valves 2" to 4"



NOTE: Dotted line shows the rating for valve body. Solid line shows the rating for valve seat. Both ratings need to be considered when determining the limitation of the valve for specific application. Consult factory for other seat materials.

## MATERIALS LIST

NO.	PART NAME	QTY.	MATERIAL
1	BODY	1	ASTM A351 GRADE CF8M
2	END CAP	1	ASTM A351 GRADE CF8M
3	BALL	1	ASTM A351 GRADE CF8M
4	STEM	1	ASTM A276 SS316
5	STEM NUT	1	AISI 304
6	BELLEVILLE WASHER	2	AISI 301
7	HANDLE	1	AISI 304
8	SEAT	2	RTFE
9	GLAND BUSHING	1	AISI 304
10	GLAND PACKING	2	PTFE
11	THRUST WASHER	1	RTFE
12	LOCK SADDLE	1	AISI 304
13	JOINT GASKET	2	PTFE
14	TB END CAP	1	ASTM A351 GRADE CF3M
15	STOP BOLT	1	AISI 304
16	HANDLE SLEEVE	1	VINYL
17	BODY BOLT	*	ASTM A194 GRADE 8
18	BODY BOLT NUT	*	AISI 304
19	HANDLE LOCK	1	AISI 304

\* For 2" and 3" — 4 pcs.  
For 4" — 6 pcs.

## DIMENSIONS (IN)

SIZE	A	B	C	D	E	F	H	I	J	K	L	L1	M	N	Q	T	W	W1
2"	1.97	0.382	7.28	2.15	1.22	4.33	2.41	3.62	4.75	0.63	6.48	4.86	2.38	6.00	0.75	0.06	0.63	0.06
3"	3.15	0.472	10.24	3.33	1.55	6.38	3.54	5.00	6.00	0.63	8.32	6.77	3.54	7.50	0.75	0.08	0.75	0.06
4"	3.94	0.591	11.42	4.19	2.06	7.48	4.55	6.19	7.50	0.79	10.65	8.44	4.57	9.00	0.75	0.14	0.94	0.06

SIZE	Y	Z	AB	AC	AD	AE	AG	AH	AJ	DD	NN	LBS	#(LBS)	ISO 5211
2"	0.539	M6	2.28	1.38	0.551	0.86	6.00	1.00	2.95	1.969	4	10.5	15.0	F05
3"	0.736	M10	3.17	2.76	0.748	1.23	10.00	1.22	6.50	4.016	4	34.5	42.0	F10
4"	1.165	M10	3.80	2.76	0.748	1.42	11.38	1.30	7.68	4.016	8	57.0	70.0	F10

#(LBS) IS FOR TANK BOTTOM x FLANGED END WEIGHTS

A-T Controls reserves the right to change product designs and technical/dimensional specifications without notice.



A-T Controls, Inc.

9955 International Blvd.  
Cincinnati, Ohio 45246  
www.atcontrols.com

PHONE (513) 247-5465  
FAX (513) 247-5462  
sales@atcontrols.com