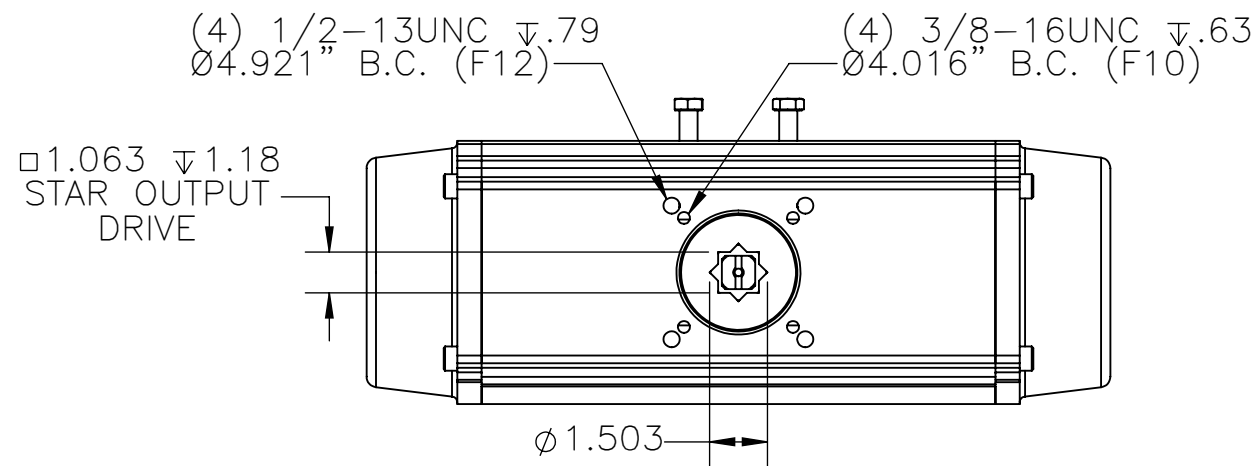


Weight (lbs)	DA	44.6
	SR	51.5
Volume (in ³ per 90°)	CW	341.1
	CCW	228.8
Cycle Time (seconds per 90°)	DA	3.3
	SR	3.3



3R850 Output Torque (in*lbs) per Air Supply (psi)

	Spring Torque	40 psi		60 psi		80 psi		100 psi		120 psi			
		End	Break	End	Break	End	Break	End	Break	End	Break		
Springs per Side	2	937	1398	1694	2155	3240	3701	4786	5247	6332	6793	-	-
	3	1406	2096	995	1686	2541	3232	4087	4778	5633	6324	-	-
	4	1874	2795	297	1217	1843	2763	3389	4309	4934	5855	-	-
	5	2343	3494	-	-	1144	2295	2690	3841	4236	5387	-	-
	6	2812	4193	-	-	445	1826	1991	3372	3537	4918	-	-
Double Acting		-		3092		4638		6184		7730		9276	

Direct Acting:
 Pressure at port P1 will result in a clockwise rotation
 Pressure at port P2 will result in a counter-clockwise rotation
 Reverse Acting:
 Pressure at port P1 will result in a counter-clockwise rotation
 Pressure at port P2 will result in a clockwise rotation

NOTES: Accessory mounting holes are not intended for Manual Gear Overrides or Stop Blocks. Cycle times are under no load conditions. Air line size, air capacity, and valve torque characteristics affect these cycle times. Faster or slower cycle times can be accomplished using special control components.



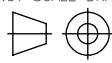
9955 INTERNATIONAL BLVD.
 CINCINNATI, OHIO 45246
 PHONE: (513) 247-5465
 FAX: (513) 247-5462

DRAWN BY SJK CHECKED BY NPM RELEASED BY NPM
 DATE 07/13/21 DATE 07/14/21 DATE 07/14/21

VALVES, ACTUATORS, AND AUTOMATION CONTROLS

SHEET 1 of 1

DO NOT SCALE DRAWING



DESCRIPTION
 3R850 DIMENSIONAL DRAWING AND TORQUE DATA

MATERIAL
 DRAWING NO. P03924
 REVISION

THE DESIGN AND DISCLOSURE CONTAINED IN THIS DRAWING WAS ORIGINATED BY, AND IS EXCLUSIVE PROPERTY OF A-T CONTROLS, INC. IT IS FURNISHED FOR VENDOR INFORMATION ONLY AND IS NOT AN AUTHORIZATION OR LICENSE TO MAKE THIS CONSTRUCTION OR TO FURNISH THIS INFORMATION TO OTHERS. ALL DRAWINGS MUST BE RETURNED TO A-T CONTROLS, INC. ON DEMAND. THIS DRAWING IS NOT TO BE REPRODUCED OR COPIED IN ANY FORM WITHOUT THE EXPRESS WRITTEN PERMISSION OF A-T CONTROLS, INC.