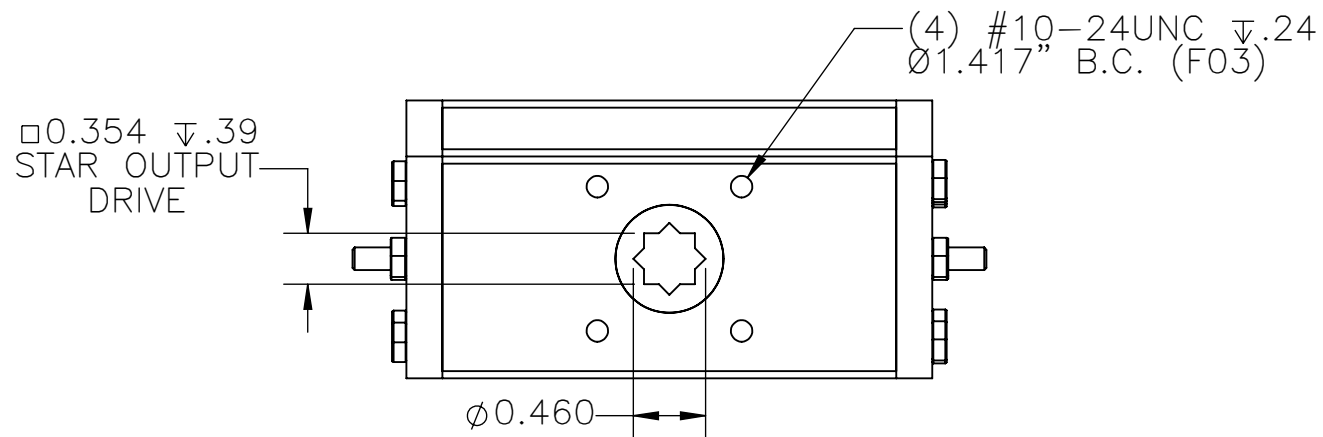


Weight (lbs)	DA	2.2
	SR	N/A
Volume (in <sup>3</sup> per 90°)	CW	3.0
	CCW	3.0
Cycle Time (seconds per 90°)	DA	0.3
	SR	N/A



**3R10 Output Torque (in\*lbs) per Air Supply (psi)**

Double Acting	40 psi		60 psi		80 psi		100 psi		120 psi	
	End	Break	End	Break	End	Break	End	Break	End	Break
		30		45		60		75		90

Direct Acting:  
 Pressure at port P1 will result in a clockwise rotation  
 Pressure at port P2 will result in a counter-clockwise rotation  
 Reverse Acting:  
 Pressure at port P1 will result in a counter-clockwise rotation  
 Pressure at port P2 will result in a clockwise rotation

NOTES: Accessory mounting holes are not intended for Manual Gear Overrides or Stop Blocks. Cycle times are under no load conditions. Air line size, air capacity, and valve torque characteristics affect these cycle times. Faster or slower cycle times can be accomplished using special control components.

	9955 INTERNATIONAL BLVD. CINCINNATI, OHIO 45246 PHONE: (513) 247-5465 FAX: (513) 247-5462	DRAWN BY SJK DATE 08/18/21	CHECKED BY NPM DATE 08/18/21	RELEASED BY NPM DATE 08/18/21	<b>VALVES, ACTUATORS, AND AUTOMATION CONTROLS</b>	SHEET 1 of 1	
	DO NOT SCALE DRAWING 	DESCRIPTION 3R10 DIMENSIONAL DRAWING AND TORQUE DATA				MATERIAL	DRAWING NO. <b>P03953</b>

THE DESIGN AND DISCLOSURE CONTAINED IN THIS DRAWING WAS ORIGINATED BY, AND IS EXCLUSIVE PROPERTY OF A-T CONTROLS, INC. IT IS FURNISHED FOR VENDOR INFORMATION ONLY AND IS NOT AN AUTHORIZATION OR LICENSE TO MAKE THIS CONSTRUCTION OR TO FURNISH THIS INFORMATION TO OTHERS. ALL DRAWINGS MUST BE RETURNED TO A-T CONTROLS, INC. ON DEMAND. THIS DRAWING IS NOT TO BE REPRODUCED OR COPIED IN ANY FORM WITHOUT THE EXPRESS WRITTEN PERMISSION OF A-T CONTROLS, INC.