



Series C8/CR Cryogenic

HIGH PERFORMANCE 3-Piece Design

Sizes 1/4"-2", Full Port (C8)
 Sizes 1/2"-2", Regular Port (CR)

Stainless Steel Body

Threaded, Socket Weld or Butt Weld

1000 psi

ISO 5211 Direct Mounting Pad

Superior Live Loaded Packing System

Blowout Proof Stem w/ Dual Anti-Static Devices

PCTFE Seats

17-4 PH Stem

Lockable Manual Handle

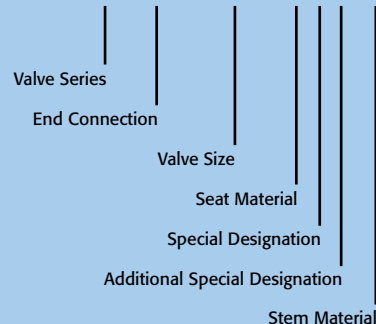
STANDARDS

DESIGN	ASME B16.34, BS 6364
END CONNECTIONS	ASME B16.25, B1.20.1, B16.11
PRESSURE TESTING	API 598
MOUNTING	ISO 5211
MARKING SYSTEM FOR VALVES	ISO 5209
CRYOGENIC SERVICE TEST	BS 6364
MATERIAL CERTIFICATION	EN 10204-3.1 MTR
QUALITY ASSURANCE	ISO 9001: 2015

HOW TO ORDER MANUAL VALVES

SAMPLE PART #

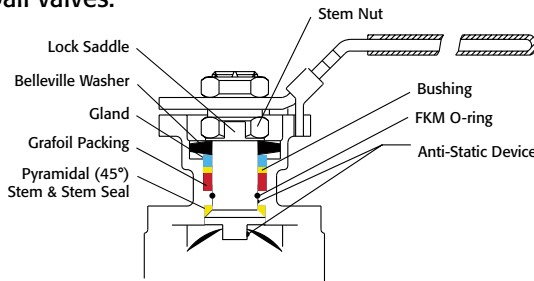
C8-TH-0200-KXX-A



See part number matrix for itemized options



Triac C8/CR Series 3-Piece Ball Valves feature a direct mount automation pad. The high quality investment castings feature a fully machined bore. The superior live loaded packing system is accomplished with Belleville washers, "V" ring packing and a unique primary pyramidal stem seal. This advanced sealing system provides protection against stem leaks experienced by ordinary ball valves.



VALVE SIZE	VALVE Cv	
	FULL PORT	REG. PORT
1/4"	7	N/A
3/8"	8	N/A
1/2"	15	12
3/4"	40	15
1"	70	34
1-1/4"	110	56
1-1/2"	250	95
2"	430	200

PCTFE seats are standard and are excellent for services that call for low temperatures, as well as more demanding ones such as using liquid nitrogen for freezer applications. Call us for details.

Easy to Automate!

See automated data sheets for pre-sized assemblies



Pneumatic



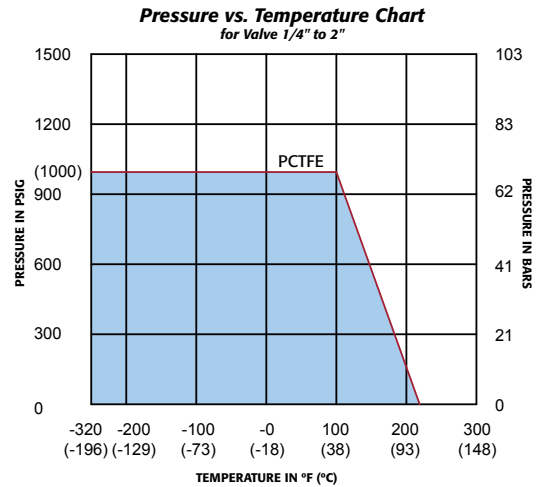
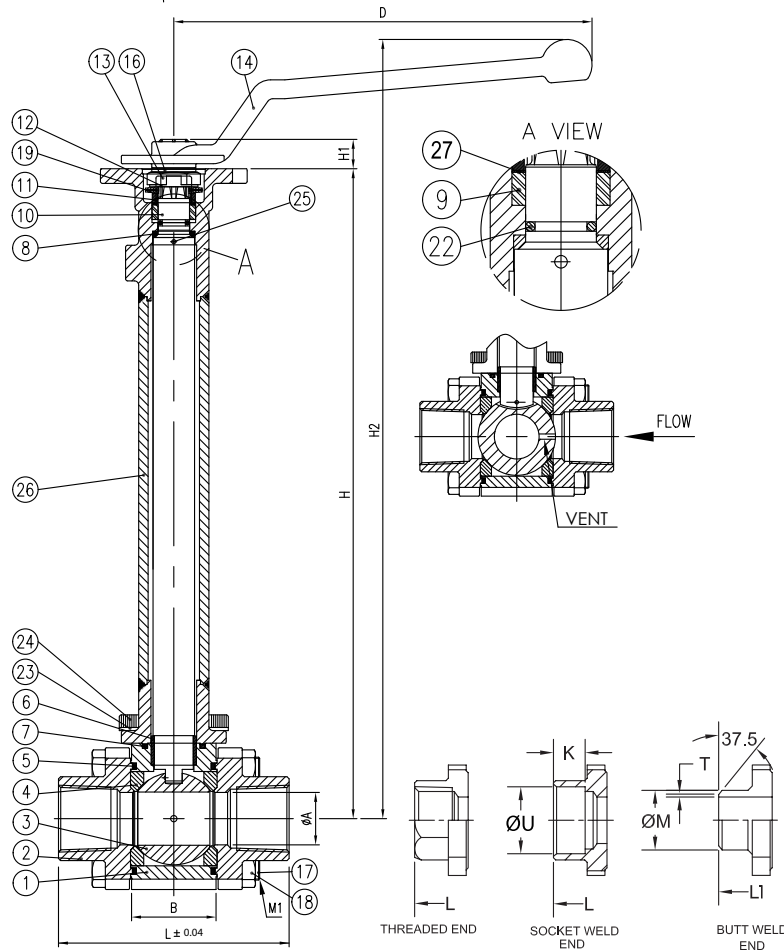
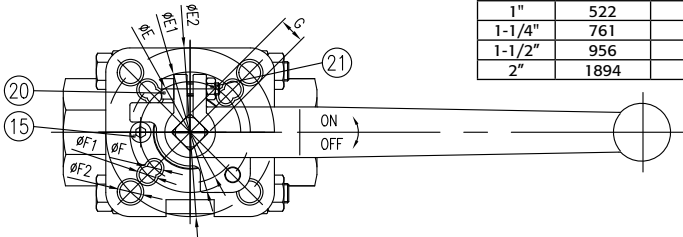
Electric

Series C8/CR

High Performance
Full Port or Regular Port
3-Piece Ball Valve
ISO 5211 Direct Mount

Threaded, Socket Weld
or Butt Weld
1000 psi
1/4" - 2"

Valve Torque (In-Lbs) with PCTFE Seats @ 1000 psi		
Size	Full Port	Regular Port
1/4"	186	-
3/8"	186	-
1/2"	186	186
3/4"	416	186
1"	522	416
1-1/4"	761	522
1-1/2"	956	761
2"	1894	956



MATERIALS LIST

NO.	PART NAME	QTY	MATERIAL
1	BODY	1	ASTM A351 GRADE CF8M*
2	END CAP	2	ASTM A351 GRADE CF8M*
3	BALL	1	1/4" THRU 3/8" ASTM A276 SS316*
3	BALL	1	1/2" THRU 2" ASTM A351 GRADE CF8M*
4	SEAT	2	PCTFE
5	JOINT GASKET	2	Graphite
6	STEM BEARING	1	PTFE
7	JOINT GASKET	1	Graphite
8	STEM SEAL	1	TFM-1600
9	STEM PACKING	1	Graphite
10	STEM	1	17-4 PH*
11	GLAND BUSHING	1	AISI 304
12	LOCK SADDLE	1	AISI 304
13	STEM NUT	1	AISI 304
14	HANDLE	1	ASTM A351 GRADE CF8
15	STOP BOLT	1	AISI 304
16	STEM WASHER	1	AISI 304
17	BODY BOLT	4	ASTM A193 GRADE B8*
18	BODY BOLT NUT	4	ASTM A194 GRADE 8*
19	BELLEVILLE WASHER	2	AISI 301
20	HANDLE SCREW	1	AISI 304
21	HANDLE SCREW NUT	1	AISI 304
22	O-RING	1	FKM
23	SCREW WASHER	4	AISI 304*
24	SCREW	4	AISI 304*
25	ANTI-STATIC DEVICE	2	AISI 316*
26	EXTENDED BONNET	1	ASTM A351 GRADE CF8M*
27	GLAND WASHER	1	RTFE

*Cryogenic Treatment before Assembly.

DIMENSIONS (IN)

SIZE	ØA		B		D		ØE		ØE1		ØE2		ØF		ØF1		ØF2		G		H		H1		H2		K		L		ØM		M1		T		ØU		(LBS)		ISO 5211		
	F	R	F	R	F	R	F	R	F	R	F	R	F	R	F	R	F	R	F	R	F	R	F	R	F	R	F	R	F	R	F	R	F	R	F	R	F	R	F	R	F	R	
1/4"	0.45	-	0.96	-	6.30	-	1.417	-	1.654	-	1.969	-	0.26	-	-	-	0.28	-	0.354	-	11.81	-	0.35	-	13.60	-	0.39	-	2.95	-	0.54	-	M6	-	-	-	0.54	-	5	-	F03/F04/F05	-	
3/8"	0.50	-	0.96	-	6.30	-	1.417	-	1.654	-	1.969	-	0.26	-	-	-	0.28	-	0.354	-	11.97	-	0.35	-	13.60	-	0.39	-	2.95	-	0.69	-	M6	-	-	-	0.69	-	5	-	F03/F04/F05	-	
1/2"	0.59	0.50	0.96	0.96	6.30	6.30	1.417	1.417	1.654	1.654	1.969	1.969	0.26	0.26	-	-	0.28	0.28	0.354	0.354	11.81	11.97	0.35	0.35	13.60	13.60	0.39	0.39	2.85	2.95	0.85	0.85	M6	M7	0.06	0.06	0.85	0.85	5	5	F03/F04/F05	F03/F04/F05	
3/4"	0.79	0.59	1.24	0.96	6.30	6.30	1.417	1.417	1.654	1.654	1.969	1.969	0.26	0.26	-	-	0.28	0.28	0.354	0.354	11.97	11.81	0.35	0.35	13.76	13.60	0.51	0.51	3.36	2.85	1.07	1.07	M8	M6	0.06	0.06	1.07	1.07	6	5	F03/F04/F05	F03/F04/F05	
1"	0.98	0.79	1.63	1.24	7.87	6.30	1.654	1.417	1.969	1.654	2.756	2.756	0.197	0.24	0.26	0.28	-	0.35	0.28	0.433	0.354	12.20	11.97	0.43	0.35	14.57	13.76	0.51	0.51	4.15	3.36	1.34	1.34	M8	M8	0.06	0.06	1.34	1.34	9	6	F04/F05/F07	F03/F04/F05
1-1/4"	1.26	0.98	1.91	1.63	7.87	7.87	1.654	1.654	1.969	1.969	2.756	2.756	0.24	0.24	0.28	0.28	0.35	0.35	0.433	0.433	12.36	12.20	0.43	0.43	14.72	14.57	0.51	0.51	5.01	4.37	1.91	1.91	M10	M8	0.06	0.06	1.91	1.91	16	10	F04/F05/F07	F04/F05/F07	
1-1/2"	1.50	1.26	2.22	1.91	9.84	7.87	1.969	1.654	2.756	1.969	-	2.756	0.30	0.24	0.35	0.28	-	0.35	0.551	0.433	12.94	12.36	0.55	0.43	15.66	14.72	0.51	0.51	5.01	4.37	1.91	1.91	M10	M10	0.06	0.06	1.91	1.91	16	10	F05/F07	F04/F05/F07	
2"	1.97	1.50	2.81	2.22	9.84	9.84	1.969	1.969	2.756	2.756	-	-	0.30	0.30	0.35	0.35	-	-	0.551	0.551	13.91	12.94	0.55	0.55	16.63	15.66	0.63	0.63	5.71	5.01	2.38	2.38	M12	M10	0.06	0.06	2.38	2.38	22	16	F05/F07	F05/F07	

F denotes Full Port Dimensions
R denotes Regular Port Dimensions

For Oxygen Service, call for details.

A-T Controls reserves the right to change product designs and technical/dimensional specifications without notice.



9955 International Blvd. PHONE (513) 247-5465
Cincinnati, Ohio 45246 FAX (513) 247-5462
www.atcontrols.com sales@atcontrols.com

Pneumatic Double Acting

Automated Ball Valve Package

Series C8/CR Cryogenic Ball Valve

Sizes 1/4"-2", Full Port (C8)
 Sizes 1/2"-2", Regular Port (CR)

Stainless Steel Body
 Threaded, Socket Weld
 or Butt Weld

1000 psi

Superior Live Loaded Packing System

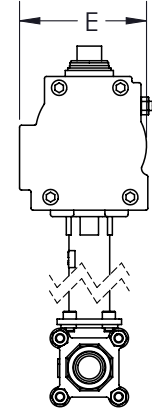
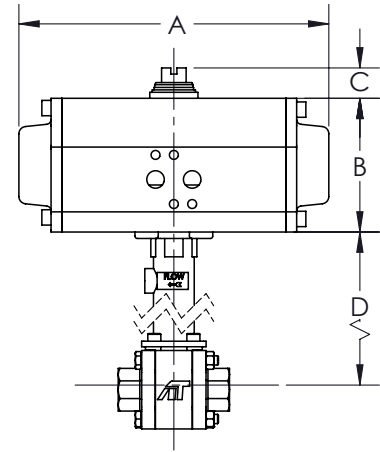
Blowout Proof Stem w/ Dual Anti-Static Devices

PCTFE Seats

17-4 PH Stem

STANDARDS

DESIGN	ASME B16.34, BS 6364
END CONNECTIONS	ASME B16.25, B1.20.1, B16.11
PRESSURE TESTING	API 598
MOUNTING	ISO 5211
MARKING SYSTEM FOR VALVES	ISO 5209
CRYOGENIC SERVICE TEST	BS 6364
MATERIAL CERTIFICATION	EN 10204-3.1 MTR
QUALITY ASSURANCE	ISO 9001:2015



DIMENSIONS (IN) Full Port

VALVE SIZE	A	B	C	D	E	VALVE Cv
1/4"	7.60	3.47	0.787	11.81	3.35	7
3/8"	7.60	3.47	0.787	11.97	3.35	8
1/2"	7.60	3.47	0.787	11.81	3.35	15
3/4"	9.29	4.30	0.787	11.97	4.18	40
1"	9.29	4.30	0.787	12.20	4.18	70
1-1/4"	11.02	4.61	0.787	12.36	4.27	110
1-1/2"	11.02	4.61	0.787	12.94	4.27	250
2"	13.39	6.14	0.787	13.91	5.59	430

Regular Port

VALVE SIZE	A	B	C	D	E	VALVE Cv
1/2"	7.60	3.47	0.787	11.81	3.35	12
3/4"	7.60	3.47	0.787	11.97	3.35	15
1"	9.29	4.30	0.787	12.20	4.18	34
1-1/4"	9.29	4.30	0.787	12.36	4.18	56
1-1/2"	11.02	4.61	0.787	12.94	4.27	95
2"	11.02	4.61	0.787	13.91	4.27	200

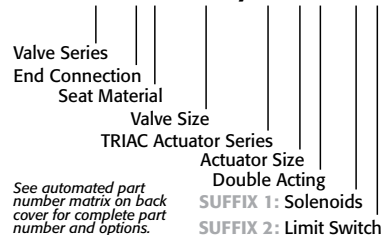
DIMENSIONS SHOWN ARE FOR ASSEMBLIES SIZED FOR 80 PSI SUPPLY

SERIES C8/CR CRYOGENIC

SIZE	SIZED FOR 80 PSI AIR SUPPLY		SIZED FOR 60 PSI AIR SUPPLY	
	FULL PORT	REGULAR PORT	FULL PORT	REGULAR PORT
MODEL	MODEL	MODEL	MODEL	
1/4"	C8-TK-025/3RED-XX	N/A	C8-TK-025/3RED-XX	N/A
3/8"	C8-TK-038/3RED-XX	N/A	C8-TK-038/3RED-XX	N/A
1/2"	C8-TK-050/3RED-XX	CR-TK-050/3RED-XX	C8-TK-050/3RED-XX	CR-TK-050/3RED-XX
3/4"	C8-TK-075/3RFD-XX	CR-TK-075/3RED-XX	C8-TK-075/3RFD-XX	CR-TK-075/3RED-XX
1"	C8-TK-100/3RFD-XX	CR-TK-100/3RFD-XX	C8-TK-100/3RFD-XX	CR-TK-100/3RFD-XX
1-1/4"	C8-TK-125/3RGD-XX	CR-TK-125/3RFD-XX	C8-TK-125/3RGD-XX	CR-TK-125/3RFD-XX
1-1/2"	C8-TK-150/3RGD-XX	CR-TK-150/3RGD-XX	C8-TK-150/3RHD-XX	CR-TK-150/3RGD-XX
2"	C8-TK-200/3RJD-XX	CR-TK-200/3RGD-XX	C8-TK-200/3RKD-XX	CR-TK-200/3RHD-XX

OPTIONS		
SUFFIX 1	Accessories/Options	Model no.
X	No Specials	
A	TYPE 4 Solenoid 120VAC	TVCS-X411-4N-A120
B	TYPE 7 Solenoid 120VAC	TVC6-X411-7N-A120
C	Intrinsically Safe Solenoid	TVIS-X411-4N-D24
D	TYPE 4 Solenoid 24VDC	TVCS-X411-4N-D24
F	TYPE 7 Solenoid 24VDC	TVC6-X411-7N-D24
Q	TYPE 4 SST Solenoid 120VAC	TVSS-X411-4N-A120
M	TYPE 7 SST Solenoid 120VAC	TVSS-X411-7N-A120
L	TYPE 4 SST Solenoid 24VDC	TVSS-X411-4N-D24
N	TYPE 7 SST Solenoid 24VDC	TVSS-X411-7N-D24
P	Pneumatic Positioner	PPR-1200
E	Electro-Pneumatic Positioner	EPR-1000
SUFFIX 2	Accessories	Model no.
X	No Specials	
A	TYPE 4 Limit Switch	APL-210N
B	TYPE 7 Limit Switch	APL-510N
C	Intrinsically Safe Limit Switch	APL-218N
Q	TYPE 4 SST Limit Switch	APL-910N
M	TYPE 7 SST Limit Switch	APL-510S

SAMPLE PART # C8-TK-100/3RFD-XX



Other options available - call for details
 Actuators are sized based on full differential pressure with clean water. Consult the Application Sizing Guide for assistance with sizing actuators.

Pneumatic Spring Return

Automated Ball Valve Package

Series C8/CR Cryogenic Ball Valve

Sizes 1/4"-2", Full Port (C8)
 Sizes 1/2"-2", Regular Port (CR)

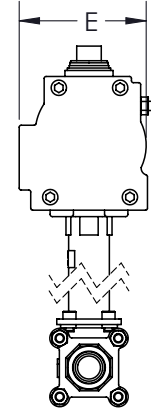
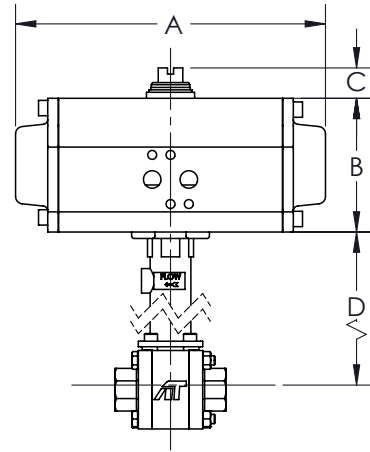
Stainless Steel Body
 Threaded, Socket Weld
 or Butt Weld

1000 psi
 Superior Live Loaded Packing
 System
 Blowout Proof Stem w/ Dual
 Anti-Static Devices

PCTFE Seats
 17-4 PH Stem

STANDARDS

DESIGN	ASME B16.34, BS 6364
END CONNECTIONS	ASME B16.25, B1.20.1, B16.11
PRESSURE TESTING	API 598
MOUNTING	ISO 5211
MARKING SYSTEM FOR VALVES	ISO 5209
CRYOGENIC SERVICE TEST	BS 6364
MATERIAL CERTIFICATION	EN 10204-3.1 MTR
QUALITY ASSURANCE	ISO 9001:2015



SERIES C8/CR Cryogenic

DIMENSIONS (IN) Full Port

VALVE SIZE	A	B	C	D	E	VALVE Cv
1/4"	9.29	4.30	0.787	11.81	4.18	7
3/8"	9.29	4.30	0.787	11.97	4.18	8
1/2"	9.29	4.30	0.787	11.81	4.18	15
3/4"	11.50	5.28	0.787	11.97	5.78	40
1"	11.50	5.28	0.787	12.20	5.78	70
1-1/4"	13.39	6.14	0.787	12.36	5.59	110
1-1/2"	15.35	6.81	1.181	12.94	5.98	250
2"	19.37	7.82	1.181	13.91	6.85	430

Regular Port

VALVE SIZE	A	B	C	D	E	VALVE Cv
1/2"	9.29	4.30	0.787	11.81	4.18	12
3/4"	9.29	4.30	0.787	11.97	4.18	15
1"	11.50	5.28	0.787	12.20	5.78	34
1-1/4"	11.50	5.28	0.787	12.36	5.78	56
1-1/2"	15.35	6.81	1.181	12.94	5.98	95
2"	15.35	6.81	1.181	13.91	5.98	200

DIMENSIONS SHOWN ARE FOR ASSEMBLIES SIZED FOR 80 PSI SUPPLY

SIZE	SIZED FOR 80 PSI AIR SUPPLY		SIZED FOR 60 PSI AIR SUPPLY	
	FULL PORT	REGULAR PORT	FULL PORT	REGULAR PORT
1/4"	C8-TK-025/3RFS-XX	N/A	C8-TK-025/3RF4-XX	N/A
3/8"	C8-TK-038/3RFS-XX	N/A	C8-TK-038/3RF4-XX	N/A
1/2"	C8-TK-050/3RFS-XX	CR-TK-050/3RFS-XX	C8-TK-050/3RF4-XX	CR-TK-050/3RF4-XX
3/4"	C8-TK-075/3RHS-XX	CR-TK-075/3RFS-XX	C8-TK-075/3RH4-XX	CR-TK-075/3RF4-XX
1"	C8-TK-100/3RHS-XX	CR-TK-100/3RHS-XX	C8-TK-100/3RJ4-XX	CR-TK-100/3RH4-XX
1-1/4"	C8-TK-125/3RJS-XX	CR-TK-125/3RHS-XX	C8-TK-125/3RK4-XX	CR-TK-125/3RJ4-XX
1-1/2"	C8-TK-150/3RKS-XX	CR-TK-150/3RKS-XX	C8-TK-150/3RK4-XX	CR-TK-150/3RK4-XX
2"	C8-TK-200/3RMS-XX	CR-TK-200/3RKS-XX	C8-TK-200/3RN4-XX	CR-TK-200/3RK4-XX

OPTIONS		
SUFFIX 1	Accessories/Options	Model no.
X	No Specials	
A	TYPE 4 Solenoid 120VAC	TVCS-X411-4N-A120
B	TYPE 7 Solenoid 120VAC	TVCS-X411-7N-A120
C	Intrinsically Safe Solenoid	TVIS-X411-4N-D24
D	TYPE 4 Solenoid 24VDC	TVCS-X411-4N-D24
F	TYPE 7 Solenoid 24VDC	TVCS-X411-7N-D24
Q	TYPE 4 SST Solenoid 120VAC	TVSS-X411-4N-A120
M	TYPE 7 SST Solenoid 120VAC	TVSS-X411-7N-A120
L	TYPE 4 SST Solenoid 24VDC	TVSS-X411-4N-D24
N	TYPE 7 SST Solenoid 24VDC	TVSS-X411-7N-D24
P	Pneumatic Positioner	PPR-1200
E	Electro-Pneumatic Positioner	EPR-1000

SUFFIX 2	Accessories	Model no.
X	No Specials	
A	TYPE 4 Limit Switch	APL-210N
B	TYPE 7 Limit Switch	APL-510N
C	Intrinsically Safe Limit Switch	APL-218N
Q	TYPE 4 SST Limit Switch	APL-910N
M	TYPE 7 SST Limit Switch	APL-510S

Other options available - call for details
 Actuators are sized based on full differential pressure with clean water. Consult the Application Sizing Guide for assistance with sizing actuators.

SAMPLE PART #
C8-TK-100/3RHS-XX

| Valve Series
 | End Connection
 | Seat Material
 | Valve Size
 | TRIAC Actuator Series
 | Actuator Size
 | Spring Return
 | SUFFIX 1: Solenoids
 | SUFFIX 2: Limit Switch

See automated part number matrix on back cover for complete part number and options.

Electric

Automated Ball Valve Package

Series C8/CR Cryogenic Ball Valve

Sizes 1/4"-2", Full Port (C8)
 Sizes 1/2"-2", Regular Port (CR)

Stainless Steel Body
 Threaded, Socket Weld
 or Butt Weld

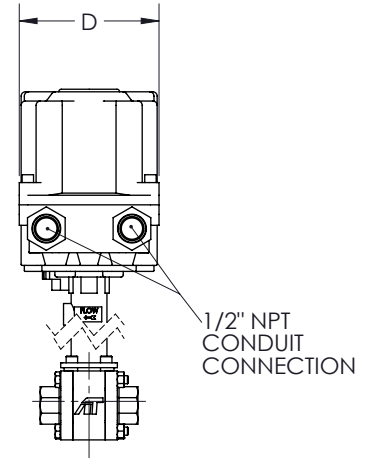
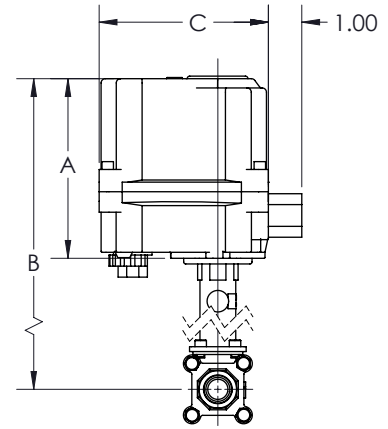
1000 psi
 Superior Live Loaded Packing
 System

Blowout Proof Stem w/ Dual
 Anti-Static Devices

PCTFE Seats
 17-4 PH Stem

STANDARDS

DESIGN	ASME B16.34, BS 6364
END CONNECTIONS	ASME B16.25, B1.20.1, B16.11
PRESSURE TESTING	API 598
MOUNTING	ISO 5211
MARKING SYSTEM FOR VALVES	ISO 5209
CRYOGENIC SERVICE TEST	BS 6364
MATERIAL CERTIFICATION	EN 10204-3.1 MTR
QUALITY ASSURANCE	ISO 9001:2015



DIMENSIONS (IN) Full Port

VALVE SIZE	A	B	C	D	VALVE Cv
1/4"	5.24	17.05	4.94	4.08	7
3/8"	5.24	17.21	4.94	4.08	8
1/2"	5.24	17.05	4.94	4.08	15
3/4"	5.24	17.21	4.94	4.08	40
1"	5.24	17.44	4.94	4.08	70
1-1/4"	10.55	22.91	9.02	13.31	110
1-1/2"	10.55	23.49	9.02	13.31	250
2"	11.42	25.33	13.31	9.02	430

Regular Port

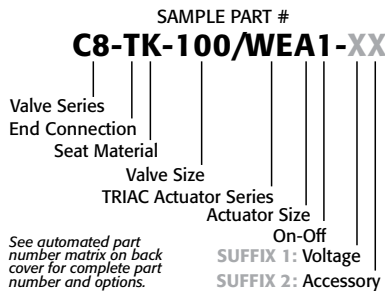
VALVE SIZE	A	B	C	D	VALVE Cv
1/2"	5.24	17.21	4.94	4.08	12
3/4"	5.24	17.05	4.94	4.08	15
1"	5.24	17.21	4.94	4.08	34
1-1/4"	9.25	21.45	6.69	10.16	56
1-1/2"	10.55	22.91	9.02	13.31	95
2"	10.55	23.49	9.02	13.31	200

DIMENSIONS SHOWN ARE FOR ASSEMBLIES SIZED FOR ON-OFF SERVICE

SIZE	ON-OFF		MODULATING	
	FULL PORT	REGULAR PORT	FULL PORT	REGULAR PORT
MODEL	MODEL	MODEL	MODEL	
1/4"	C8-TK-025/WEA1-XX	N/A	C8-TK-025/WEA2-XX	N/A
3/8"	C8-TK-038/WEA1-XX	N/A	C8-TK-038/WEA2-XX	N/A
1/2"	C8-TK-050/WEA1-XX	CR-TK-050/WEA1-XX	C8-TK-050/WEA2-XX	CR-TK-050/WEA2-XX
3/4"	C8-TK-075/WEA1-XX	CR-TK-075/WEA1-XX	C8-TK-075/WEA2-XX	CR-TK-075/WEA2-XX
1"	C8-TK-100/WEA1-XX	CR-TK-100/WEA1-XX	C8-TK-100/WEB2-XX	CR-TK-100/WEA2-XX
1-1/4"	C8-TK-125/WEC1-XX	CR-TK-125/WEB1-XX	C8-TK-125/WEC2-XX	CR-TK-125/WEB2-XX
1-1/2"	C8-TK-150/WEC1-XX	CR-TK-150/WEC1-XX	C8-TK-150/WEC2-XX	CR-TK-150/WEC2-XX
2"	C8-TK-200/WEE1-XX	CR-TK-200/WEC1-XX	C8-TK-200/WEE2-XX	CR-TK-200/WEC2-XX

OPTIONS		Model No.
Suffix 1 Voltage / Accessory		
X	No Specials	
R	24VDC Electric Actuator	
S	220VAC Electric Actuator	
T	Other Voltage Electric Actuator	
W	12VDC Electric Actuator	
Y	24VAC Electric Actuator	
* No voltage specified on electric assemblies denotes 120VAC		
Suffix 2 Accessories		
X	No Specials	
1	HS1 High Speed Electric	
2	HS2 High Speed Electric	

Other options available - call for details
 Actuators are sized based on full differential pressure with clean water. Consult the Application Sizing Guide for assistance with sizing actuators.



Series C8/CR

HOW TO ORDER: Manual Valves

2	Valve Series
C8	Cryogenic 3pc. Full-Port
CR	Cryogenic 3pc. Regular-Port

3	Body/Ball/Stem Material
Blank	Valve Series Standard (316SST)

4	End Connection
TH	NPT Ends
SW	Socket Weld Ends
BW	Butt Weld Ends
EW	Extended Butt Weld Ends
TE	NPT x Extended Butt Weld
TS	NPT x Socket Weld
XX	Configurable End Connection

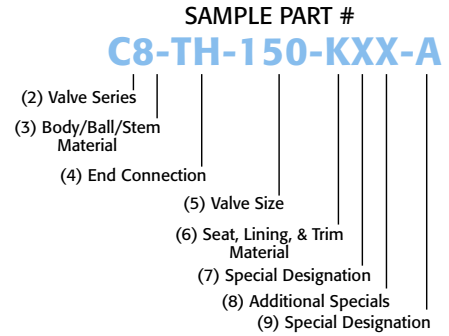
5	Valve Size
0025	1/4" 0100 1"
0038	3/8" 0125 1-1/4"
0050	1/2" 0150 1-1/2"
0075	3/4" 0200 2"

6	Seat, Lining & Trim Material
K	PCTFE Seats (Cryogenics)

7	Special Designation
X	No Specials/Series Standard
G	Gear Operator
H	Gear Operator with Lockout Plate
S	Spring Return Handle (Direct Mount only)
4	4" Lockable Stem Extension

8	Additional Specials
X	No Specials/Series Standard

9	Special Designation
Blank	No Designation, Valve Series Standard
X	Multiple Option Designation
3	30° V-Port (v-ball)
6	60° V-Port (v-ball)
9	90° V-Port (v-ball)
A	17-4 PH® Stem



HOW TO ORDER: Automated Valves

2	Valve Series
C8	Cryogenic 3pc. Full-Port
CR	Cryogenic 3pc. Regular-Port

3	Body/Ball/Stem Material
Blank	Valve Series Standard (316SST)

4	End Connection
T	NPT Ends
S	Socket Weld Ends
B	Butt Weld Ends
E	Extended Butt Weld Ends
M	NPT x Socket Weld

5	Seat, Lining & Trim Material
K	PCTFE Seats (Cryogenics)

6	Valve Size
025	1/4" 100 1"
038	3/8" 125 1-1/4"
050	1/2" 150 1-1/2"
075	3/4" 200 2"

7 (A) Pneumatic Actuator - 3R, 3N, 3P Series
3RC 3R10 3RM 3R850
3RD 3R20 3RN 3R1000
3RE 3R40 3RP 3R1200
3RF 3R80 3RR 3R1750
3RG 3R130 3RS 3R2400
3RH 3R200 3RT 3R2500
3RJ 3R300 3RU 3R2700
3RK 3R500 3RV 3R3300
3RL 3R700 3RW 3R3500

3R=Standard, 3N=Electroless Nickel Plating, 3P=Teflon™ (PTFE) Coating

7 (A) Pneumatic Actuator - S2 Series
S2C S2-052 S2G S2-125
S2D S2-063 S2H S2-140
S2E S2-083 S2J S2-160
S2F S2-105 S2K S2-210

7 (B) Pneumatic Action
D Double Acting (DA)
S Spring CW (5 springs)*
O Spring CCW (5 springs)*
4 Spring CW (4 springs)**
F Spring CCW (4 springs)**

*2500 & 3500 80 psig spring
**2500 & 3500 60 psig spring

7	Actuator - Electric (On-Off)			
WEX1	WE-350	WEG1	WE-5200	
WEA1	WE-500	WEH1	WE-6900	
WEB1	WE-690	WEJ1	WE-10500	
WEC1	WE-1350	WEK1	WE-17500	
WED1	WE-1700	WEL1	WE-25900	
WEE1	WE-2640	WEM1	WE-53000	
WEF1	WE-4400	WEN1	WE-80000	

7	Actuator - Electric (Modulating)			
WEA2	WEM-500	WEH2	WEM-6900	
WEB2	WEM-690	WEJ2	WEM-10500	
WEC2	WEM-1350	WEK2	WEM-17500	
WED2	WEM-1700	WEL2	WEM-25900	
WEE2	WEM-2640	WEM2	WEM-53000	
WEF2	WEM-4400	WEN2	WEM-80000	
WEG2	WEM-5200			

8	Accessories/Options	Model no.
X	No Specials	
A	TYPE 4 Solenoid 120VAC	TVCS-X411-4N-A120
B	TYPE 7 Solenoid 120VAC	TVC6-X411-7N-A120
C	Intrinsically Safe Solenoid	TVIS-X411-4N-D24
D	TYPE 4 Solenoid 24VDC	TVCS-X411-4N-D24
F	TYPE 7 Solenoid 24VDC	TVC6-X411-7N-D24
Q	TYPE 4 SST Solenoid 120VAC	TVSS-X411-4N-A120
M	TYPE 7 SST Solenoid 120VAC	TVSS-X411-7N-A120
L	TYPE 4 SST Solenoid 24VDC	TVSS-X411-4N-D24
N	TYPE 7 SST Solenoid 24VDC	TVSS-X411-7N-D24
P	Pneumatic Positioner	PPR-1200
E	Electro-Pneumatic Positioner	EPR-1000
R	24VDC Electric Actuator	
S	220VAC Electric Actuator	
T	Other Voltage Electric Actuator	
W	12VDC Electric Actuator	
Y	24VAC Electric Actuator	

*No voltage specified on electric assemblies denotes 120VAC

9	Accessories	Model no.
X	No Specials	
A	TYPE 4 Limit Switch	APL-210N
B	TYPE 7 Limit Switch	APL-510N
C	Intrinsically Safe Limit Switch	APL-218N
Q	TYPE 4 SST Limit Switch	APL-910N
M	TYPE 7 SST Limit Switch	APL-510S
Z	180° Operation	
1	HS1 High Speed Electric	
2	HS2 High Speed Electric	

AUTOMATED VALVE

SAMPLE PART #

C8-TK-100/3RHS-XX

