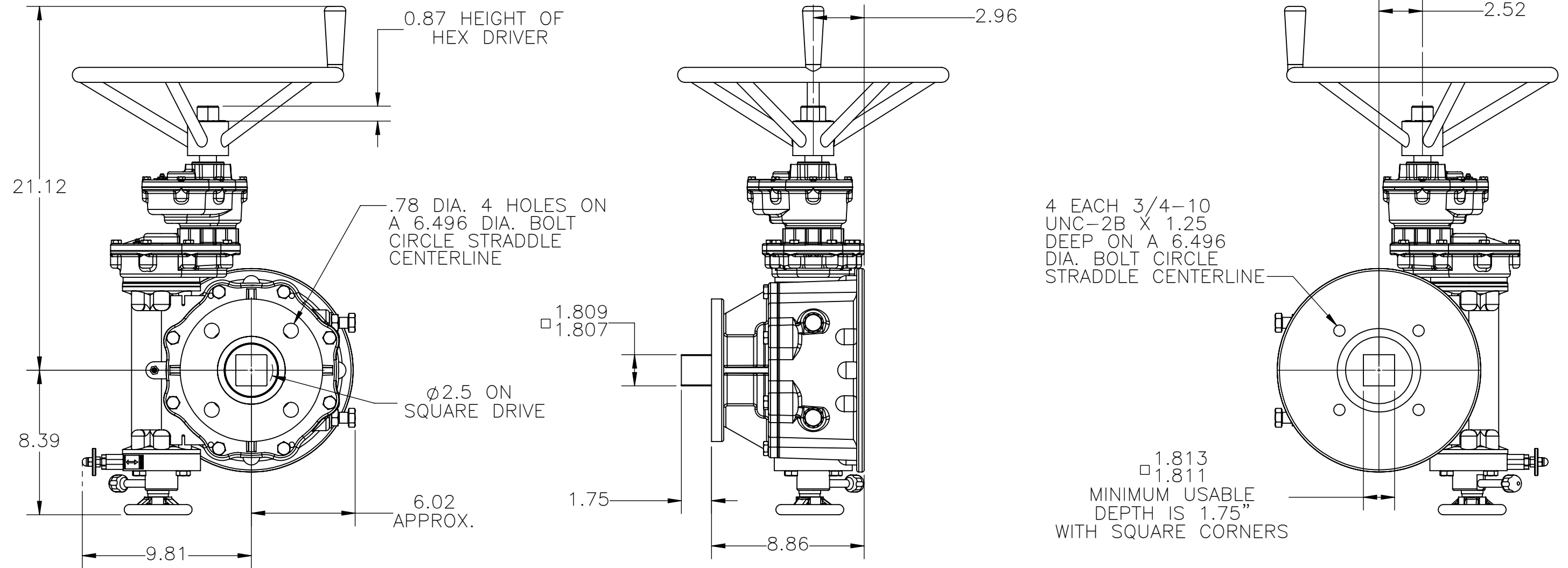


SEE DRAWING M04274 OR TAG ON DECLUTCH PIN FOR BASIC OPERATING INSTRUCTIONS.  
FOR DETAILED OPERATING INSTRUCTIONS SEE IOM08184.

TURN HANDWHEEL CLOCKWISE FOR CLOCKWISE OUTPUT SHAFT ROTATION WHEN VIEWED  
FROM ACTUATOR SIDE.



9955 INTERNATIONAL BLVD.  
CINCINNATI, OHIO 45246  
PHONE: (513) 247-5465  
FAX: (513) 247-5462

DRAWN BY CHS	CHECKED BY NPM	RELEASED BY NPM
DATE 01/11/23	DATE 01/16/23	DATE 01/16/23

**VALVES, ACTUATORS, AND AUTOMATION CONTROLS**

SHEET 1 of 1

DO NOT SCALE DRAWING



DESCRIPTION  
3RDGO-46B DIMENSIONAL DRAWING FOR CUSTOMER USE.

MATERIAL

DRAWING NO. REVISION

P04475

THE DESIGN AND DISCLOSURE CONTAINED IN THIS DRAWING WAS ORIGINATED BY, AND IS EXCLUSIVE PROPERTY OF A-T CONTROLS, INC. IT IS FURNISHED FOR VENDOR INFORMATION ONLY AND IS NOT AN AUTHORIZATION OR LICENSE TO MAKE THIS CONSTRUCTION OR TO FURNISH THIS INFORMATION TO OTHERS. ALL DRAWINGS MUST BE RETURNED TO A-T CONTROLS, INC. ON DEMAND. THIS DRAWING IS NOT TO BE REPRODUCED OR COPIED IN ANY FORM WITHOUT THE EXPRESS WRITTEN PERMISSION OF A-T CONTROLS, INC.