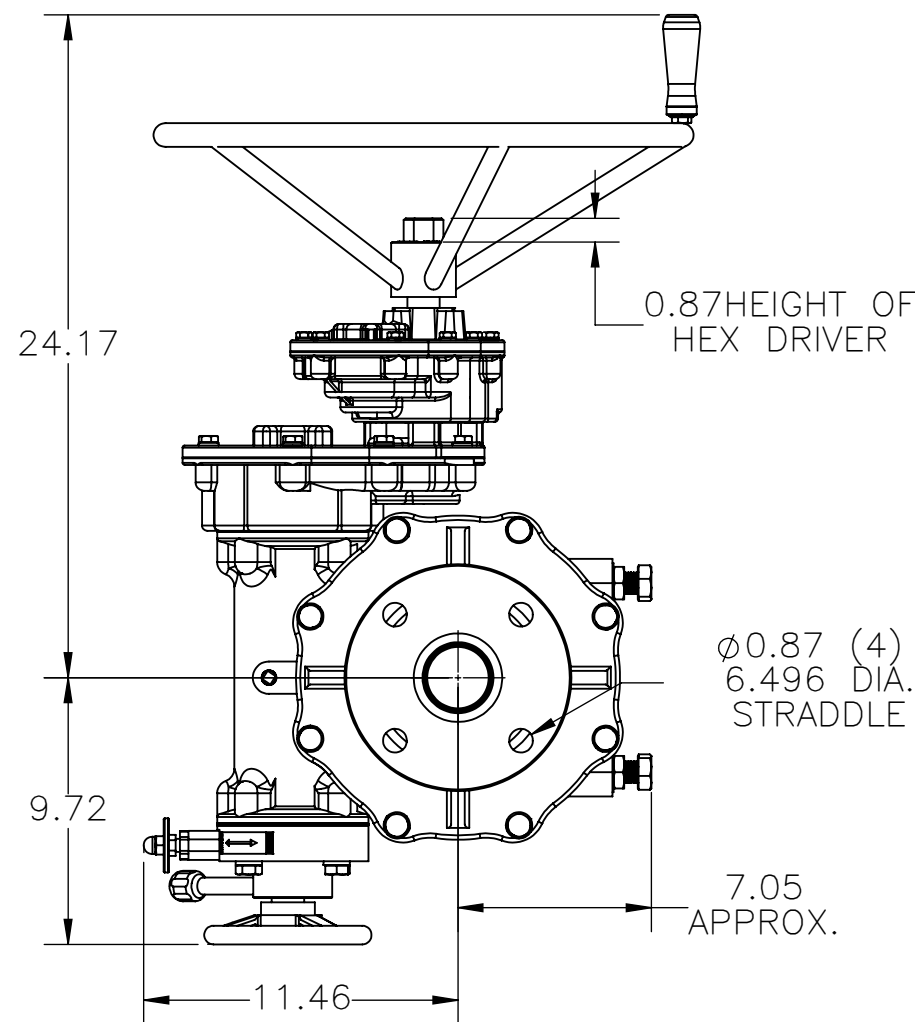


18X11MM KEYWAY  
ONE PLACE SHOWN IN THE  
FULL CLOCKWISE POSITION  
WHEN VIEWED FROM ACTUATOR SIDE.  
MAY BE MOVED IN 90 DEGREE INCREMENTS.

SEE DRAWING M04274 OR TAG ON DECLUTCH PIN FOR BASIC OPERATING INSTRUCTIONS.  
FOR DETAILED OPERATING INSTRUCTIONS SEE IOM08183.

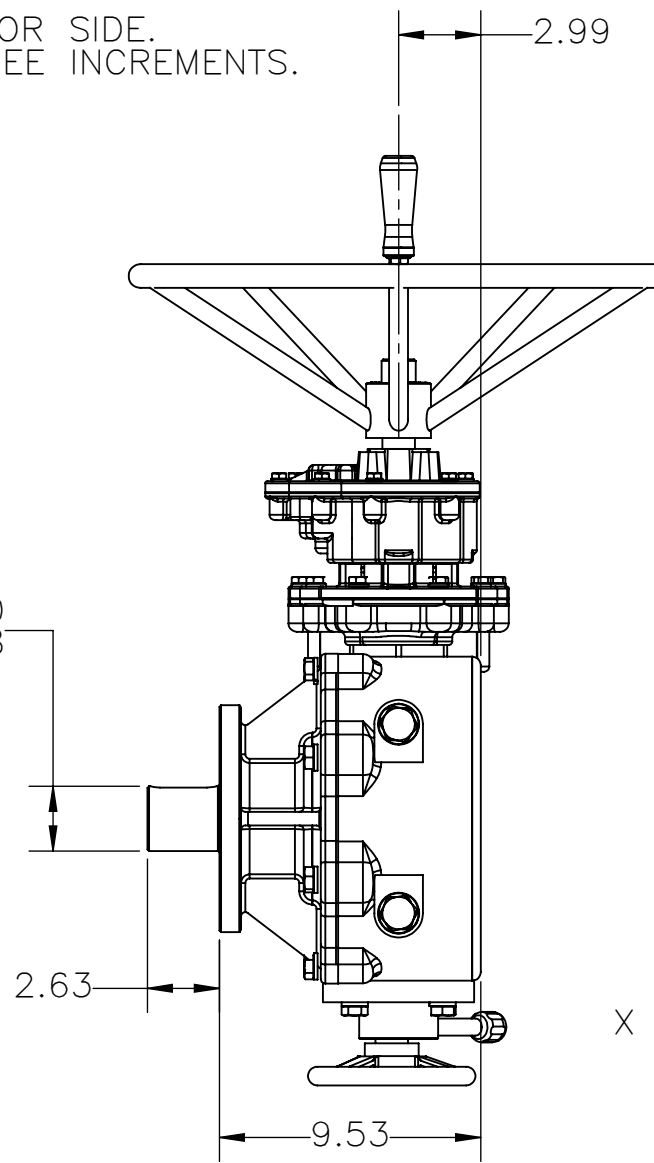
TURN HANDWHEEL CLOCKWISE FOR CLOCKWISE OUTPUT SHAFT ROTATION WHEN VIEWED FROM ACTUATOR SIDE



0.87 HEIGHT OF  
HEX DRIVER

7.05  
APPROX.

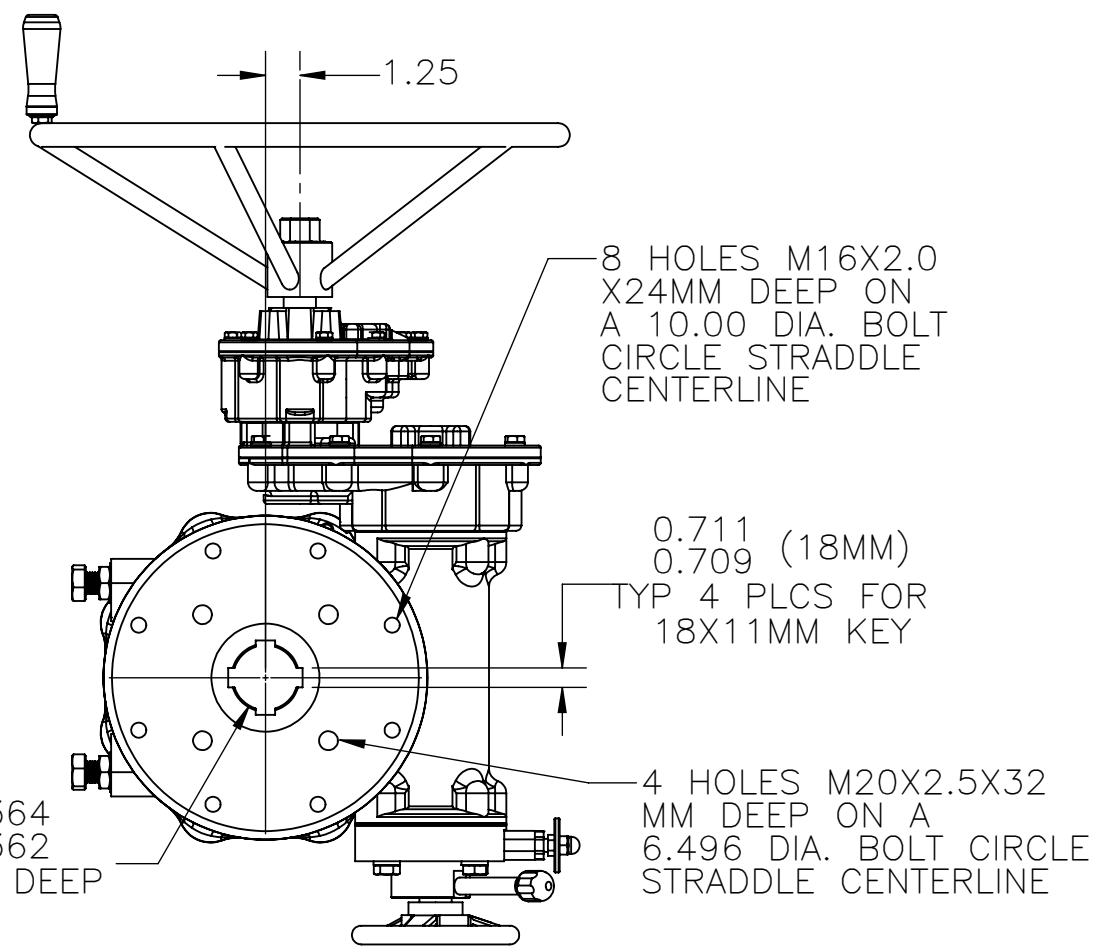
Ø0.87 (4) HOLES ON A  
6.496 DIA. BOLT CIRCLE  
STRADDLE CENTERLINE



Ø2.360  
Ø2.358

2.63

9.53



8 HOLES M16X2.0  
X24MM DEEP ON  
A 10.00 DIA. BOLT  
CIRCLE STRADDLE  
CENTERLINE

0.711 (18MM)  
0.709 (18MM)  
TYP 4 PLCS FOR  
18X11MM KEY

4 HOLES M20X2.5X32  
MM DEEP ON A  
6.496 DIA. BOLT CIRCLE  
STRADDLE CENTERLINE



9955 INTERNATIONAL BLVD.  
CINCINNATI, OHIO 45246  
PHONE: (513) 247-5465  
FAX: (513) 247-5462

DRAWN BY CHS	CHECKED BY NPM	RELEASED BY NPM
DATE 01/11/23	DATE 01/16/23	DATE 01/16/23

**VALVES, ACTUATORS, AND AUTOMATION CONTROLS**

SHEET 1 of 1

DO NOT SCALE DRAWING



DESCRIPTION  
3DGO-S09B DIMENSIONAL DRAWING FOR CUSTOMER USE.

MATERIAL	
DRAWING NO. P04479	REVISION

THE DESIGN AND DISCLOSURE CONTAINED IN THIS DRAWING WAS ORIGINATED BY, AND IS EXCLUSIVE PROPERTY OF A-T CONTROLS, INC. IT IS FURNISHED FOR VENDOR INFORMATION ONLY AND IS NOT AN AUTHORIZATION OR LICENSE TO MAKE THIS CONSTRUCTION OR TO FURNISH THIS INFORMATION TO OTHERS. ALL DRAWINGS MUST BE RETURNED TO A-T CONTROLS, INC. ON DEMAND. THIS DRAWING IS NOT TO BE REPRODUCED OR COPIED IN ANY FORM WITHOUT THE EXPRESS WRITTEN PERMISSION OF A-T CONTROLS, INC.