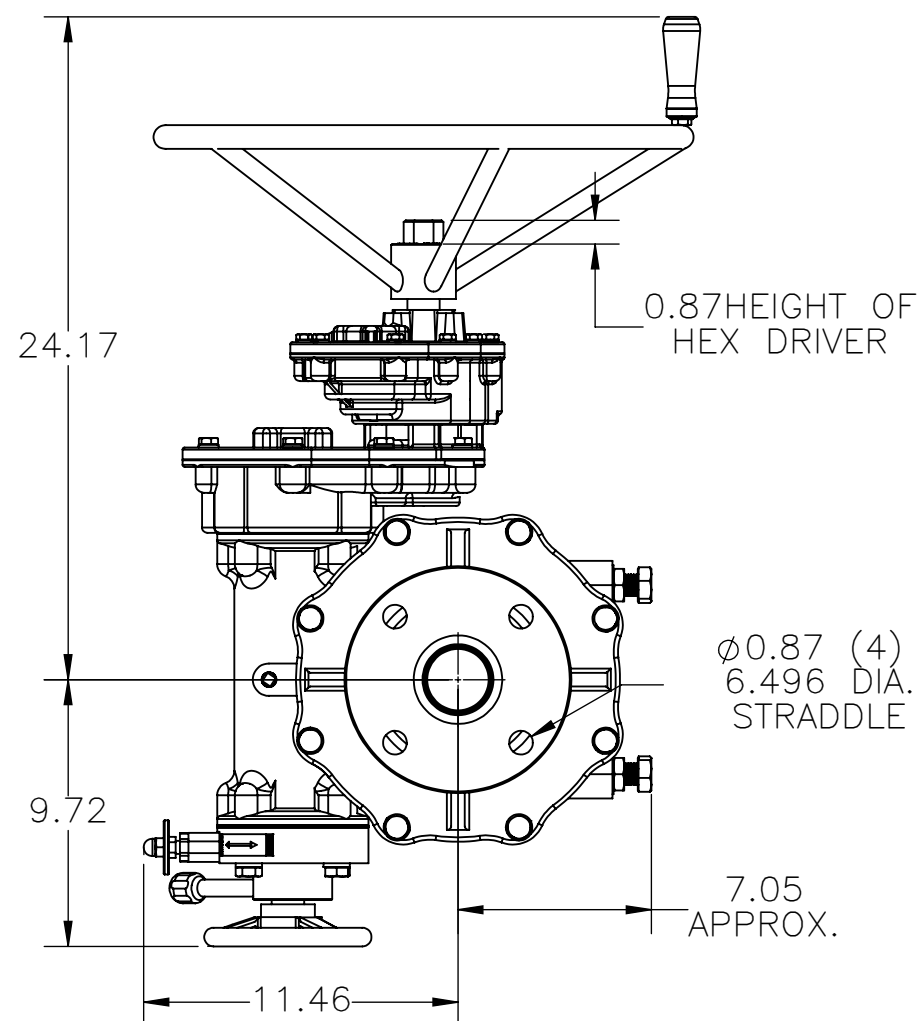


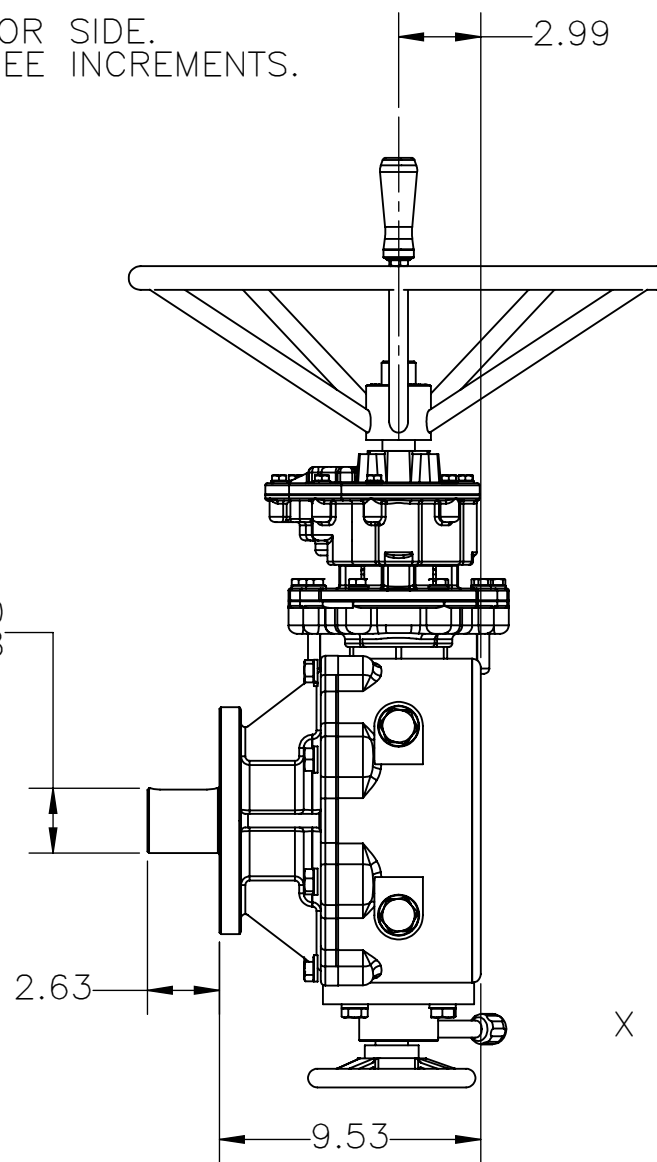
SEE DRAWING M04274 OR TAG ON DECLUTCH PIN FOR BASIC OPERATING INSTRUCTIONS.
FOR DETAILED OPERATING INSTRUCTIONS SEE IOM08183.

TURN HANDWHEEL CLOCKWISE FOR CLOCKWISE OUTPUT SHAFT ROTATION WHEN VIEWED
FROM ACTUATOR SIDE

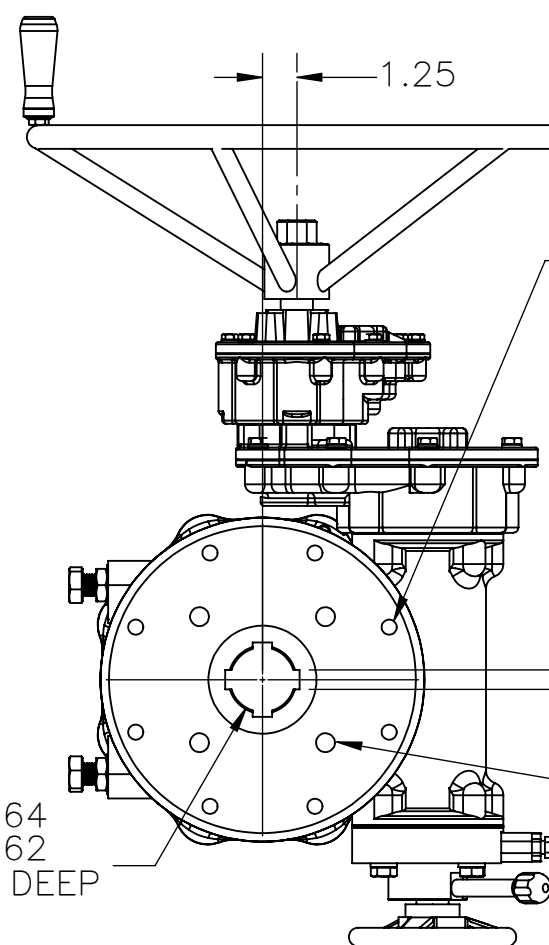
UNIT WEIGHS 223 LBS.



Ø0.87 (4) HOLES ON A
6.496 DIA. BOLT CIRCLE
STRADDLE CENTERLINE



Ø2.360
Ø2.358



8 HOLES M16X2.0
X24MM DEEP ON
A 10.00 DIA. BOLT
CIRCLE STRADDLE
CENTERLINE

0.711 (18MM)
0.709 (18MM)
TYP 4 PLCS FOR
18X11MM KEY

4 HOLES M20X2.5X32
MM DEEP ON A
6.496 DIA. BOLT CIRCLE
STRADDLE CENTERLINE



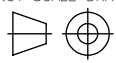
9955 INTERNATIONAL BLVD.
CINCINNATI, OHIO 45246
PHONE: (513) 247-5465
FAX: (513) 247-5462

DRAWN BY CHS	CHECKED BY KWT	RELEASED BY KWT
DATE 02/16/23	DATE 02/16/23	DATE 02/16/23

VALVES, ACTUATORS, AND AUTOMATION CONTROLS

SHEET 1 of 1

DO NOT SCALE DRAWING



DESCRIPTION
3DGO-S09B DIMENSIONAL DRAWING FOR CUSTOMER USE.

MATERIAL

DRAWING NO.

P04479

REVISION

A

THE DESIGN AND DISCLOSURE CONTAINED IN THIS DRAWING WAS ORIGINATED BY, AND IS EXCLUSIVE PROPERTY OF A-T CONTROLS, INC. IT IS FURNISHED FOR VENDOR INFORMATION ONLY AND IS NOT AN AUTHORIZATION OR LICENSE TO MAKE THIS CONSTRUCTION OR TO FURNISH THIS INFORMATION TO OTHERS. ALL DRAWINGS MUST BE RETURNED TO A-T CONTROLS, INC. ON DEMAND. THIS DRAWING IS NOT TO BE REPRODUCED OR COPIED IN ANY FORM WITHOUT THE EXPRESS WRITTEN PERMISSION OF A-T CONTROLS, INC.