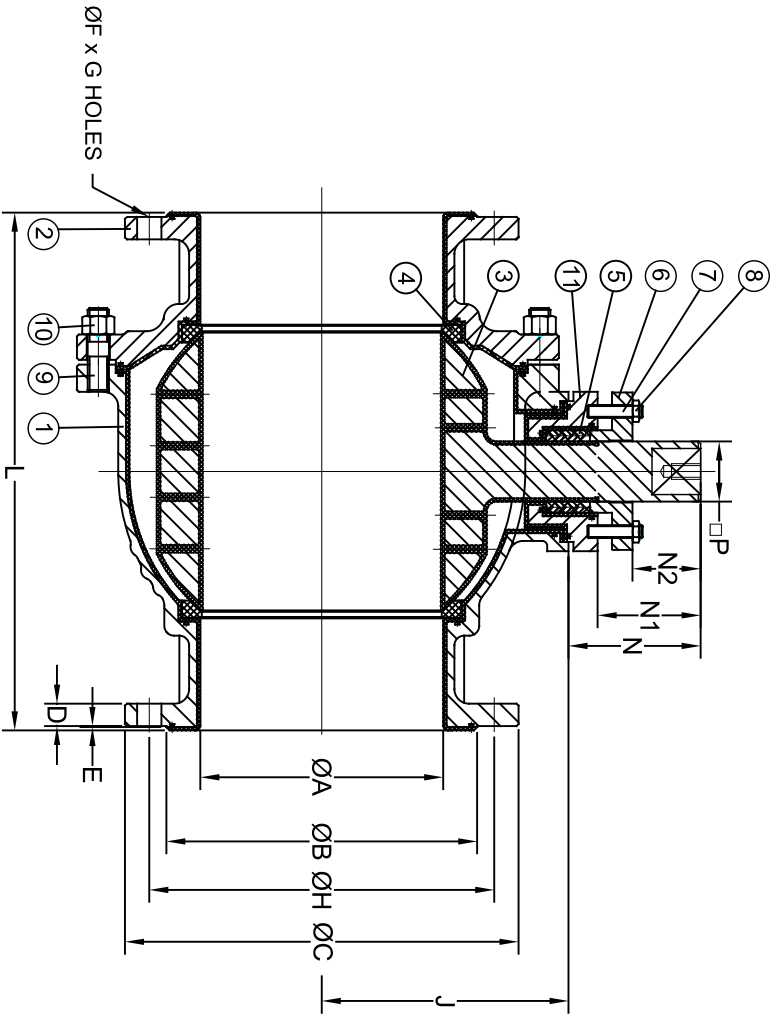


Series L2/L2C PFA Lined Ball Valve

6" and 8"



NO.	Part Name	QTY	Stainless Steel	Carbon Steel
1	BODY	1	ASTM A351 GRADE CF8M + PFA	ASTM A216 GRADE WCB + PFA
2	END CAP	1	ASTM A351 GRADE CF8M + PFA	ASTM A216 GRADE WCB + PFA
3	BALL/STEM	1	ASTM A351 GRADE CF8M/XM-19 + PFA	ASTM A351 GRADE CF8/XM-19 + PFA
4	SEAT	2		PTFE
5	PACKING	1SET		PTFE
6	Packing Gland	1	304SS	ASTM A216 GRADE WCB
7	PACKING GLAND BOLT	2	ASTM A193 GRADE B8	
8	PACKING GLAND NUT	2	ASTM A193 GRADE 8	
9	BODY STUD	*	ASTM A193 GRADE B8	
10	BODY STUD NUT	*	ASTM A193 GRADE 8	
11	GLAND	1	304SS	ASTM A216 GRADE WCB

*QTY 10 FOR 6"
*QTY 12 FOR 8"

Design & Features:

- *Pressure Rating : CF8M-19 Bar (275 PSIG) ; WCB-19.6 Bar (285 PSIG)
- * Valve Body & Cap is Investment Casting
- * Fully Conforms To ASME B16.34
- * Suitable for non-explosive-hazardous area only
- * Blow-off Proof Stem Design
- * One Piece Ball And Stem
- * Spark Test Standard : 20Kv For PFA Lining
- * PFA Lining Shall Be A Minimum Of 3mm Thick On Both Body And Ball Of Valve
- * Working Temperature Rating : PFA : -20 ~ 400 °F
- * Flange Dimensions According to ASME B16.5 CLASS 150 RF
- * Face to Face According to ASME B16.10 CLASS 150
- * Pressure / Temperature Rating According to ASME B16.34
- * Pressure Tested Accordance With API 598:
- Shell Test : CF8M-425 PSIG; WCB-450 PSIG
- Low Pressure Seat Closure : 6 Bar (87 PSIG) WITH AIR

Size	ØA	ØB	ØC	D	E	ØF	G	H	J	L	N	N1	N2	ØP	ØS	T	ISO 5211	Weight (lbs)
6"	5.89	8.50	10.98	0.94	0.06	0.88	8	9.50	9.98	15.51	3.23	2.54	1.57	1.417	M16	5.512	F14	194
8"	7.87	10.62	13.50	1.06	0.06	0.88	8	11.75	12.7	17.99	4.00	3.01	1.57	1.417	M16	9.380	N/A	299.8

DIMENSIONS ARE IN INCHES UNLESS OTHERWISE NOTED

9955 INTERNATIONAL BLVD.
CINCINNATI, OHIO 45246
PHONE: (513) 247-5465
FAX: (513) 247-5462

DO NOT SCALE DRAWING

THE DESIGN AND DISCLOSURE CONTAINED IN THIS DRAWING WAS ORIGINATED BY, AND IS EXCLUSIVE PROPERTY OF, TRIAS CONTROLS, INC. IT IS HEREBY ADVISED THAT THE USER OF THIS DRAWING IS NOT TO BE RESPONSIBLE FOR ANY ERRORS OR OMISSIONS. ALL DIMENSIONS MUST BE REPRODUCED OR COPIED IN ANY FORM WITHOUT THE EXPRESS WRITTEN PERMISSION OF A-T CONTROLS, INC.

DESCRIPTION: 6" AND 8" SERIES L2/L2C DIMENSIONAL DRAWING

DRAWN BY	CMB	CHECKED BY	NPM	RELEASED BY	NPM
DATE	05/18/23	DATE	05/18/23	DATE	05/18/23

HEAT # _____ MATERIAL _____

DRAWING NO. **P04363** SHEET 1 of 1

REVISION **B**