



Liquid & Gas Approved Vent & Safety Shut-off Valve Assemblies




A-T Controls, Inc.

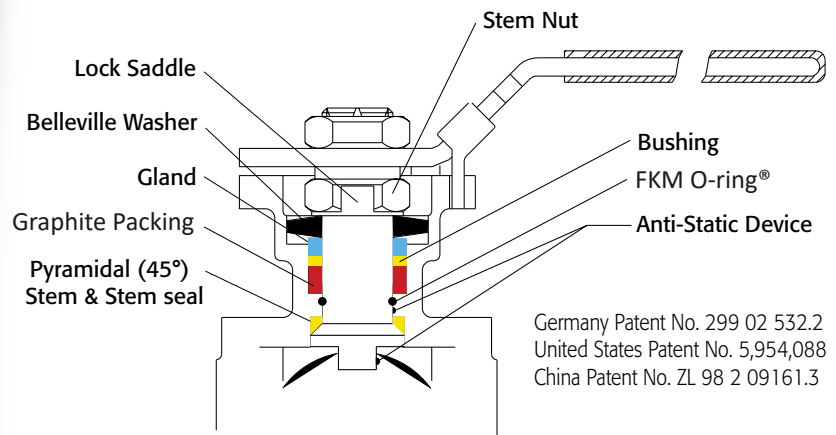
Valve assemblies for liquid & gas vent and safety shut-off

These assemblies are FM approved for use in applications requiring protection for fuel burning equipment per FM class 7400, 7412, 7420 and 7422. The components include a spring return automated ball valve, explosion-proof limit switch and solenoid pilot valve. Valves are available in 3-piece or flanged design. The 3-piece design offers threaded, socket weld or butt weld end connections. Flanged valves are available in ASME Class 150 and 300. Available in sizes 1/4" - 6". Assemblies feature the latest in quarter-turn automation, rack and pinion actuator. The actuator, combined with the superior valve seating and stem seal design, provides for reliable and consistent closure and venting when needed. These assemblies provide for a compact fuel gas safety shut-off or venting system.



Valve Assemblies for Liquid & Gas Vent & Safety Shut-off Requirements

- 316 SST or WCB valves
- 3-piece and flanged valves
- Manual safety cocks and automated safety shut-off valves
- Solenoid approved for waterproof and explosion-proof environments
- Ball valves feature pyramidal stem seal system



Germany Patent No. 299 02 532.2
United States Patent No. 5,954,088
China Patent No. ZL 98 2 09161.3



Supervisory Cocks

Vent and Safety Shut-off

Specifications

Maximum Operating Pressure

Size	Series	Body Material	PSI @ 100F
1/4"-1-1/2"	8C or F88C	WCB	1480
2"	8C or F88C	WCB	986
2-1/2"	8C or F88C	WCB	986
3"	8C or F88C	WCB	740
4"	8C or F88C	WCB	600
1/4"-1-1/2"	8S, F88, 8O, or 88O	CF8M	1440
2"	8S, F88, 8O, or 88O	CF8M	960
2-1/2"	8S, F88, 8O, or 88O	CF8M	960
3"	8S, F88, 8O, or 88O	CF8M	720
4"	8S, F88, 8O, or 88O	CF8M	600
1/2"-6"	9C or FD9C (ASME CLASS 150)	WCB	285
1/2"-6"	9C or FD9C (ASME CLASS 300)	WCB	740
1/2"-6"	9S, FD9, 9O, D9O (ASME CLASS 150)	CF8M	275
1/2"-6"	9S, FD9, 9O, D9O (ASME CLASS 300)	CF8M	720
4"- 8"*	P1FC (ASME CLASS 150)	WCB	285
4"- 8"*	P1F (ASME CLASS 150)	CF8M	275

NOTE: ANY DEVIATIONS FROM STANDARD FM ASSEMBLY OFFERINGS IN THE PRICE BOOK OR LITERATURE WILL VOID THE FM APPROVAL.

Switch Ratings (Amps)

Switch Ratings (Amps unless noted; see limit switch brochure for full ratings)					
	"APL-510N (2-SPDT)"	"APL-514N (2-DPDT)"	"APL-530N (2-SPST Prox)"	APL-516N (2-SPDT, TRANSMITTER)	APL-512N (4-SPDT)
125VAC	16	20	0.4	16	16
250VAC	16	20	-	16	16
30VDC	10	1	-	10	10
125VDC	0.6	1HP	-	0.6	0.6

Flow Data (Cv)

Size	8C/8S/8O/F88C/F88/88O	9C/9S/9O/FD9C/FD9/D9O	P1FC/F1F
1/4"	7	N/A	N/A
3/8"	8	N/A	N/A
1/2"	15	15	N/A
3/4"	40	45	N/A
1"	70	85	N/A
1-1/4"	110	N/A	N/A
1-1/2"	250	275	N/A
2"	430	460	N/A
2-1/2"	600	700	N/A
3"	1100	1100	N/A
4"	2000	2200	440
6"	N/A	N/A	900
8"	N/A	N/A	1900

How To Order - SS & SV Series (Maximum 5 seconds Fail Condition)

Safety Shut-off Assemblies

SS- _ _ _ - _ - _ _ _ - _ _

1 2 3 4 5 6 7 8

Vent Assemblies

SV- _ _ _ - _ - _ _ _ - _ _

1 2 3 4 5 6 7 8

1 Valve Series

- 8C** F88C Series, Firesafe, NACE, 3-piece, ASME B16.34 fully conformant, Full Port, Direct Mount, Carbon Steel Body (Sizes 1/4" - 4" NPT, Socket Weld, Butt Weld)
- 8S** F88 Series, Firesafe, NACE, 3-piece, ASME B16.34 fully conformant, Full Port, Direct Mount, Stainless Steel Body (Sizes 1/4" - 4" NPT, Socket Weld, Butt Weld)
- 8O** 88 Series, 3-piece, ASME B16.34 fully conformant, Full Port, Direct Mount, Stainless Steel Body, Oxygen Cleaned and bagged (Sizes 1/4" - 4" NPT, Socket Weld, Butt Weld)
- 9C** FD9C Series, Firesafe, NACE, Flanged, Full Port, Direct Mount, Carbon Steel Body (Sizes 1/2" - 6" ASME Class 150 and ASME Class 300 Flange)
- 9S** FD9 Series, Firesafe, NACE, Flanged, Full Port, Direct Mount, Stainless Steel Body (Sizes 1/2" - 6" ASME Class 150 and ASME Class 300 Flange)
- 9O** D9 Series, Flanged, Full Port, Direct Mount, Stainless Steel Body, Oxygen Cleaned and bagged (Sizes 1/2" - 6" ASME Class 150 and ASME Class 300)
- P1FC** P1FC Series HPBFV, Firesafe, Carbon Steel Body (Sizes 4" - 8" Lug and Wafer Style Class 150)
- P1F** P1F Series HPBFV, Firesafe, Stainless Steel Body (Sizes 4" - 8" Lug and Wafer Style Class 150)

2 End Connection

- T** NPT Connection
- S** Socket Weld
- B** Butt Weld
- F** ASME Class 150 Flange
- 3** ASME Class 300 Flange
- L** Lug Style Class 150
- W** Wafer Style Class 150

3 Seat Material

- X** Valve Series Standard
- T** TFM™-1600

4 Valve Size

0025	1/4"	0150	1-1/2"	0800	8"
0038	3/8"	0200	2"		
0050	1/2"	0250	2-1/2"		
0075	3/4"	0300	3"		
0100	1"	0400	4"		
0125	1-1/4"	0600	6"		

5 Actuator - Pneumatic-Fail Closed (SS) Pneumatic-Fail Open (SV)

- A** 60 PSIG air supply available -5 °F to 175 °F
- B** 80 PSIG air supply available -5 °F to 175 °F
- C** Low Temperature 60 psig available -45 °F to 175 °F
- D** Low Temperature 80 psig available -45 °F to 175 °F

6 Solenoid

- A** 120 VAC Stainless Solenoid (ASCO 8362A101H181GFO) 10.1W -4 °F to 125 °F
- B** 24 VDC Low Power Stainless Solenoid (ASCO 8362A101H181CF1) 1.4W -4 °F to 131 °F
- C** 120 VAC Low Temperature SST Solenoid (ASCO 8362A101H183GFO) 10.1W -40 °F to 125 °F
- D** 24 VDC Low Power Low Temperature SST Solenoid (ASCO 8362A101H183CF1) 1.4W -40 °F to 140 °F

7 Proof of Closure Limit Switch

- A** APL-510N Type 4X/6, IP 66/67, CSA approved (see limit switch literature for full detail on ratings), (2) SPDT Mechanical, 0.6 amp @ 125 VDC -4 °F to 140 °F
- E** APL-514N Type 4X/6, IP 66/67, CSA approved (see limit switch literature for full detail on ratings), (2) DPDT Mechanical, 1 amp @ 125 VDC -13 °F to 140 °F
- D** APL-530N Type 4X/6, IP 66/67, CSA approved (see limit switch literature for full ratings) (2) SPDT Proximity, 1 amp @ 24VDC -40 °F to 140 °F
- T** APL-516N Type 4X/6, IP 66/67, CSA approved (see limit switch literature for full ratings), (2) SPDT Mechanical, 0.6 amp @ 125 VDC, 4-20 mA position transmitter -4 °F to 140 °F
- S** APL-512N Type 4X/6, IP 66/67, CSA approved (see limit switch literature for full detail on ratings), (4) SPDT Mechanical, 0.6 amp @ 125 VDC -4 °F to 140 °F

8 Orientation

- X** Standard Mount (Parallel to flow, as shown in catalog)
- 1** 90° Clockwise from Standard Mount
- 2** 180° Clockwise from Standard Mount
- 3** 270° Clockwise from Standard Mount

How To Order - SC Series

Manual Safety Cocks Assemblies

SC- _ _ _ - _ - _

1 2 3 4 5

1 Valve Series

- 8C** F88C Series, Firesafe, NACE, 3-piece, Full Port, Direct Mount, Carbon Steel Body
- 8S** F88 Series, Firesafe, NACE, 3-piece, Full Port, Direct Mount, Stainless Steel Body
- 9C** FD9C Series, Firesafe, NACE, Flanged, Full Port, Direct Mount, Carbon Steel Body
- 9S** FD9 Series, Firesafe, NACE, Flanged, Full Port, Direct Mount, Stainless Steel Body
- 9O** D9 Series, Flanged, Full Port, Direct Mount, Stainless Steel Body, Oxygen Cleaned and bagged

2 Ends

- T** NPT Connection
- S** Socket Weld
- B** Butt Weld
- F** ASME Class 150
- 3** ASME Class 300

3 Seat Material

- X** Reinforced TFE

4 Valve Size

025	1/4"	150	1-1/2"
038	3/8"	200	2"
050	1/2"	250	2-1/2"
075	3/4"	300	3"
100	1"	400	4"
125	1-1/4"	600	6"

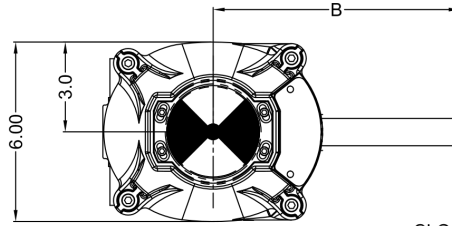
5 Proof of Closure Limit Switch

- A** EX10A2SBKN Nema 4, 4X, 7 and 9, 2-SPDT Mechanical, 5 amp @ 125 VAC
- E** EX10E2SBKN Nema 4, 4X, 7 and 9, 2-DPDT Mechanical, 5 amp @ 120 VAC
- D** EX11D2SBKN Nema 4, 4X, 7 and 9, 2-SPDT Proximity, 1 amp @ 120 VAC
- T** EX11TA2SBKN Nema 4, 4X, 7 and 9, 2-SPDT Mechanical, 5 amp @ 125 VAC, 4-20 mA position transmitter

Manual Safety Cocks (SC Series) ASME Class 150 & 300 Flanged

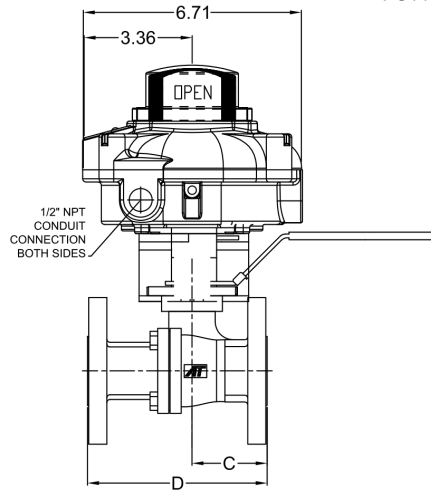
ASME Class 150

Valve Size	A	B	C	D
1/2"	11.23	6.90	1.84	4.26
3/4"	11.41	6.90	2.18	4.62
1"	11.63	6.90	2.21	5.00
1-1/2"	13.80	10.50	2.83	6.50
2"	14.12	10.50	3.38	7.02

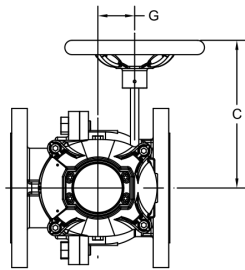
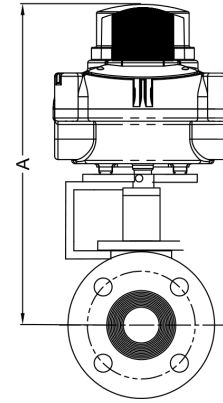


ASME Class 300

Valve Size	A	B	C	D
1/2"	10.36	6.80	2.32	5.50
3/4"	10.94	6.80	2.59	6.00
1"	10.94	6.80	2.78	6.50
1-1/2"	12.95	10.31	3.13	7.50
2"	13.24	10.31	3.81	8.50



CLOSED SWITCH (TOP CAM)
POTTED IN PLACE NOT FIELD
ADJUSTABLE

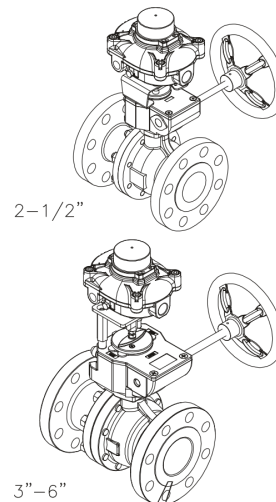
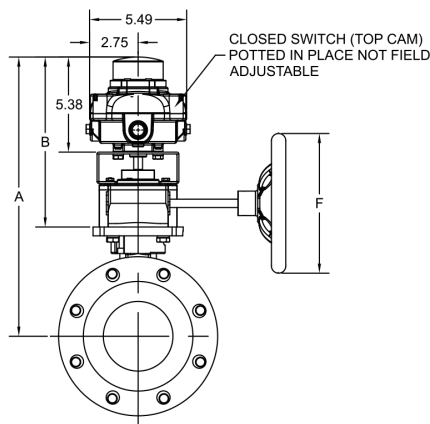
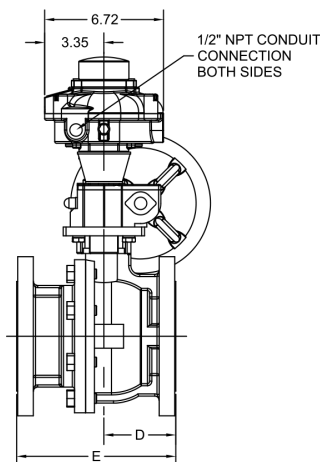


ASME Class 150

Valve Size	GEAR	A	B	C	D	E	F	G
2-1/2"	Q400-4	14.12	9.55	7.12	3.06	7.50	3.94	2.07
3"	Q800-8	17.25	12.01	10.06	4.01	8.00	7.90	2.71
4"	Q800-8	18.19	12.01	10.06	4.07	9.00	7.90	2.71
6"	Q800-12	18.38	10.10	10.73	7.00	15.50	11.81	2.71

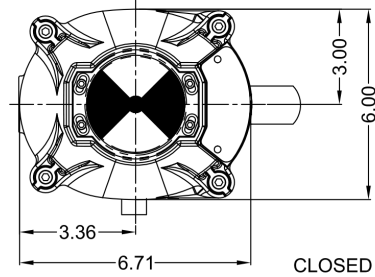
ASME Class 300

Valve Size	GEAR	A	B	C	D	E	F	G
2-1/2"	Q400-4	14.12	9.55	7.12	4.20	9.50	3.94	2.07
3"	Q800-8	17.25	12.03	10.06	5.10	11.12	7.90	2.71
4"	Q800-8	18.21	12.03	10.06	5.50	12.00	7.90	2.71
6"	Q800-12	18.38	10.10	10.73	7.30	15.87	11.81	2.71

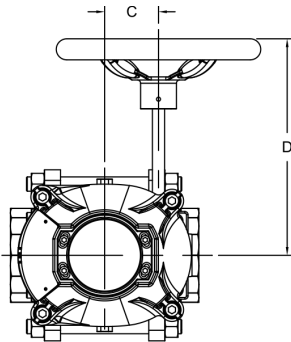
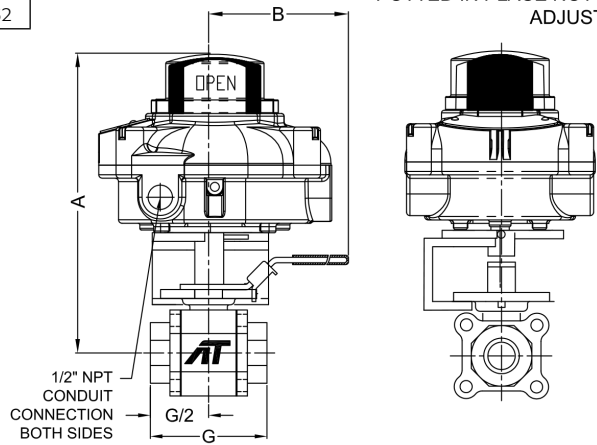
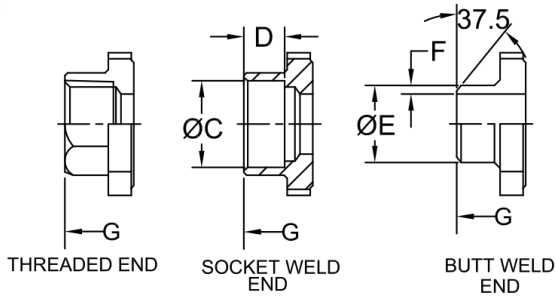


Manual Safety Cocks (SC Series) 3-piece

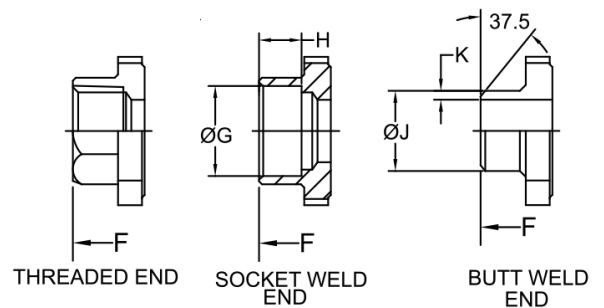
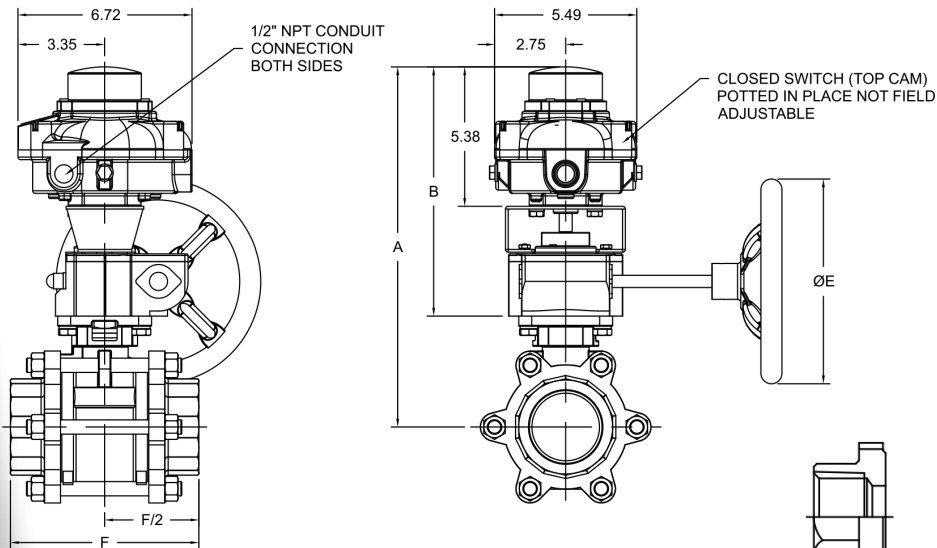
Valve Size	A	B	C	D	E	F	G
1/4"	9.67	5.47	0.55	0.39	0.85	0.13	2.95
3/8"	9.67	5.47	0.69	0.39	0.85	0.13	2.95
1/2"	9.67	5.47	0.85	0.39	0.85	0.06	2.85
3/4"	9.84	5.47	1.07	0.51	1.07	0.06	3.36
1"	10.25	6.50	1.34	0.51	1.34	0.06	4.15
1-1/4"	10.38	6.50	1.69	0.51	1.68	0.06	4.37
1-1/2"	10.95	8.46	1.92	0.51	1.91	0.06	5.01
2"	11.26	8.46	2.40	0.63	2.38	0.06	5.62



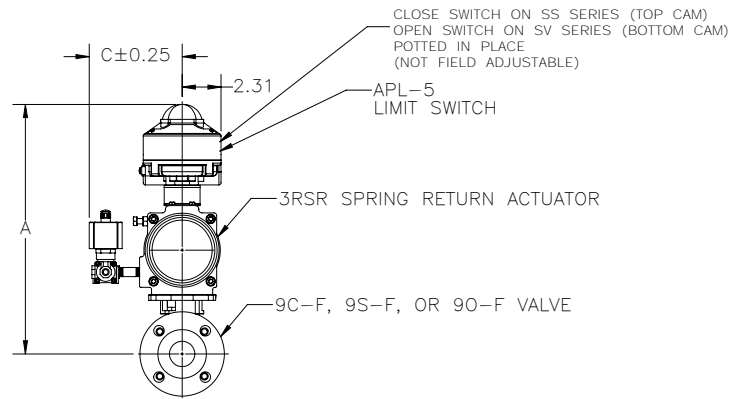
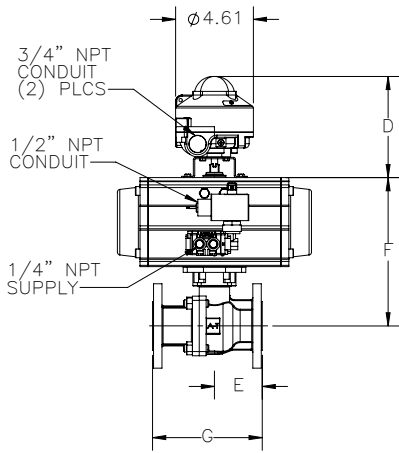
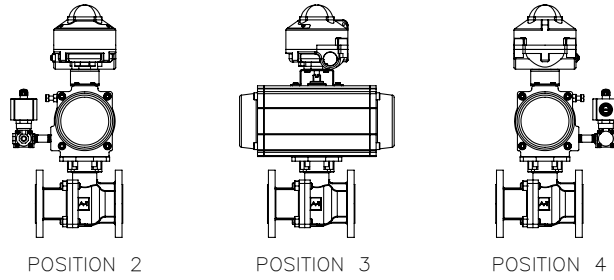
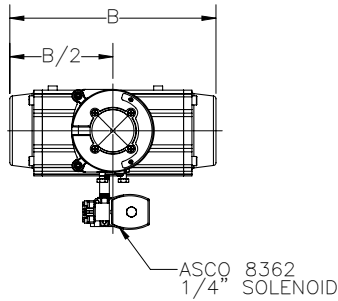
CLOSED SWITCH (TOP CAM)
POTTED IN PLACE NOT FIELD
ADJUSTABLE



Valve Size	GEAR	A	B	C	D	E	F	G	H	J	K
2-1/2"	Q400-4	13.83	9.55	2.07	7.12	3.94	7.28	2.89	0.63	3.00	0.06
3"	Q400-4	14.18	9.55	2.07	7.12	3.94	8.07	3.54	0.63	3.54	0.06
4"	Q400-6	14.81	9.55	2.07	7.28	6.30	9.45	4.54	0.79	4.57	0.06



SS Series & SV Series Gas Vent & Safety Shut-off Assemblies ASME Class 150 & 300 Flanged



ASME Class 150

60 PSI Air Supply

ASME Class 150

80 PSI Air Supply

Valve Size	Actuator (SR4 for SS) (SO4 for SV)	NPT Air Supply Actuator	A	B	C	D	E	F	G
1/2"	3R80	1/4"	11.29	9.29	5.23	5.99	1.84	5.30	4.26
3/4"	3R80	1/4"	11.47	9.29	5.23	5.99	2.18	5.48	4.62
1"	3R80	1/4"	11.76	9.29	5.23	5.99	2.21	5.77	5.00
1-1/2"	3R200	1/4"	14.78	11.50	5.51	5.99	2.83	8.79	6.50
2"	3R300	1/4"	15.93	13.39	5.92	5.99	3.38	9.94	7.02
2-1/2"	3R300	1/4"	16.70	13.39	5.92	5.99	3.06	10.71	7.48
3"	3R500	1/4"	18.43	15.35	6.02	6.40	4.01	12.03	8.01
4"	3R850	1/4"	20.39	19.37	6.41	6.40	4.07	13.99	9.00
6"	3R1750	1/4"	24.76	23.54	7.44	6.40	7.00	18.36	15.50

Valve Size	Actuator (SR for SS) (SO for SV)	NPT Air Supply Actuator	A	B	C	D	E	F	G
1/2"	3R40	1/4"	11.47	9.29	5.23	5.99	1.84	5.48	4.26
3/4"	3R80	1/4"	12.31	9.29	5.23	5.99	2.18	6.32	4.62
1"	3R80	1/4"	12.60	9.29	5.23	5.99	2.21	6.61	5.00
1-1/2"	3R200	1/4"	14.78	11.50	5.51	5.99	2.83	8.79	6.50
2"	3R200	1/4"	15.07	11.50	5.51	5.99	3.38	9.08	7.02
2-1/2"	3R300	1/4"	16.70	13.39	5.92	5.99	3.06	10.71	7.48
3"	3R500	1/4"	18.43	15.35	6.02	6.40	4.01	12.03	8.01
4"	3R700	1/4"	19.94	16.89	6.18	6.40	4.07	13.54	9.00
6"	3R1200	1/4"	23.74	22.13	7.04	6.40	7.00	17.34	15.50

ASME Class 300

60 PSI Air Supply

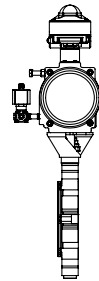
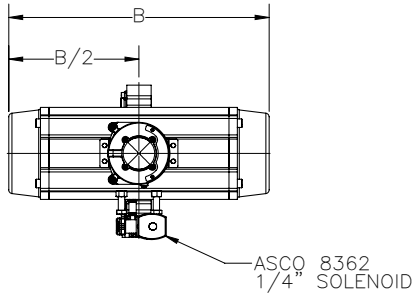
ASME Class 300

80 PSI Air Supply

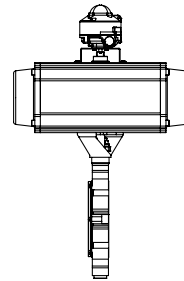
Valve Size	Actuator (SR4 for SS) (SO4 for SV)	NPT Air Supply Actuator	A	B	C	D	E	F	G
1/2"	3R80	1/4"	12.21	9.29	5.23	5.99	2.32	6.22	5.50
3/4"	3R80	1/4"	12.79	9.29	5.23	5.99	2.59	6.80	6.00
1"	3R80	1/4"	12.80	9.29	5.23	5.99	2.78	6.80	6.50
1-1/2"	3R300	1/4"	15.64	13.39	5.92	5.99	3.13	9.65	7.50
2"	3R300	1/4"	15.93	13.39	5.92	5.99	3.81	9.94	8.50
2-1/2"	3R500	1/4"	17.37	15.35	6.02	5.99	4.20	11.38	9.50
3"	3R700	1/4"	18.98	19.37	6.18	6.40	5.10	12.58	11.12
4"	3R1000	1/4"	21.04	19.15	6.73	6.40	5.50	14.64	12.00
6"	3R1750	1/4"	24.76	23.54	7.44	6.40	7.30	18.36	15.87

Valve Size	Actuator (SR for SS) (SO for SV)	NPT Air Supply Actuator	A	B	C	D	E	F	G
1/2"	3R80	1/4"	12.21	9.29	5.23	5.99	2.32	6.22	5.50
3/4"	3R80	1/4"	12.79	9.29	5.23	5.99	2.59	6.80	6.00
1"	3R80	1/4"	12.79	9.29	5.23	5.99	2.78	6.80	6.50
1-1/2"	3R200	1/4"	14.78	11.50	5.51	5.99	3.13	8.79	7.50
2"	3R200	1/4"	15.07	11.50	5.51	5.99	3.81	9.08	8.50
2-1/2"	3R300	1/4"	16.70	13.39	5.92	5.99	4.20	10.71	9.50
3"	3R500	1/4"	18.43	15.35	6.02	6.40	5.10	12.03	11.12
4"	3R850	1/4"	20.39	19.37	6.41	6.40	5.50	13.99	12.00
6"	3R1200	1/4"	23.74	22.13	7.04	6.40	7.30	17.34	15.87

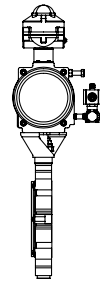
SS Series & SV Series Gas Vent & Safety Shut-off Assemblies P1F Series Lug Style ASME Class 150 4" - 8"



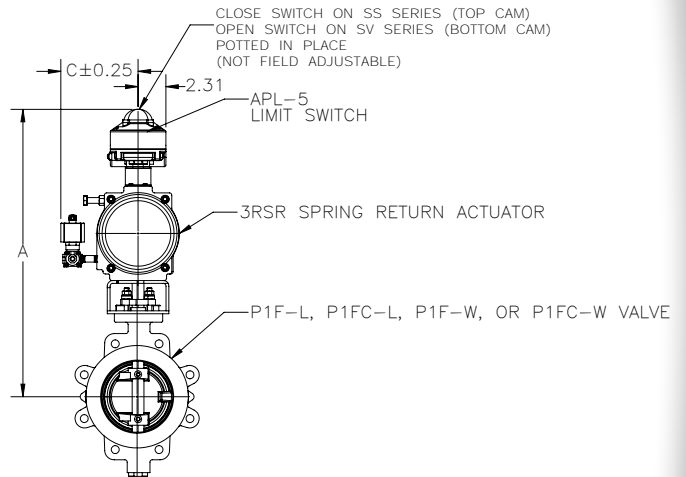
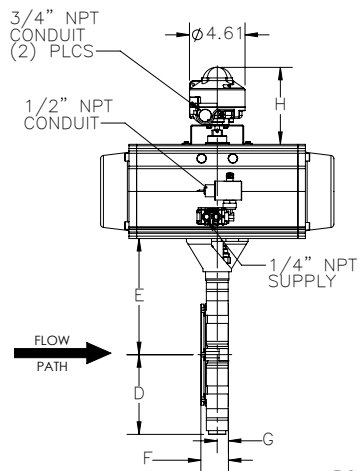
POSITION 2



POSITION 3



POSITION 4



POSITION 1 IS SHOWN. LUG STYLE VALVE SHOWN.

ASME Class 150

80 PSI Air Supply

Valve Size	Actuator (SR for SS) (SO for SV)	NPT Air Supply	A	B	C	D	E	F	G	H
4"	3R300	1/4"	20.60	13.39	5.92	5.31	8.47	2.13	0.87	5.99
6"	3R700	1/4"	23.41	16.89	6.18	6.61	9.65	2.24	0.94	6.40
8"	3R1750	1/4"	27.11	23.54	7.44	7.68	10.63	2.52	1.06	6.40

ASME Class 150

60 PSI Air Supply

Valve Size	Actuator (SR4 for SS) (SO4 for SV)	NPT Air Supply	A	B	C	D	E	F	G	H
4"	3R500	1/4"	21.68	15.35	6.02	5.31	8.47	2.13	0.87	6.40
6"	3R850	1/4"	23.87	19.37	6.41	6.38	9.65	2.24	0.94	6.40
8"	3R1750	1/4"	27.11	23.54	7.44	6.61	10.63	2.52	1.06	6.40

How-To-Order SS1 & SV1 Series (Maximum 1 second Fail Condition)

1	Prefix
SS1	Safety Shutoff Assembly 1 Second Closure
SV1	Safety Vent Assembly 1 Second Venting

2	Valve Series
F88C	F88C Series, Firesafe, NACE, 3-piece, Full Port, Direct Mount, Carbon Steel Body (Sizes 1/4"-2")
F88	F88 Series, Firesafe, NACE, 3-piece, Full Port, Direct Mount, Stainless Steel Body (Sizes 1/4"-2")
88O	88 Series, 3-piece, Full Port, Direct Mount, Stainless Steel Body, Oxygen Cleaned and bagged (Sizes 1/4" -2")
FD9C	FD9C Series, Firesafe, NACE, Flanged, Full Port, Direct Mount, Carbon Steel Body (Sizes 1/2"-4" Class 150 and Class 300)
FD9	FD9 Series, Firesafe, NACE, Flanged, Full Port, Direct Mount, Stainless Steel Body (Sizes 1/2"-4" Class 150 and Class 300)
D9O	D9 Series, Flanged, Full Port, Direct Mount, Stainless Steel Body, Oxygen Cleaned and bagged (Sizes 1/2"-4" Class 150 and Class 300)
P1FC	P1FC Series, Flanged, Lug Style, Firesafe, Carbon Steel Body (4"- 8" Class 150 Only)
P1F	P1F Series, Flanged, Lug Style, Firesafe, Stainless Steel Body (4"- 8" Class 150 Only)

3	End Connection
T	NPT Connection
S	Socket Weld
B	Butt Weld
F	ASME Class 150
3	ASME Class 300

4	Seat Material
X	Valve Series Standard
T	TFM™-1600

5	Valve Size
0025	1/4"
0038	3/8"
0050	1/2"
0075	3/4"
0100	1"
0125	1-1/4"
0150	1-1/2"
0200	2"
0250	2-1/2"
0300	3"
0400	4"
0600	6"*
0800	8"*

*6" and 8" Series P1F/P1FC assemblies are pending FM approval.

6	Actuator Supply Pressure - Fail Closed (SS Series) Fail Open (SV Series)
6	60 psig

7	Solenoid (size wil vary per assembly)
A	120 VAC Brass Solenoid
B	24 VDC Brass Solenoid
C	120 VAC SST Solenoid
D	24 VDC SST Solenoid

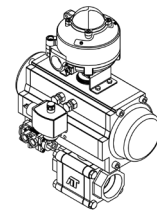
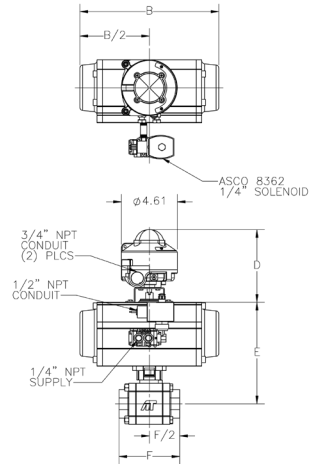
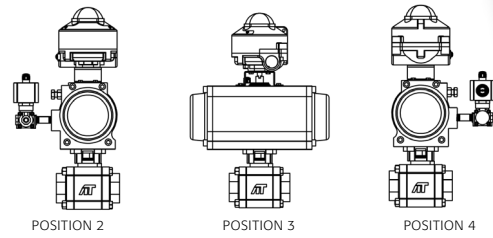
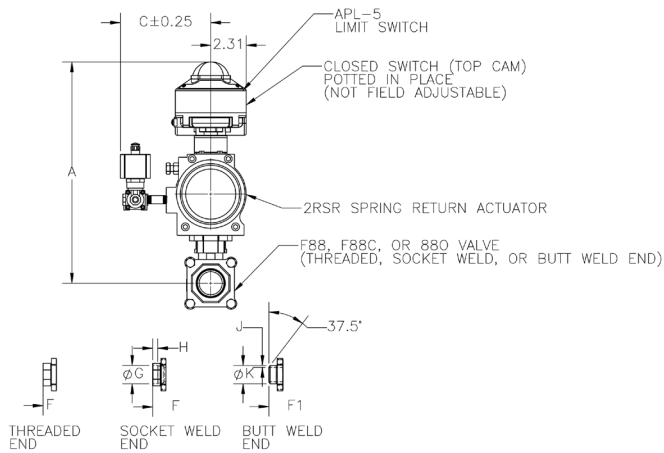
8	Proof of Closure Limit Switch
A	APL-510N Type 4X/6, IP 66/67, CSA approved (see limit switch literature for full detail on ratings), (2) SPDT Mechanical, 0.6 amp @ 125 VDC
E	APL-514N Type 4X/6, IP 66/67, CSA approved (see limit switch literature for full detail on ratings), (2) DPDT Mechanical, 1 amp @ 125 VDC
D	APL-530N Type 4X/6, IP 66/67, CSA approved (see limit switch literature for full detail on ratings) (2) SPST Proximity, 1 amp @ 24VDC
T	APL-516N Type 4X/6, IP 66/67, CSA approved (see limit switch literature for full detail on ratings), (2) SPDT Mechanical, 0.6 amp @ 125 VDC, 4-20 mA position transmitter
S	APL-512N Type 4X/6, IP 66/67, CSA approved (see limit switch literature for full detail on ratings), (4) SPDT Mechanical, 0.6 amp @ 125 VDC

9	Orientation
X	Standard Mount (Parallel to flow, as shown in catalog)
1	90° Clockwise from Standard Mount
2	180° Clockwise from Standard Mount
3	270° Clockwise from Standard Mount

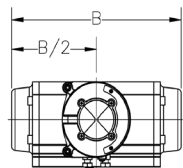
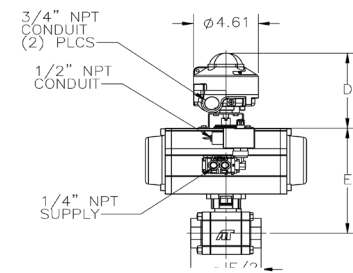
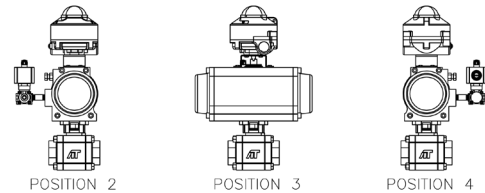
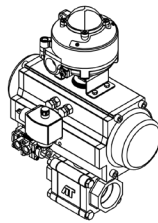
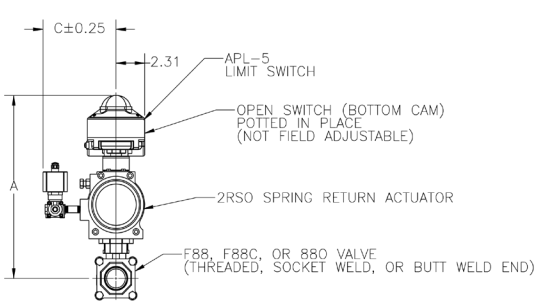
HOW TO ORDER SS1/ SV1 Example												
1	-	2	3	4	-	5	-	6	7	8	-	9
↓		↓	↓	↓		↓		↓	↓	↓		↓
SS1	-	F88C	T	T	-	O150	-	6	A	A	-	X

SS1 Series & SV1 Series Gas Vent & Safety Shut-off Assemblies 3-piece 1/4" - 1-1/2"

SS1 Series

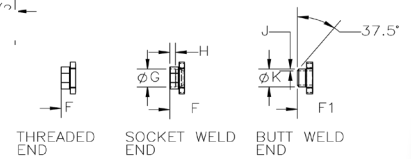


SV1 Series



ASCO 8362 1/4" SOLENOID

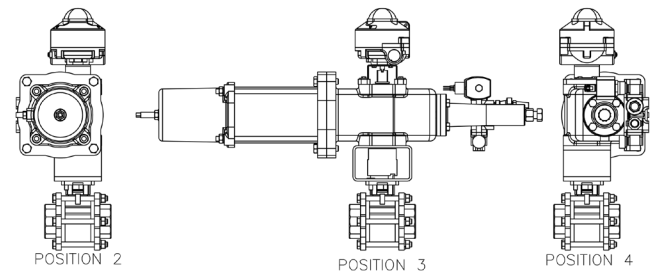
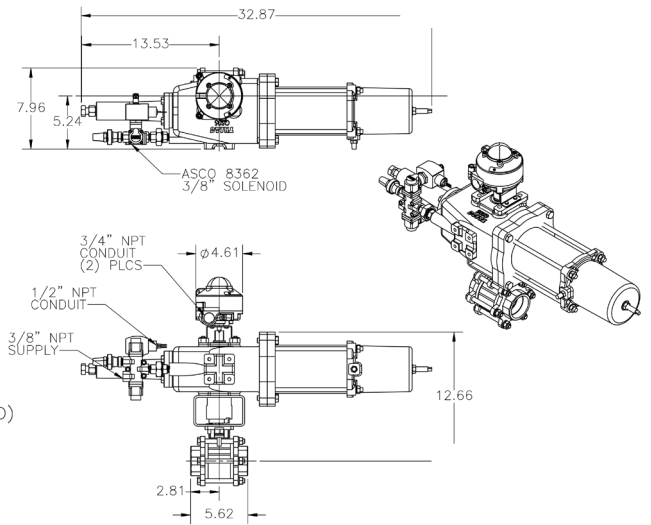
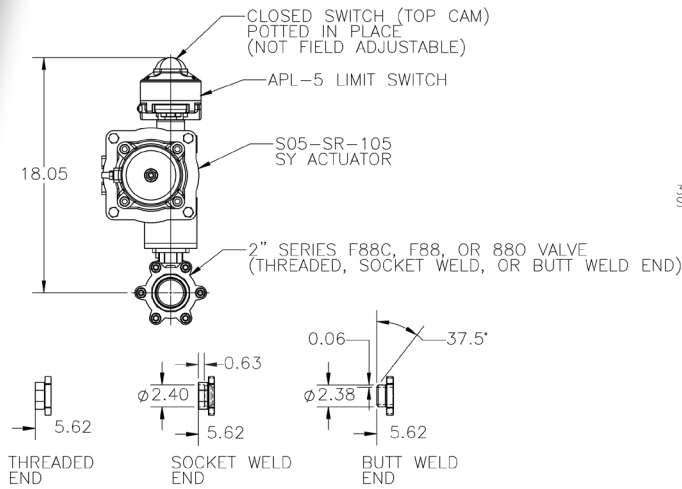
POSITION 1 IS SHOWN.



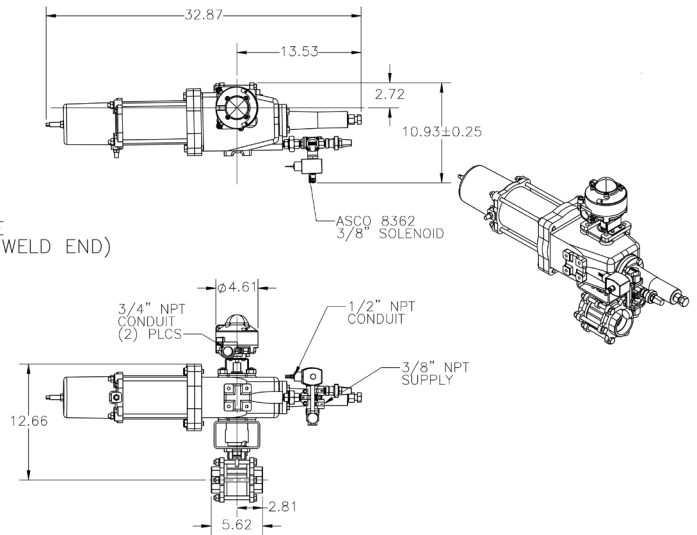
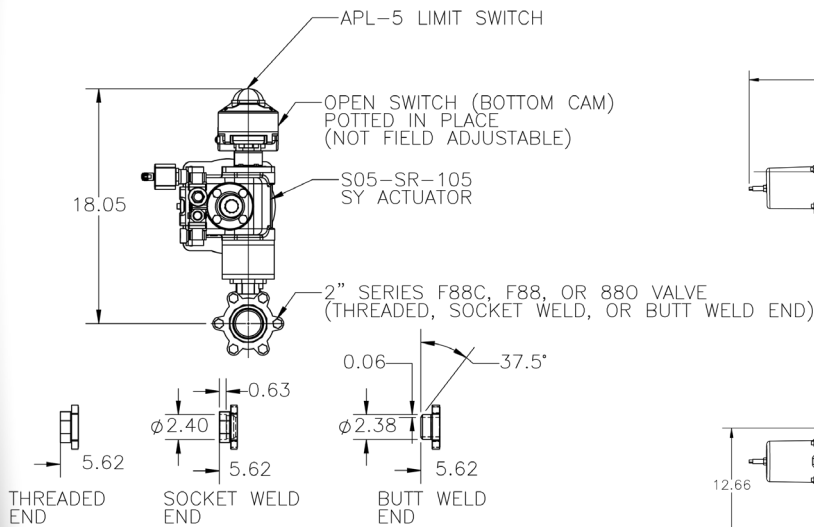
Valve	Actuator	A	B	C	D	E	F	F1	G	H	J	K
1/4"	2R40	11.08	8.00	5.15	5.99	5.09	2.95	2.95	0.55	0.39	0.13	0.85
3/8"	2R40	11.08	8.00	5.15	5.99	5.09	2.95	2.95	0.69	0.39	0.13	0.85
1/2"	2R40	11.08	8.00	5.15	5.99	5.09	2.85	2.95	0.85	0.39	0.06	0.85
3/4"	2R80	12.31	9.34	5.47	5.99	6.32	3.36	3.54	1.07	0.51	0.06	1.07
1"	2R80	12.79	9.34	5.47	5.99	6.8	4.15	4.33	1.34	0.51	0.06	1.34
1-1/4"	2R130	12.94	9.34	5.57	5.99	6.95	4.37	4.53	1.69	0.51	0.06	1.68
1-1/2"	2R200	14.38	11.51	5.87	5.99	8.39	5.01	5.12	1.92	0.51	0.06	1.91

SS1 Series & SV1 Series Gas Shutoff & Safety Vent Assemblies 3-piece 2"

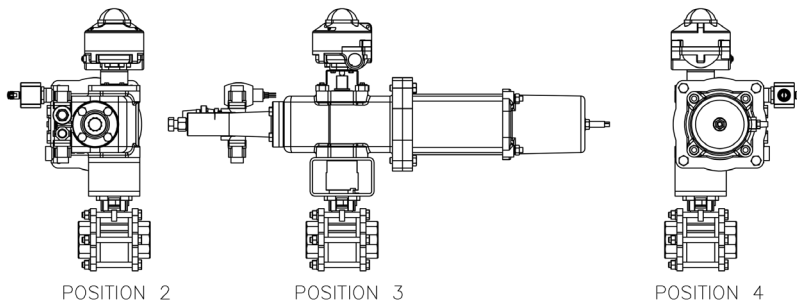
SS1 Series



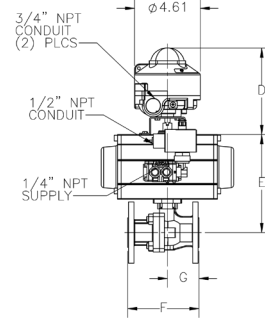
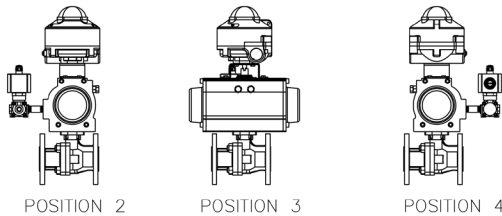
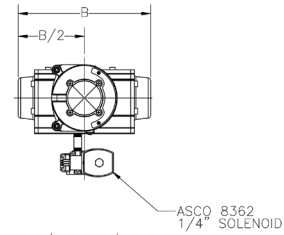
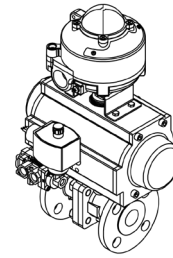
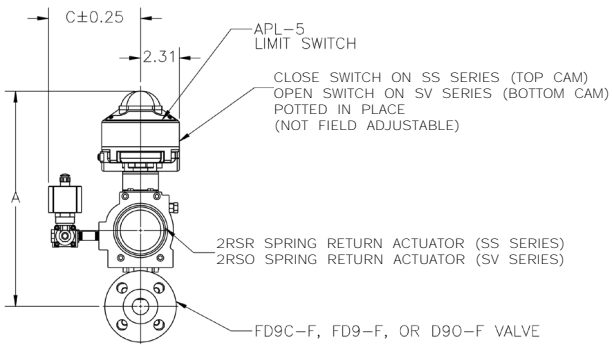
SV1 Series



POSITION 1 IS SHOWN.



SS1 Series & SV1 Series Gas Shutoff & Safety Vent Assemblies ASME Class 150 & 300 Flanged 1/2"-1"



ASME Class 150

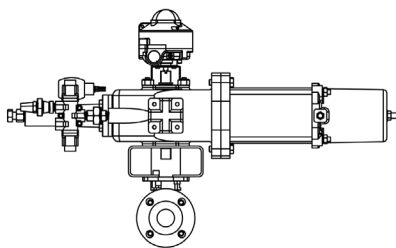
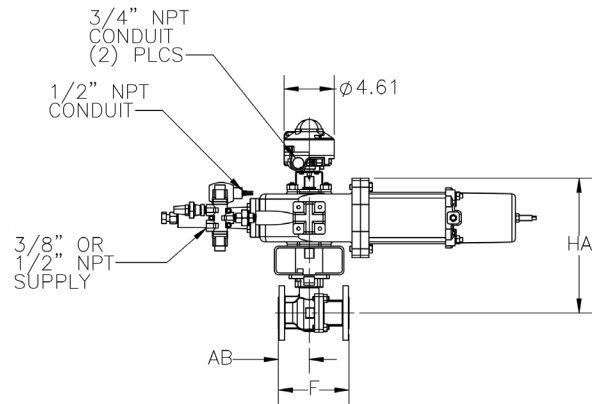
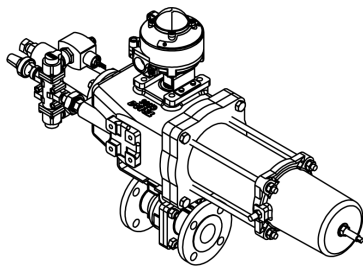
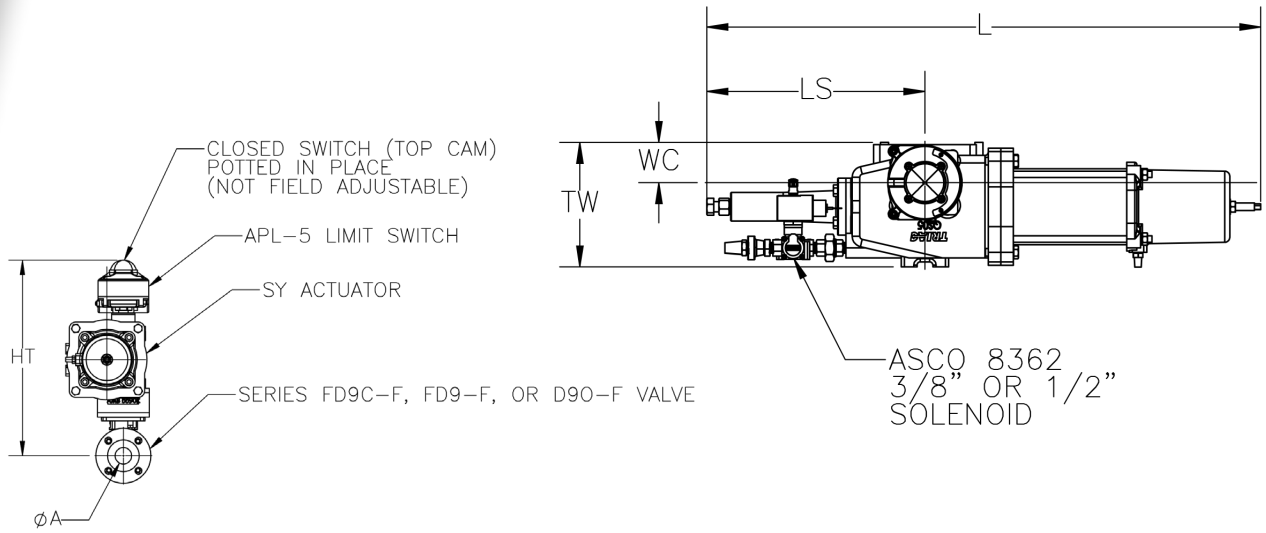
Valve	Actuator	A	B	C	D	E	F	G
1/2"	2R80	12.32	9.29	5.47	5.99	6.33	4.26	1.84
3/4"	2R80	12.50	9.29	5.47	5.99	6.51	4.62	2.18
1"	2R80	12.79	9.29	5.47	5.99	6.80	5.00	2.21

ASME Class 300

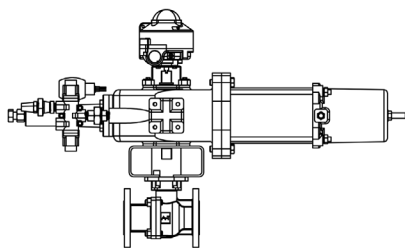
Valve	Actuator	A	B	C	D	E	F	G
1/2"	2R80	12.40	9.29	5.47	5.99	6.41	5.50	2.32
3/4"	2R80	12.98	9.29	5.47	5.99	6.99	6.00	2.59
1"	2R80	12.98	9.29	5.47	5.99	6.99	6.50	2.78

SS1 Series Gas Safety Shut-off Assemblies

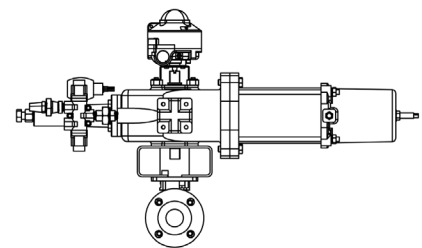
ASME Class 150 Flanged 1-1/2"-4"



POSITION 2



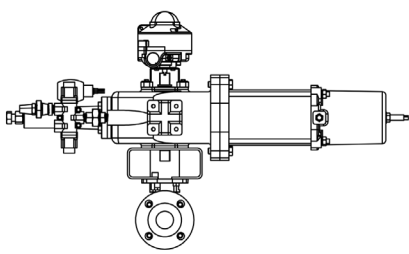
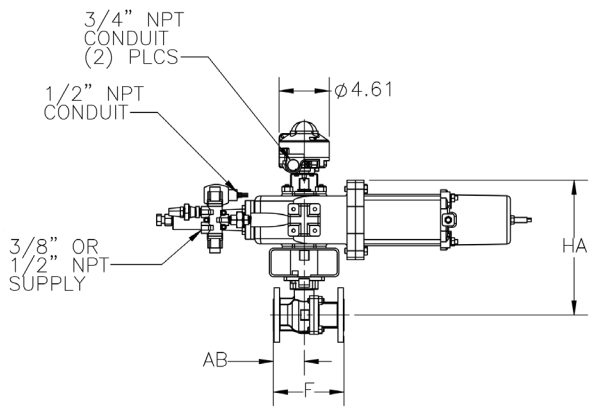
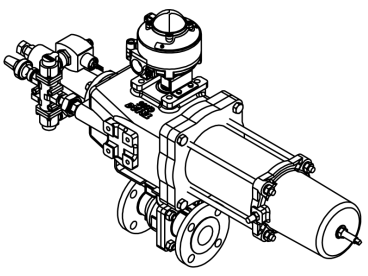
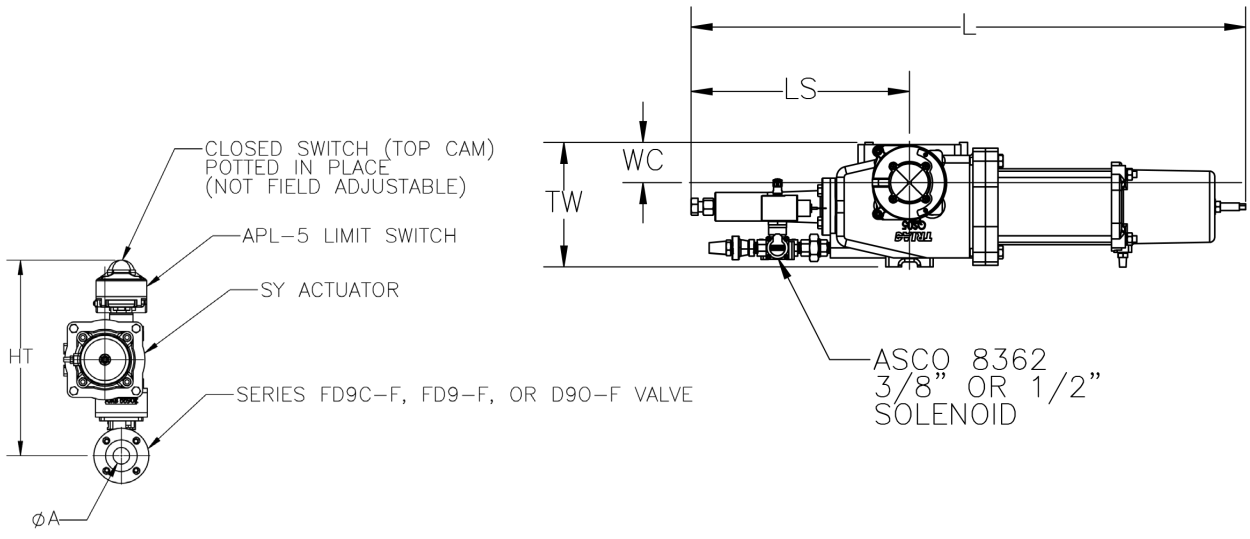
POSITION 3



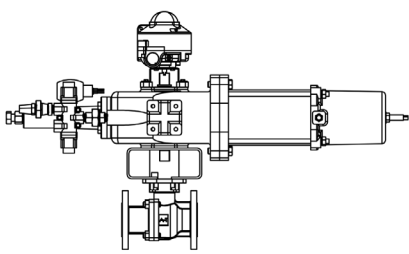
POSITION 4

Size	ϕA	AB	F	HA	HT	L	LS	TW	WC	Actuator
1-1/2"	1.50	2.84	6.50	12.37	17.76	32.87	13.27	7.74	2.50	S05SR10560
2"	1.97	3.38	7.02	12.66	18.05	32.87	13.27	8.24	3.01	S05SR10560
2-1/2"	2.56	3.06	7.48	13.43	18.82	32.87	13.27	8.74	3.50	S05SR10560
3"	3.15	4.01	8.01	14.08	19.47	33.66	13.27	8.99	3.75	S05SR13060
4"	3.94	4.07	9.00	17.27	22.88	41.00	15.60	10.52	4.50	S06SR18060

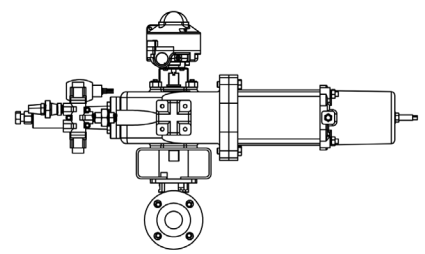
SS1 Series Gas Safety Shut-off Assemblies ASME Class 300 Flanged 1-1/2"-4"



POSITION 2



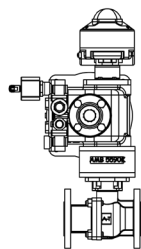
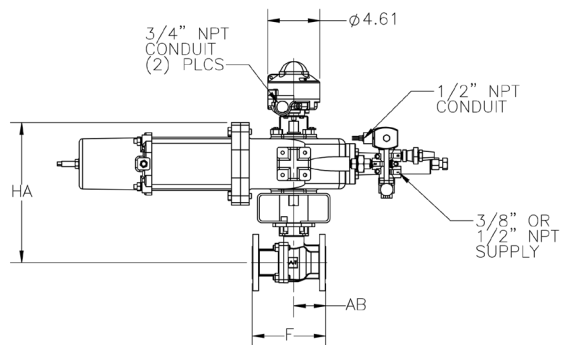
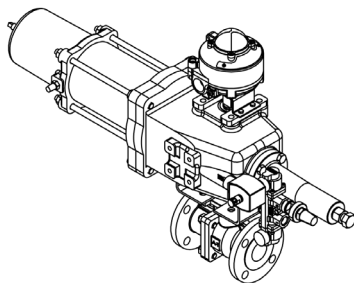
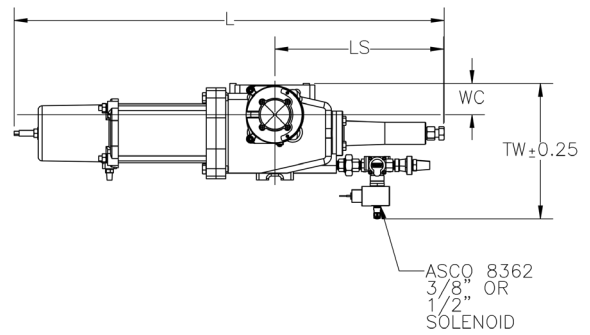
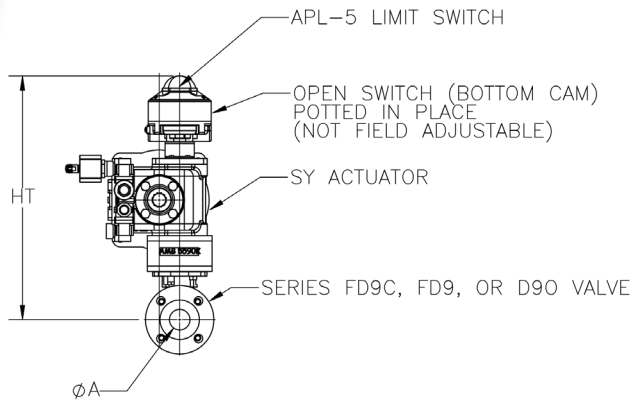
POSITION 3



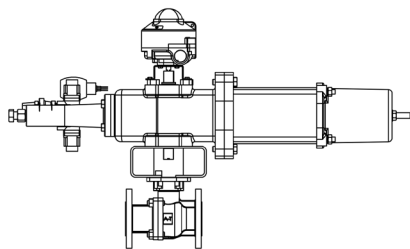
POSITION 4

Size	ϕA	AB	F	HA	HT	L	LS	TW	WC	Actuator
1-1/2"	1.50	3.13	7.50	12.37	17.75	32.87	13.27	8.30	3.06	S05SR10560
2"	1.97	3.81	8.50	12.66	18.05	32.87	13.27	8.49	3.25	S05SR10560
2-1/2"	2.56	4.20	9.50	13.43	18.82	32.87	13.27	8.99	9.75	S05SR10560
3"	3.15	5.10	11.12	14.07	19.46	33.66	13.27	9.36	4.13	S05SR13060
4"	3.94	5.50	12.00	17.27	22.79	41.00	15.60	11.02	5.00	S06SR18060

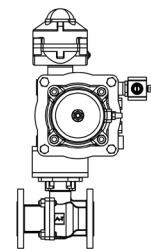
SV1 Series Gas Safety Vent Assemblies ASME Class 150 Flanged 1-1/2"-4"



POSITION 2



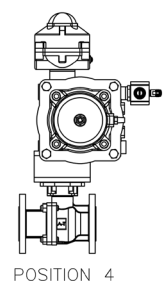
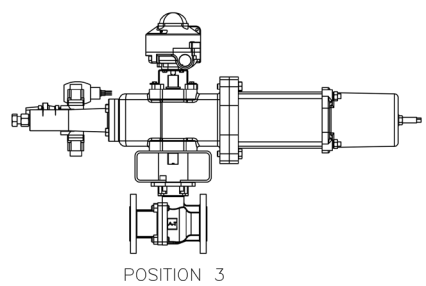
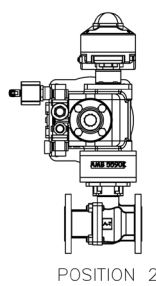
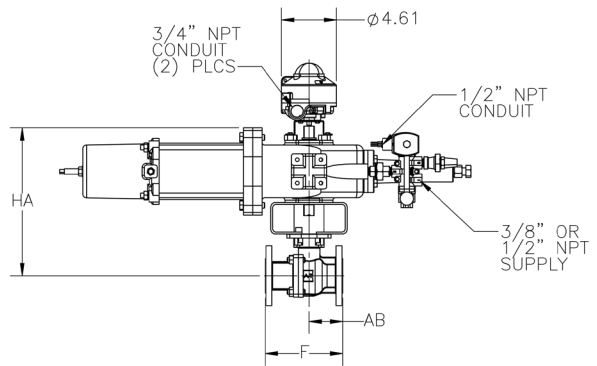
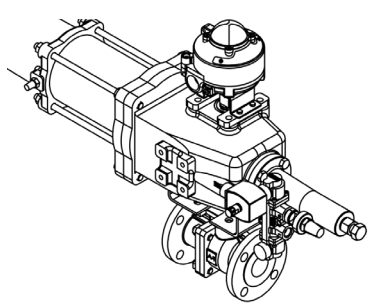
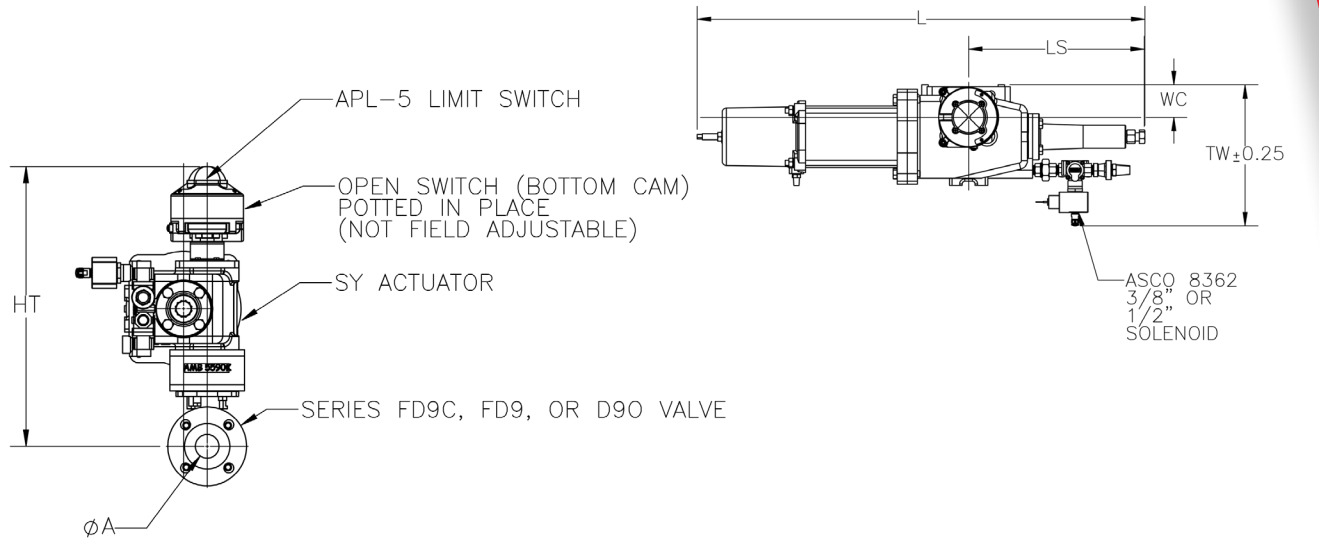
POSITION 3



POSITION 4

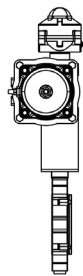
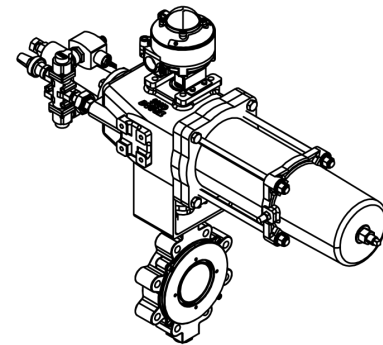
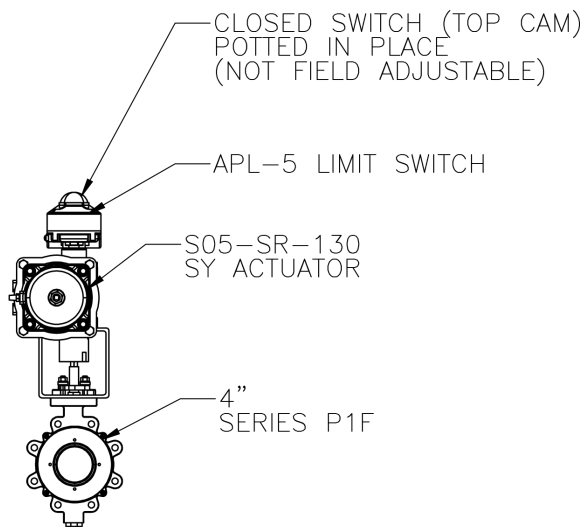
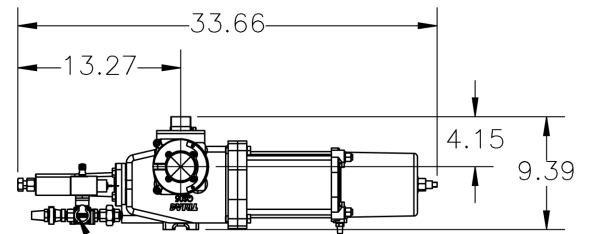
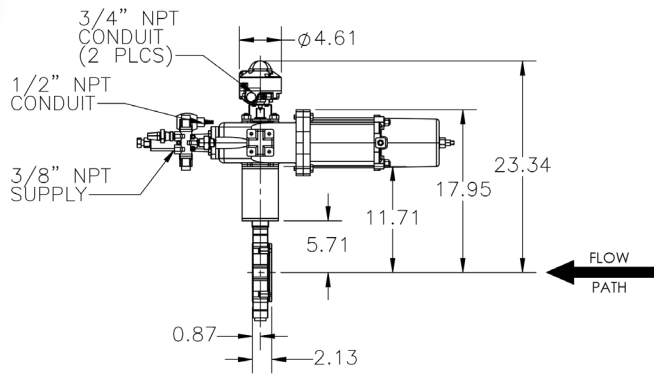
Size	ØA	AB	F	HA	HT	L	LS	TW	WC	Actuator
1-1/2"	1.50	2.84	6.50	12.37	17.76	32.87	13.27	10.84	2.50	S05SR10560
2"	1.97	3.38	7.02	12.66	18.05	32.87	13.27	11.34	3.01	S05SR10560
2-1/2"	2.56	3.06	7.48	13.43	18.82	32.87	13.27	11.84	3.50	S05SR10560
3"	3.15	4.01	8.01	14.08	19.47	33.66	13.27	12.09	3.75	S05SR13060
4"	3.94	4.07	9.00	17.27	22.88	41.00	15.60	13.55	4.50	S06SR18060

SV1 Series Gas Safety Vent Assemblies ASME Class 300 Flanged 1-1/2"-4"

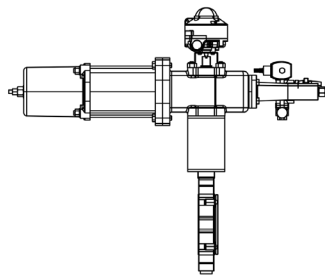


Size	ØA	AB	F	HA	HT	L	LS	TW	WC	Actuator
1-1/2"	1.50	3.13	7.50	12.37	17.75	32.87	13.27	11.40	3.06	S05SR10560
2"	1.97	3.81	8.50	12.66	18.05	32.87	13.27	11.59	3.25	S05SR10560
2-1/2"	2.56	4.20	9.50	13.43	18.82	32.87	13.27	12.09	9.75	S05SR10560
3"	3.15	5.10	11.12	14.07	19.46	33.66	13.27	12.47	4.13	S05SR13060
4"	3.94	5.50	12.00	17.27	22.79	41.00	15.60	14.05	5.00	S06SR18060

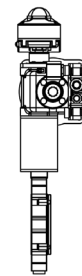
SS1 Series Gas Safety Shutoff Assemblies P1F Series Lug Style ASME Class 150 4" - 8"



POSITION 2



POSITION 3

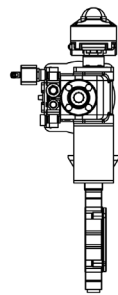
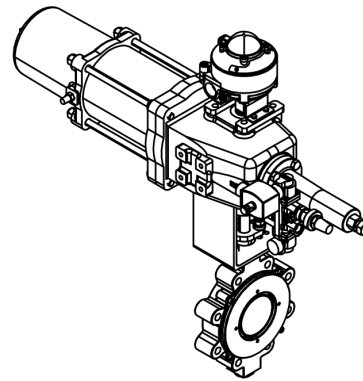
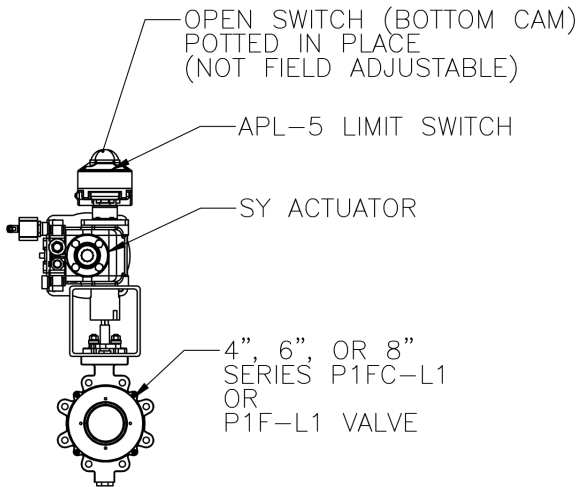
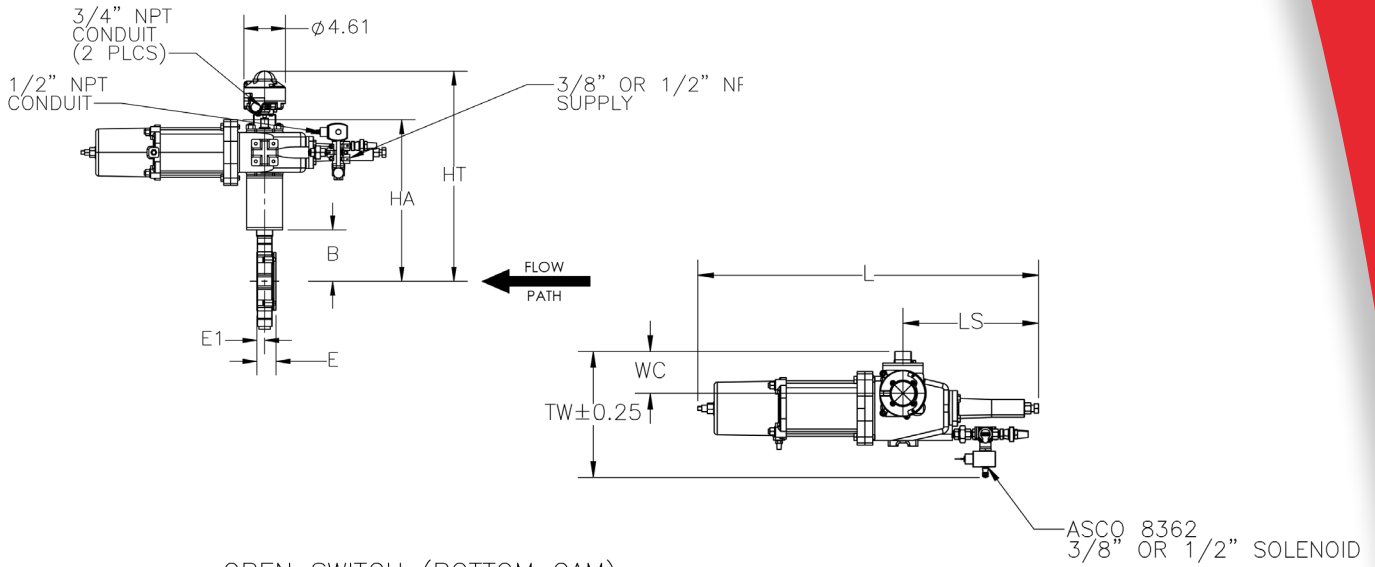


POSITION 4

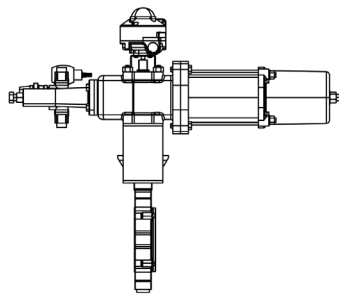
Size	Actuator	B	C	E	E1	L	HA	HT	LS	TW	WC
4"	S05SR13060	5.71	8.47	2.13	0.87	33.66	17.95	23.34	13.27	9.39	4.15
6"*	S06SR18060	6.89	9.65	2.24	0.94	41.00	19.98	25.50	15.60	11.60	5.23
8"*	S06SR18060	7.87	10.63	2.52	1.06	41.00	21.96	27.49	15.60	12.51	6.33

*6" and 8" Series PIF/P1FC assemblies are pending FM approval.

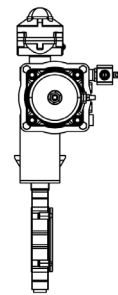
SV1 Series Gas Safety Vent Assemblies P1F Series Lug Style ASME Class 150 4" - 8"



POSITION 2



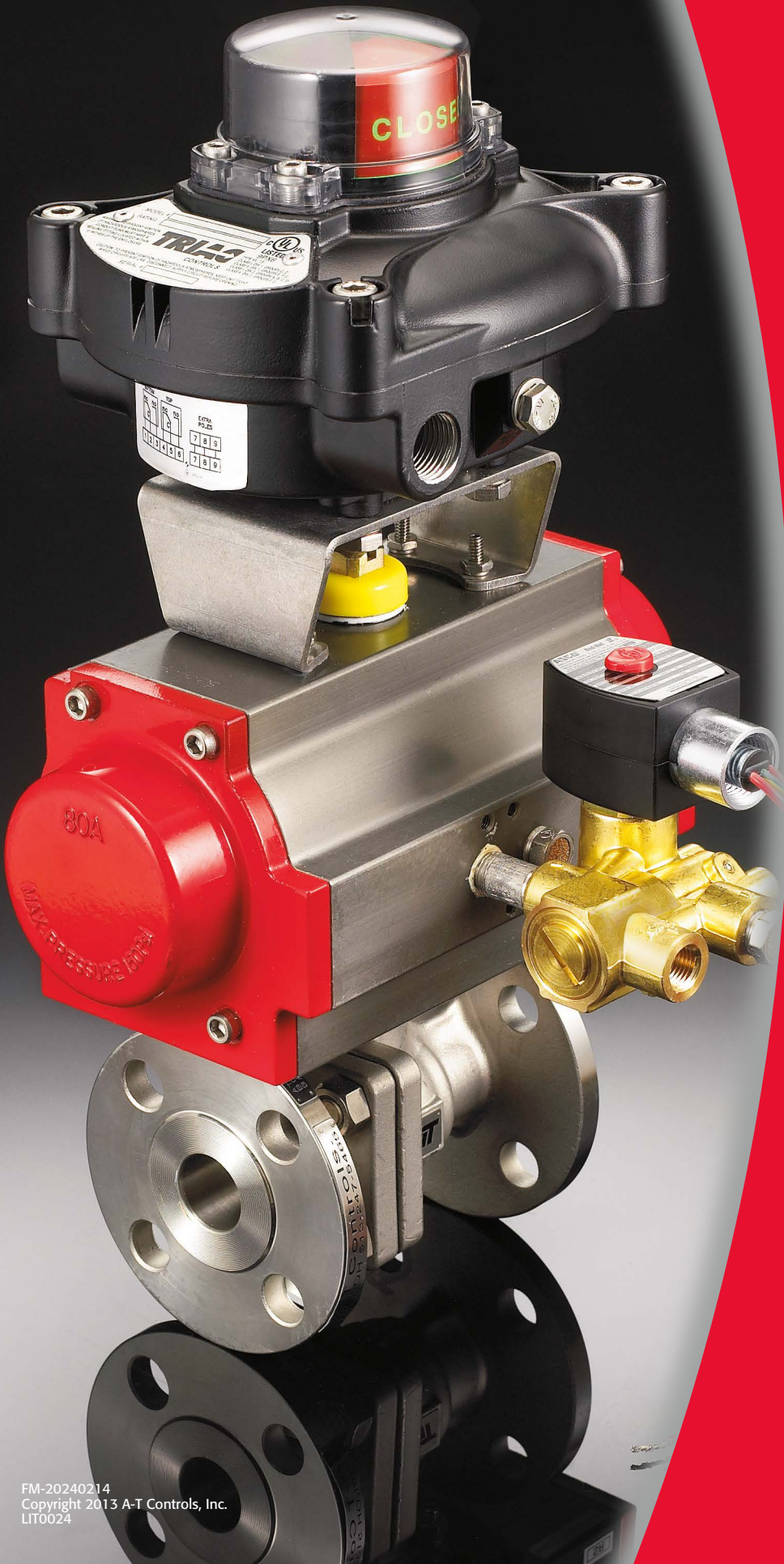
POSITION 3



POSITION 4

Size	Actuator	B	C	E	E1	L	HA	HT	LS	TW	WC
4"	S05SR13060	5.71	8.47	2.13	0.87	33.66	17.95	23.34	13.27	12.50	4.15
6"*	S06SR18060	6.89	9.65	2.24	0.94	41.00	19.98	25.50	15.60	14.28	5.23
8"*	S06SR18060	7.87	10.63	2.52	1.06	41.00	21.96	27.49	15.60	15.38	6.33

*6" and 8" Series PIF/P1FC assemblies are pending FM approval.



A-T Controls, Inc.

9955 International Blvd.
Cincinnati, OH 45246

PH: 513 - 247 - 5465

FAX: 513 - 247 - 5462

sales@atcontrols.com

www.atcontrols.com