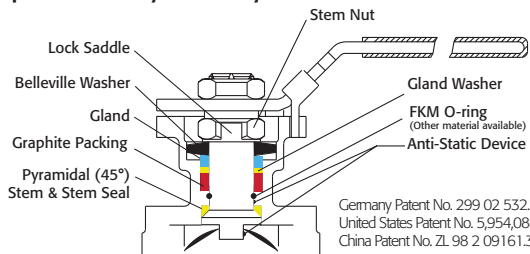


**API 607 - 6th Edition
CERTIFIED**



Triac FD9 Series Flanged Ball Valves feature a direct mount automation pad. The high quality investment castings feature a fully machined bore. The superior live-loaded packing system is accomplished with Belleville washers, "V" ring packing and a unique primary pyramidal stem seal. This advanced sealing system provides protection against stem leaks experienced by ordinary ball valves.



RTFE seats are standard, but various options are available for seat materials. The 50/50 STFE seat option is excellent for services that call for higher temperatures and more difficult applications, including steam. Call us for details.

HOW TO ORDER MANUAL VALVES

SAMPLE PART #
FD9C-F3-0300-XXX- - -

Firesafe	Valve Series	Carbon Steel	End Connection	Valve Size	Seat Material	Additional Special Designation
						Special Designation

See part number matrix for itemized options

Easy to Automate!

See automated data sheets for pre-sized assemblies



Pneumatic



Electric

FD9F3-3R-20240906
Copyright 2013 A-T Controls, Inc.

A-T Controls, Inc.

Series FD9-F3

FIRESAFE

300# Direct Mount Split Body Flanged Ball Valve

Sizes 1/2" - 6"

Available in 316SST or WCB

ASME Class 300

Full Port Design

Superior Live Loaded Packing System

ISO 5211 Actuator Mounting Pad

Blowout Proof Stem w/ Dual Anti-Static Devices

RTFE Seats Standard

Pyramidal Stem Seal Design

Monel Ball & Stem Available

Lockable Manual Handle

STANDARDS

Design	ASME B16.34 (fully conforms)
Face to Face	ASME B16.10
Flange Dimensions	ASME B16.5
Pressure Testing	API 598
Fire Testing	API 607-6th Edition on 1/2"-4" (SST & WCB) and 6" WCB; API-607-4th Edition on 6" SST
Sulfide Stress Protection	NACE MR0175
Mounting	ISO 5211
CE Approval	2014/68/EU Module H
Marking System for Valves	MSS SP-25
Material Certification	EN 10204-3.1 MTR
Quality Assurance	ISO 9001:2015
Fugitive Emissions	ISO 15848-1

TABLE OF CONTENTS:

- Page 2 - Materials & Dimensions
- Page 3 - Technical Data
- Page 4 - Double Acting
- Page 5 - Spring Return
- Page 6 - Electric
- Page 7 - How to Order - Manual
- Page 8 - How to Order - Automated

A-T Controls, Inc.

9955 International Blvd.
Cincinnati, Ohio 45246
www.atcontrols.com

PHONE (513) 247-5465
FAX (513) 247-5462
sales@atcontrols.com

SERIES FD9 300# Direct Mount Split Body Flanged Ball Valve

Firesafe

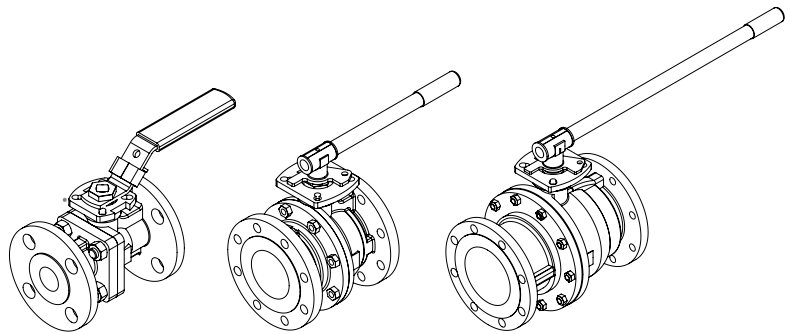
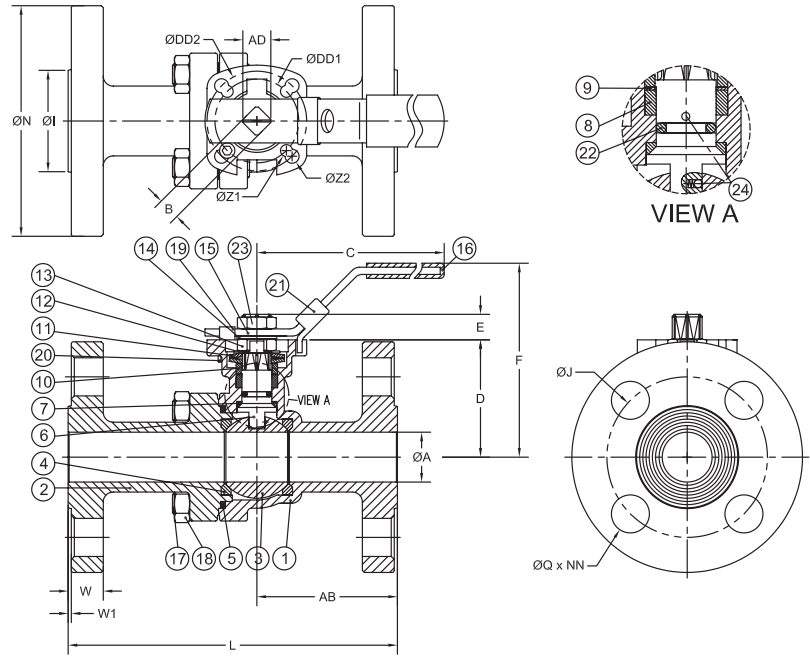
Series FD9-F3

High Performance, Full Port 300# Split Body Flanged Ball Valve Series FD9-F3 (ASME Class 300)

API 607 - 6th Edition
CERTIFIED FIRESAFE

MATERIALS LIST

NO.	PART NAME	QTY	STAINLESS STEEL	CARBON STEEL	REPAIR KIT
1	BODY	1	ASTM A351 GRADE CF8M	ASTM A216 GRADE WCB	
2	END CAP	1	ASTM A351 GRADE CF8M	ASTM A216 GRADE WCB	
3	BALL	1	ASTM A351 GRADE CF8M	ASTM A351 GRADE CF8M	
4	SEAT	2	RTFE	RTFE	✓
5	JOINT GASKET	1	GRAPHITE	GRAPHITE	✓
6	STEM	1	ASTM A276 SS316	ASTM A276 SS316	
7	STEM SEAL	1	TFM™-1600	TFM™-1600	✓
8	GLAND PACKING	1	GRAPHITE	GRAPHITE	✓
9	GLAND WASHER	1	RTFE	RTFE	✓
10	GLAND BUSHING	1	AISI 304	AISI 304	
11	BELLEVILLE WASHER	2	AISI 301	AISI 301	
12	LOCK SADDLE	1	AISI 304	AISI 304	
13	STEM NUT	1	AISI 304	AISI 304	
14	STEM WASHER	1	AISI 304	AISI 304	
15	HANDLE	1	AISI 304	AISI 304	
16	HANDLE SLEEVE	1	VINYL	VINYL	
17	BODY STUD	*	ASTM A193 GRADE B8M	ASTM A193 GRADE B7M	
18	BODY NUT	*	ASTM A194 GRADE 8M	ASTM A194 GRADE 2HM	
19	STOP BOLT	1	AISI 304	AISI 304	
20	STOP BOLT NUT	1	AISI 304	AISI 304	
21	HANDLE LOCK	1	AISI 304	AISI 304	
22	STEM O-RING	1	FKM	FKM	✓
23	HANDLE NUT	1	AISI 304	AISI 304	
24	ANTI-STATIC DEVICE	2	AISI 316	AISI 316	



BENT HANDLE SIZES 1/2" - 2-1/2"
PIPE HANDLE SIZES 3" - 4"
PIPE HANDLE SIZE 6"

NOTE: A-T CONTROLS RECOMMENDS A GEAR FOR 6" VALVES AND LARGER

DIMENSIONS (IN)

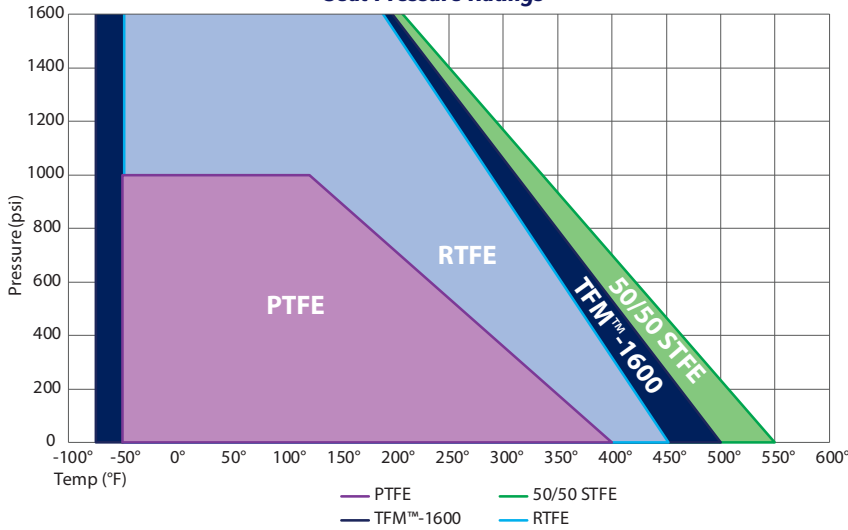
SIZE	A	B	C	D	E	F	I	J	L	N	Q	W	W1	Z1	Z2	AB	AC	AD	DD1	DD2	NN	ISO 5211	LBS
1/2"	0.59	0.433	6.50	1.92	0.39	3.40	1.38	2.62	5.50	3.75	0.63	0.56	0.06	0.26	0.28	2.32	1.17	0.55	1.654	1.969	4	F04/F05	5
3/4"	0.79	0.433	6.50	2.50	0.41	4.04	1.69	3.25	6.00	4.62	0.75	0.62	0.06	0.26	0.28	2.59	1.17	0.55	1.654	1.969	4	F04/F05	8
1"	0.98	0.433	6.50	2.50	0.41	4.06	2.00	3.50	6.50	4.88	0.75	0.69	0.06	0.26	0.28	2.78	1.17	0.55	1.654	1.969	4	F04/F05	10.5
1-1/2"	1.50	0.748	10.32	3.51	0.75	5.41	2.88	4.50	7.50	6.12	0.87	0.81	0.06	0.39	0.47	3.13	2.08	0.94	2.756	4.016	4	F07/F10	22
2"	1.97	0.748	10.32	3.80	0.75	5.87	3.62	5.00	8.50	6.50	0.75	0.88	0.06	0.39	0.47	3.81	2.08	0.94	2.756	4.016	8	F07/F10	28.5
2-1/2"	2.56	0.748	10.32	4.57	0.75	6.44	4.12	5.88	9.50	7.50	0.87	1.00	0.06	0.39	0.47	4.20	2.08	0.94	2.756	4.016	8	F07/F10	42
3"	3.15	0.866	14.37	5.22	0.91	8.10	5.00	6.62	11.12	8.25	0.87	1.12	0.06	0.47	0.55	5.10	2.55	1.17	4.016	4.921	8	F10/F12	59
4"	3.94	0.866	14.37	6.18	0.91	8.70	6.19	7.88	12.00	10.00	0.87	1.25	0.06	0.47	0.55	5.50	2.55	1.17	4.016	4.921	8	F10/F12	96
6"	5.91	1.063	29.53	8.28	1.12	13.00	8.50	10.62	15.87	12.50	0.87	1.44	0.06	0.55	0.71	7.30	3.07	1.40	4.921	5.512	12	F12/F14	213

High Performance, Full Port
300# Split Body Flanged Ball Valve
Series FD9-F3 (ASME Class 300)

Series FD9-F3

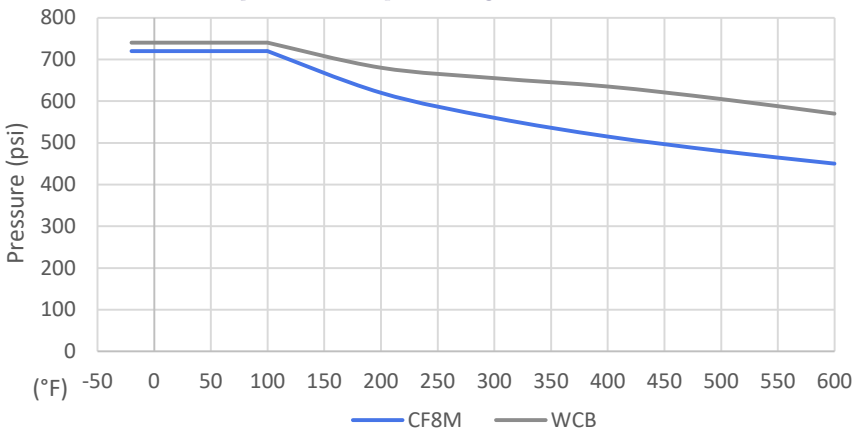
API 607 - 6th Edition
CERTIFIED FIRESAFE

Pressure vs. Temperature - Series D9/FD9-F3
Seat Pressure Ratings



Temp	Pressure - Seat Material			
	RTFE	STFE	PTFE	TFM™-1600
-75°				2000
-50°	2000	2000	1000	2000
100°	2000	2000	1000	2000
122°	2000	2000	1000	2000
150°	1829	1869	899	1852
200°	1524	1636	719	1587
250°	1220	1402	540	1323
300°	915	1168	360	1058
350°	610	935	180	794
400°	305	701	0	529
450°	0	467		265
500°		234		0
550°		0		

Pressure vs. Temperature - Series FD9-F3
Body & End Cap Ratings ASME B16.34



Temp (°F)	WCB psi	CF8M psi
-20°	740	720
100°	740	720
200°	680	620
300°	655	560
400°	635	515
500°	605	480
600°	570	450

FD9-F3 Component Temperature Ratings

COMPONENT	MATERIAL	TEMPERATURE
Stem Packing	Graphite	-100°F to 1100°F
Stem Seal	TFM™-1600	-75°F to 500°F
Gaskets	Graphite	-100°F to 1100°F
Seats (Other Materials Available)	PTFE	-50°F to 400°F
	RTFE (standard)	-50°F to 450°F
	TFM™-1600	-75°F to 500°F
	50/50 STFE	-50°F to 550°F
O-Rings	FKM (standard)	-20°F to 450°F
	Markez® Z1028	5°F to 608°F
	Kalrez® 4079	30°F to 600°F
	Chemraz® 505	-22°F to 446°F
	Kalrez® 6375	-4°F to 527°F
	Perlast® G75M	5°F to 500°F
	Chemraz® 564	-40°F to 445°F
	Low Temp Buna	-65°F to 275°F
	EPDM	-70°F to 250°F
Silicone	-60°F to 400°F	

NOTE: At temperature, valves are limited by either the valve body/end cap pressure ratings, seat pressure ratings, or packing/stem seal/gaskets; whichever is lower.

Published torques are based on full differential pressure with clean water. Consult the Application Sizing Guide for assistance with sizing actuators.

Break Away Torque for RTFE Seats	
SIZE	IN-LBS
1/2"	45
3/4"	73
1"	101
1-1/2"	233
2"	360
2-1/2"	577
3"	852
4"	1,553
6"	6,198

VALVE SIZE	VALVE Cv
1/2"	15
3/4"	45
1"	85
1-1/2"	275
2"	450
2-1/2"	700
3"	1,100
4"	2,200
6"	5,150

**Pneumatic
Double Acting
Automated
Ball Valve Package**
Series FD9-F3
ASME Class 300
Flanged Ball Valve
Direct Mount

Firesafe

Sizes 1/2" - 6"

Available in 316SST or WCB

ASME Class 300

Full Port Design

Superior Live Loaded Packing System

Blowout Proof Stem w/ Dual Anti-Static Devices

RTFE Seats Standard

Pyramidal Stem Seal Design

Monel Ball & Stem Available

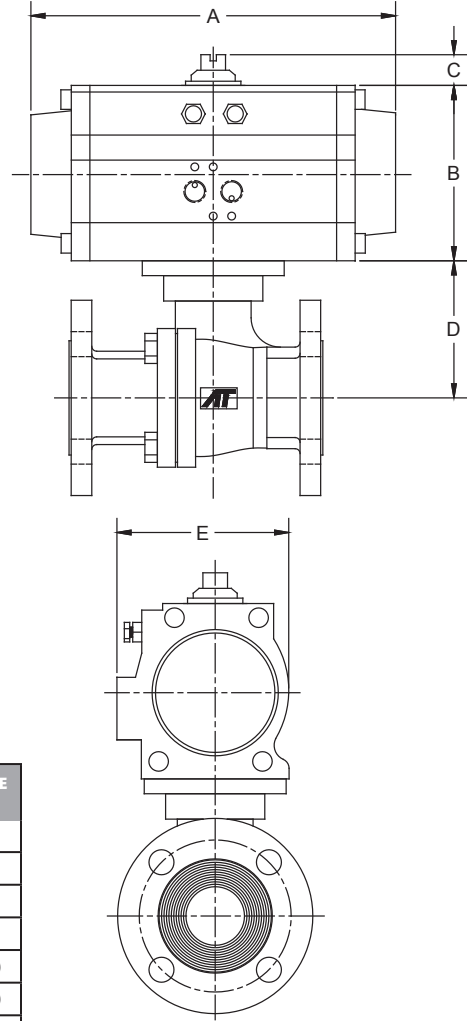
STANDARDS

Design	ASME B16.34 (fully conforms)
Face to Face	ASME B16.10
Flange Dimensions	ASME B16.5
Pressure Testing	API 598
Fire Testing	API 607-6th Edition on 1/2"-4" (SST & WCB), and 6" WCB; API-607-4th Edition on 6" SST
Sulfide Stress Protection Mounting	NACE MR0175 ISO 5211
CE Approval	2014/68/EU Module H
Marking System for Valves	MSS SP-25
Material Certification	EN 10204-3.1 MTR
Quality Assurance	ISO 9001:2015
Fugitive Emissions	ISO 15848-1

**API 607 - 6th Edition
CERTIFIED**



ASME Class 300 Flanged
Firesafe Tested to API-607
Direct Mount



DIMENSIONS (IN)

VALVE SIZE	A	B	C	D	E	VALVE Cv
1/2"	6.50	2.84	0.787	1.92	2.66	15
3/4"	6.50	2.84	0.787	2.50	2.66	45
1"	6.50	2.84	0.787	2.50	2.66	85
1-1/2"	9.29	4.30	0.787	3.51	4.18	275
2"	9.29	4.30	0.787	3.80	4.18	450
2-1/2"	9.29	4.30	0.787	4.57	4.18	700
3"	13.39	6.14	0.787	5.22	5.59	1,100
4"	13.39	6.14	0.787	6.18	5.59	2,200
6"	19.37	7.81	1.181	8.28	6.34	5,150

DIMENSIONS SHOWN ARE FOR ASSEMBLIES SIZED FOR 80 PSI SUPPLY

SERIES FD9-F3 300# Flanged Direct Mount

Firesafe

SIZED FOR 80 psi AIR SUPPLY	
SIZE	MODEL
1/2"	FD9-3X-050/3RDD-XX
3/4"	FD9-3X-075/3RDD-XX
1"	FD9-3X-100/3RDD-XX
1-1/2"	FD9-3X-150/3RFD-XX
2"	FD9-3X-200/3RFD-XX
2-1/2"	FD9-3X-250/3RFD-XX
3"	FD9-3X-300/3RJD-XX
4"	FD9-3X-400/3RJD-XX
6"	FD9-3X-600/3RMD-XX

SIZED FOR 60 psi AIR SUPPLY	
SIZE	MODEL
1/2"	FD9-3X-050/3RDD-XX
3/4"	FD9-3X-075/3RDD-XX
1"	FD9-3X-100/3RDD-XX
1-1/2"	FD9-3X-150/3RFD-XX
2"	FD9-3X-200/3RFD-XX
2-1/2"	FD9-3X-250/3RGD-XX
3"	FD9-3X-300/3RJD-XX
4"	FD9-3X-400/3RJD-XX
6"	FD9-3X-600/3RPD-XX

OPTIONS		
SUFFIX 1	Accessories/Options	Model no.
X	No Specials	
A	TYPE 4 Solenoid 120VAC	TVCS-X411-4N-A120
B	TYPE 7 Solenoid 120VAC	TVCS-X411-7N-A120
C	Intrinsically Safe Solenoid	TVSS-X411-4N-D24
D	TYPE 4 Solenoid 24VDC	TVCS-X411-4N-D24
F	TYPE 7 Solenoid 24VDC	TVCS-X411-7N-D24
Q	TYPE 4 SST Solenoid 120VAC	TVSS-X411-4N-A120
M	TYPE 7 SST Solenoid 120VAC	TVSS-X411-7N-A120
L	TYPE 4 SST Solenoid 24VDC	TVSS-X411-4N-D24
N	TYPE 7 SST Solenoid 24VDC	TVSS-X411-7N-D24
P	Pneumatic Positioner	PPR-1200
E	Electro-Pneumatic Positioner	EPR-1000
SUFFIX 2	Accessories	Model no.
X	No Specials	
A	TYPE 4 Limit Switch	APL-210N
B	TYPE 7 Limit Switch	APL-510N
C	Intrinsically Safe Limit Switch	APL-218N
Q	TYPE 4 SST Limit Switch	APL-910N
M	TYPE 7 SST Limit Switch	APL-510S
H	NEMA 4 Std. Enc.	APL-310N

Other options available - call for details.
Actuators are sized based on full differential pressure with clean water. Consult the Application Sizing Guide for assistance with sizing actuators.

SAMPLE PART #
FD9C-3X-150/3RED-XX

Firesafe
Valve Series
Carbon Steel
End Connection
Seat Material
Valve Size
TRIAC Actuator Series
Actuator Size
Double Acting

See automated part number matrix on back cover for complete part number and options.

SUFFIX 1: Solenoids
SUFFIX 2: Limit Switch

**Pneumatic
Spring Return
Automated
Ball Valve Package**
Series FD9-F3
ASME Class 300
Flanged Ball Valve
Direct Mount

Firesafe

Sizes 1/2" - 6"

Available in 316SST or WCB

ASME Class 300

Full Port Design

Superior Live Loaded Packing
System

Blowout Proof Stem w/ Dual
Anti-Static Devices

RTFE Seats Standard

Pyramidal Stem Seal Design

Monel Ball & Stem Available

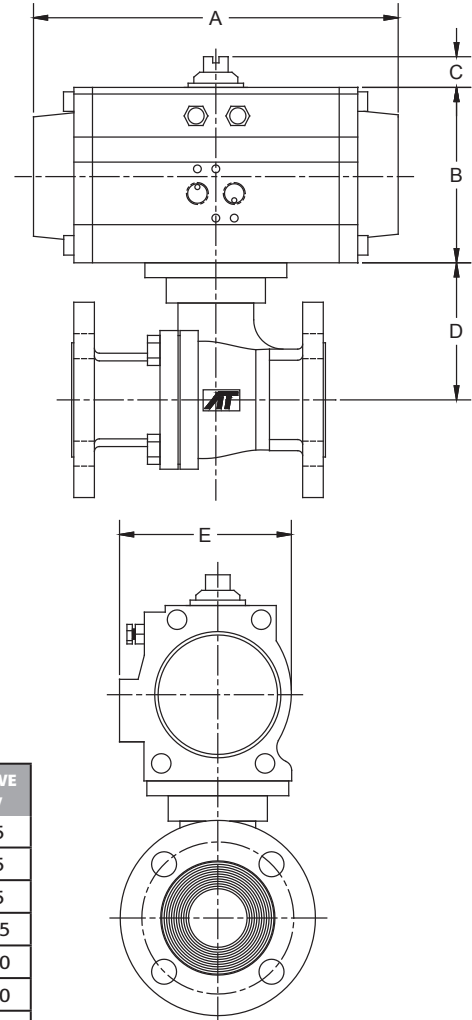
STANDARDS

Design	ASME B16.34 (fully conforms)
Face to Face	ASME B16.10
Flange Dimensions	ASME B16.5
Pressure Testing	API 598
Fire Testing	API 607-6th Edition on 1/2"-4" (SST & WCB), and 6" WCB; API-607-4th Edition on 6" SST
Sulfide Stress Protection Mounting	NACE MR0175 ISO 5211
CE Approval	2014/68/EU Module H
Marking System for Valves	MSS SP-25
Material Certification	EN 10204-3.1 MTR
Quality Assurance	ISO 9001:2015
Fugitive Emissions	ISO 15848-1

**API 607 - 6th Edition
CERTIFIED**



ASME Class 300 Flanged
Firesafe Tested to API-607
Direct Mount



DIMENSIONS (IN)

VALVE SIZE	A	B	C	D	E	VALVE Cv
1/2"	7.60	3.47	0.787	1.92	3.35	15
3/4"	7.60	3.47	0.787	2.50	3.35	45
1"	7.60	3.47	0.787	2.50	3.35	85
1-1/2"	9.29	4.30	0.787	3.51	4.18	275
2"	11.02	4.61	0.787	3.80	4.27	450
2-1/2"	13.39	6.14	0.787	4.57	5.49	700
3"	15.35	6.81	1.181	5.22	5.59	1,100
4"	16.89	7.36	1.181	6.18	5.94	2,200
6"	27.38	10.12	1.181	12.28	9.38	5,150

DIMENSIONS SHOWN ARE FOR ASSEMBLIES SIZED FOR 80 PSI SUPPLY

SERIES FD9-F3 300# Flanged Direct Mount

Firesafe

SIZED FOR 80 psi AIR SUPPLY	
SIZE	MODEL
1/2"	FD9-3X-050/3RES-XX
3/4"	FD9-3X-075/3RES-XX
1"	FD9-3X-100/3RES-XX
1-1/2"	FD9-3X-150/3RFS-XX
2"	FD9-3X-200/3RGS-XX
2-1/2"	FD9-3X-250/3RJS-XX
3"	FD9-3X-300/3RKS-XX
4"	FD9-3X-400/3RLS-XX
6"	FD9-3X-600/3RTS-XX

SIZED FOR 60 psi AIR SUPPLY	
SIZE	MODEL
1/2"	FD9-3X-050/3RE4-XX
3/4"	FD9-3X-075/3RE4-XX
1"	FD9-3X-100/3RF4-XX
1-1/2"	FD9-3X-150/3RG4-XX
2"	FD9-3X-200/3RH4-XX
2-1/2"	FD9-3X-250/3RJ4-XX
3"	FD9-3X-300/3RK4-XX
4"	FD9-3X-400/3RL4-XX
6"	FD9-3X-600/3RWS-XX

OPTIONS

SUFFIX 1	Accessories/Options	Model no.
X	No Specials	
A	TYPE 4 Solenoid 120VAC	TVCS-X411-4N-A120
B	TYPE 7 Solenoid 120VAC	TVCS-X411-7N-A120
C	Intrinsically Safe Solenoid	TVIS-X411-4N-D24
D	TYPE 4 Solenoid 24VDC	TVCS-X411-4N-D24
F	TYPE 7 Solenoid 24VDC	TVCS-X411-7N-D24
Q	TYPE 4 SST Solenoid 120VAC	TVSS-X411-4N-A120
M	TYPE 7 SST Solenoid 120VAC	TVSS-X411-7N-A120
L	TYPE 4 SST Solenoid 24VDC	TVSS-X411-4N-D24
N	TYPE 7 SST Solenoid 24VDC	TVSS-X411-7N-D24
P	Pneumatic Positioner	PPR-1200
E	Electro-Pneumatic Positioner	EPR-1000
SUFFIX 2	Accessories	Model no.
X	No Specials	
A	TYPE 4 Limit Switch	APL-210N
B	TYPE 7 Limit Switch	APL-510N
C	Intrinsically Safe Limit Switch	APL-218N
Q	TYPE 4 SST Limit Switch	APL-910N
M	TYPE 7 SST Limit Switch	APL-510S
H	NEMA 4 Std. Enc.	APL-310N

Other options available - call for details.

Actuators are sized based on full differential pressure with clean water. Consult the Application Sizing Guide for assistance with sizing actuators.

SAMPLE PART #
FD9C-3X-150/3RFS-XX

Firesafe |
Valve Series |
Carbon Steel |
End Connection |
Seat Material |
Valve Size |
TRIAC Actuator Series |
Actuator Size |
Spring Return |
SUFFIX 1: Solenoids |
SUFFIX 2: Limit Switch |

See automated part number matrix on back cover for complete part number and options.

Electric

Automated Ball Valve Package

Series FD9-F3
ASME Class 300
Flanged Ball Valve
Direct Mount

Firesafe

Sizes 1/2" - 6"

Available in 316SST or WCB

ASME Class 300

Full Port Design

Superior Live Loaded Packing System

Blowout Proof Stem w/ Dual Anti-Static Devices

RTFE Seats Standard

Pyramidal Stem Seal Design

Monel Ball & Stem Available

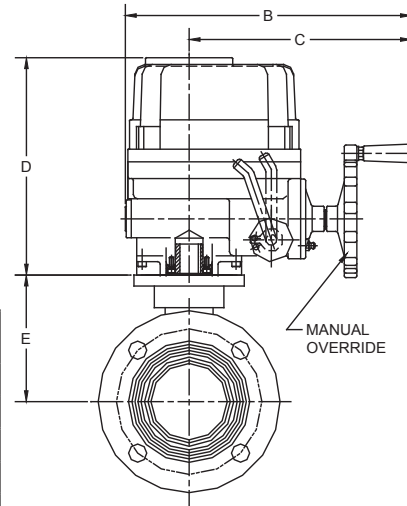
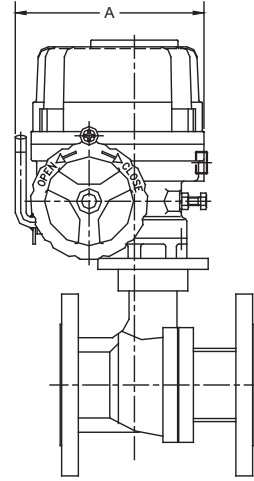
STANDARDS

Design	ASME B16.34 (fully conforms)
Face to Face	ASME B16.10
Flange Dimensions	ASME B16.5
Pressure Testing	API 598
Fire Testing	API 607-6th Edition on 1/2"-4" (SST & WCB), and 6" WCB; API-607-4th Edition on 6" SST
Sulfide Stress Protection	NACE MR0175
Mounting	ISO 5211
CE Approval	2014/68/EU Module H
Marking System for Valves	MSS SP-25
Material Certification	EN 10204-3.1 MTR
Quality Assurance	ISO 9001:2015
Fugitive Emissions	ISO 15848-1

**API 607 - 6th Edition
CERTIFIED**



ASME Class 300 Flanged
Firesafe Tested to API-607
Direct Mount



DIMENSIONS (IN)

VALVE SIZE	A	B	C	D	E	VALVE Cv
1/2"	4.98	4.08	N/A	5.24	1.92	15
3/4"	4.98	4.08	N/A	5.24	2.50	45
1"	4.98	4.08	N/A	5.24	2.50	85
1-1/2"	4.98	4.08	N/A	5.24	3.51	275
2"	4.98	4.08	N/A	5.24	3.80	450
2-1/2"	9.02	13.31	10.43	10.55	4.57	700
3"	9.02	13.31	10.43	10.55	5.22	1,100
4"	10.20	14.49	11.26	11.42	6.18	2,200
6"	11.69	16.14	12.09	12.99	8.28	5,150

SERIES FD9-F3 300# Flanged Direct Mount

Firesafe

ON-OFF	
SIZE	MODEL
1/2"	FD9-3X-050/WEA1-XX
3/4"	FD9-3X-075/WEA1-XX
1"	FD9-3X-100/WEA1-XX
1-1/2"	FD9-3X-150/WEA1-XX
2"	FD9-3X-200/WEA1-XX
2-1/2"	FD9-3X-250/WEC1-XX
3"	FD9-3X-300/WEC1-XX
4"	FD9-3X-400/WEE1-XX
6"	FD9-3X-600/WEH1-XX

MODULATING	
SIZE	MODEL
1/2"	FD9-3X-050/WEA2-XX
3/4"	FD9-3X-075/WEA2-XX
1"	FD9-3X-100/WEA2-XX
1-1/2"	FD9-3X-150/WEA2-XX
2"	FD9-3X-200/WEA2-XX
2-1/2"	FD9-3X-250/WEC2-XX
3"	FD9-3X-300/WEC2-XX
4"	FD9-3X-400/WEE2-XX
6"	FD9-3X-400/WEJ2-XX

OPTIONS		Model No.
Suffix 1	Voltage / Accessory	
X	No Specials	
R	24VDC Electric Actuator	
S	220VAC Electric Actuator	
T	Other Voltage Electric Actuator	
W	12VDC Electric Actuator	
Y	24VAC Electric Actuator	
* No voltage specified on electric assemblies denotes 120VAC		
Suffix 2 Accessories		
X	No Specials	
1	HS1 High Speed Electric	
2	HS2 High Speed Electric	

Other options available - call for details
Actuators are sized based on full differential pressure with clean water. Consult the Application Sizing Guide for assistance with sizing actuators.

SAMPLE PART #
FD9C-3X-150/WEA1-XX

Firesafe |
Valve Series |
Carbon Steel |
End Connection |
Seat Material |
Valve Size |
TRIAC Actuator Series |
Actuator Size |
On-Off |

See automated part number matrix on back cover for complete part number and options.

SUFFIX 1: Voltage
SUFFIX 2: Options

HOW TO ORDER: Manual Valves

Series FD9-F3

1	Prefix
F	Firesafe Tested <i>(see valve series for details & testing)</i>

2	Valve Series
D9	Direct Mount Flanged

HOW TO ORDER MANUAL VALVES													
1	2	3	-	4	-	5	-	6	7	8	9	10	11
↓	↓	↓		↓		↓		↓	↓	↓	↓	↓	↓
F	D9	C	-	F3	-	0150	-	X	X	X			

3	Body/Ball/Stem Material
Blank	Valve Series Standard (316SST)
A	Alloy 20 Body, Ball, & Stem
C	Carbon Steel Body
L	Low Carbon 316L Stainless Steel
H	Carbon Body / Hastelloy Ball & Stem
Q	Carbon Body/Monel Ball & Stem
R	316 SST Body/Monel Ball & Stem

4	End Connection
F3	300# Flanged Ends

5	Valve Size	
0050	1/2"	0250 2-1/2"
0075	3/4"	0300 3"
0100	1"	0400 4"
0150	1-1/2"	0600 6"
0200	2"	

6	Seat, Lining & Trim Materials
X	Reinforced TFE Seats (RTFE)
P	Virgin TFE Seats (PTFE)
U	UHMWPE Seats
S	50/50 STFE Seats
C	25% CS Powder / 75% TFE Seats (CTFE)
T	TFM™-1600 Seats
A	50% SS Powder / 50% TFM™-1600 Seats (STFM)
M	MG1241 Seats
Z	PEEK Seats

7	Special Designations
X	No Specials/Series Standard Handle
G	Gear Operator
H	Gear Operator with Lockout Plate
O	Oval Handle <i>(available on some)</i>
S	Spring Return Handle <i>(Direct Mount Only)</i>
4	4" Lockable Stem Extension

8	Additional Specials
X	No Specials, Series Standard
O	Oxygen Cleaned
V	Vented Ball
E	Bonnet Extension Lockable Handle
D	Degreased & Bagged
A	Vented Ball, Degreased & Bagged
B	Vented Ball, Oxygen Cleaned

OPTIONS:

9	Special Designation
Blank	No Designation, Valve Series Standard
X	Multiple Option Designation
A	17-4 PH® Stem
H	Hard Coated (HMF) Ball

10	O-Ring
X	Multiple Option Designation
2	Markez® Z1028
4	Kalrez 4079
5	Chemraz 505
6	Kalrez 6375
7	Perlast® G75M
9	Chemraz® 564
B	Low Temp Buna
E	EPDM

11	Additional Specials
X	Multiple Option Designation
B	B7M Bolting
E	CE/PED Certified
M	Marine Epoxy Coating

17-4 PH® is a registered trademark of AK Steel Corporation.
 Chemraz® is a registered trademark of Greene, Tweed & Co.
 Markez® is a registered trademark of Marco Rubber & Plastic Products Inc.
 Perlast® is a registered trademark of Precision Polymer Engineering Limited
 Viton® is a registered trademark of E. I. DuPont de Nemours.
 TFM™ is a trademark of Dyneon™, a 3M Company.

HOW TO ORDER: Automated Valves w/ Options

1	Prefix
F	Firesafe Tested (see valve series for details & testing)

2	Valve Series
D9	Direct Mount Flanged

3	Body/Ball/Stem Material
Blank	Valve Series Standard (316SST)
A	Alloy 20 Body, Ball, & Stem
C	Carbon Steel Body
L	Low Carbon 316L Stainless Steel
H	Carbon Body / Hastelloy Ball & Stem
Q	Carbon Body/Monel Ball & Stem
R	316 SST Body/Monel Ball & Stem
R	316 SST Body/Monel Ball & Stem

4	End Connection
3	300# Flanged Ends

5	Seat, Lining & Trim Materials
X	Reinforced TFE Seats (RTFE)
P	Virgin TFE Seats (PTFE)
U	UHMWPE Seats
S	50/50 STFE Seats
C	25% CS Powder / 75% TFE Seats (CTFE)
T	TFM™-1600 Seats
A	50% SS Powder / 50% TFM™-1600 Seats (STFM)
M	MG1241 Seats
Z	PEEK Seats

6	Valve Size
050	1/2" 250 2-1/2"
075	3/4" 300 3"
100	1" 400 4"
150	1-1/2" 600 6"
200	2"

7 (A) Pneumatic Actuator - 3R, 3N, 3P Series			
3RC	3R10	3RM	3R850
3RD	3R20	3RN	3R1000
3RE	3R40	3RP	3R1200
3RF	3R80	3RR	3R1750
3RG	3R130	3RS	3R2400
3RH	3R200	3RT	3R2500
3RJ	3R300	3RU	3R2700
3RK	3R500	3RV	3R3500
3RL	3R700	3RW	3R3500

3R=Standard, 3N=Electroless Nickel Plating,
3P=Teflon™ (PTFE) Coating

7 (A) Pneumatic Actuator - S2 Series			
S2C	S2-052	S2G	S2-125
S2D	S2-063	S2H	S2-140
S2E	S2-083	S2J	S2-160
S2F	S2-105	S2K	S2-210

7 (B) Pneumatic Action	
D	Double Acting (DA)
S	Spring CW (5 springs)*
O	Spring CCW (5 springs)*
4	Spring CW (4 springs)**
F	Spring CCW (4 springs)**
6	Spring CW (6 springs)
H	Spring CCW (6 springs)

*2500 & 3500 80 psig spring
**2500 & 3500 60 psig spring

7 Actuator - Electric (On-Off)			
WEX1	WE-350	WEG1	WE-5200
WEA1	WE-500	WEH1	WE-6900
WEB1	WE-690	WEJ1	WE-10500
WEC1	WE-1350	WEK1	WE-17500
WED1	WE-1700	WEL1	WE-25900
WEE1	WE-2640	WEM1	WE-53000
WEF1	WE-4400	WEN1	WE-80000

7 Actuator - Electric (Modulating)			
WEA2	WEM-500	WEH2	WEM-6900
WEB2	WEM-690	WEJ2	WEM-10500
WEC2	WEM-1350	WEK2	WEM-17500
WED2	WEM-1700	WEL2	WEM-25900
WEE2	WEM-2640	WEM2	WEM-53000
WEF2	WEM-4400	WEN2	WEM-80000
WEG2	WEM-5200		

OPTIONS:

8	Accessories/Options	Model no.
X	No Specials	
A	TYPE 4 Solenoid 120VAC	TVCS-X411-4N-A120
B	TYPE 7 Solenoid 120VAC	TVC6-X411-7N-A120
C	Intrinsically Safe Solenoid	TVIS-X411-4N-D24
D	TYPE 4 Solenoid 24VDC	TVCS-X411-4N-D24
F	TYPE 7 Solenoid 24VDC	TVC6-X411-7N-D24
Q	TYPE 4 SST Solenoid 120VAC	TVSS-X411-4N-A120
M	TYPE 7 SST Solenoid 120VAC	TVSS-X411-7N-A120
L	TYPE 4 SST Solenoid 24VDC	TVSS-X411-4N-D24
N	TYPE 7 SST Solenoid 24VDC	TVSS-X411-7N-D24
P	Pneumatic Positioner	PPR-1200
E	Electro-Pneumatic Positioner	EPR-1000
R	24VDC Electric Actuator	
S	220VAC Electric Actuator	
T	Other Voltage Electric Actuator	
W	12VDC Electric Actuator	
Y	24VAC Electric Actuator	

* No voltage specified on electric assemblies denotes 120VAC

9	Accessories	Model no.
X	No Specials	
A	TYPE 4 Limit Switch	APL-210N
B	TYPE 7 Limit Switch	APL-510N
C	Intrinsically Safe Limit Switch	APL-218N
Q	TYPE 4 SST Limit Switch	APL-910N
M	TYPE 7 SST Limit Switch	APL-510S
H	NEMA 4 Std. Enc.	APL-310N
1	HS1 High Speed Electric	
2	HS2 High Speed Electric	

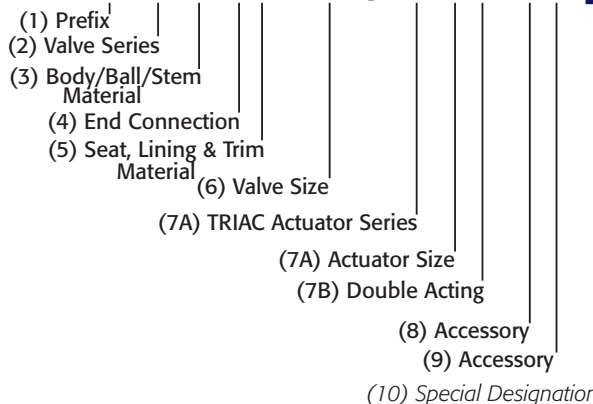
10	Special Designation
Blank	No Designation, Valve Series Standard
X	Multiple Option Designation
A	17-4 PH® Stem
E	CE/PED Certified
F	Viton® Seal for Pneumatic Actuators (0°F to 300°F)

17-4 PH® is a registered trademark of AK Steel Corporation.
Viton® is a registered trademark of E. I. DuPont de Nemours.
TFM™ is a trademark of Dyneon™, a 3M Company.

AUTOMATED VALVE

SAMPLE PART #

FD9C-3X-150/3RED-XX-



9955 International Blvd.
Cincinnati, Ohio 45246
www.atcontrols.com

PHONE (513) 247-5465
FAX (513) 247-5462
sales@atcontrols.com